

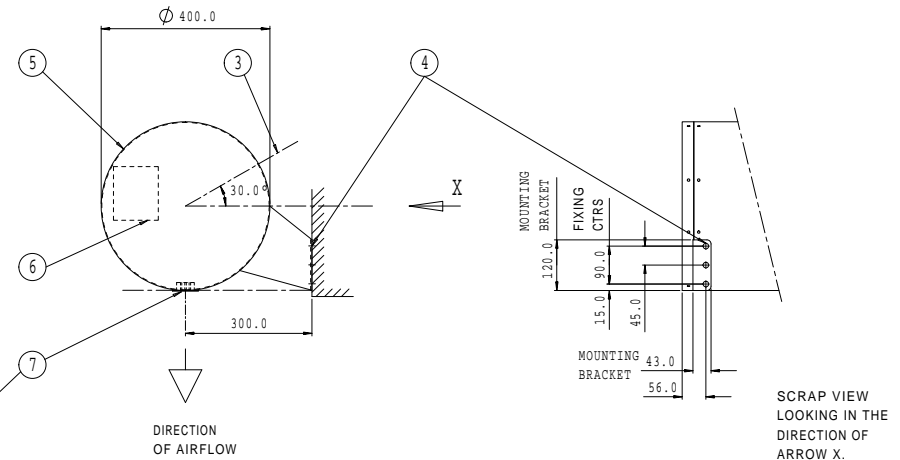
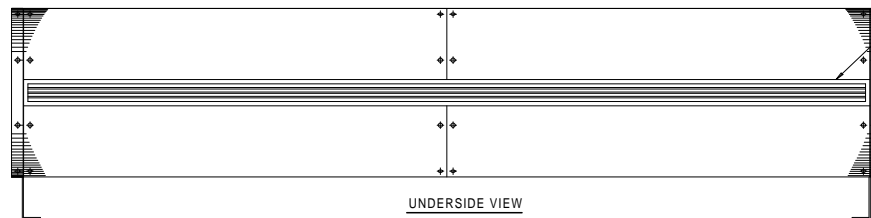
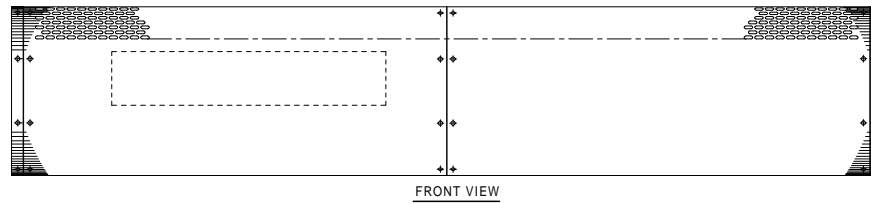
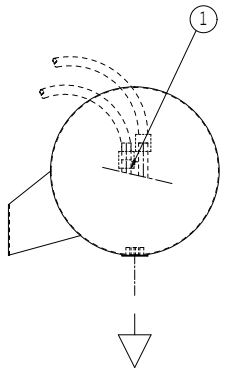
ITEM	DESCRIPTION
1	COIL CONNECTIONS ϕ 22mm OD FOR FLEXIBLE CONNECTIONS, (LPHW ONLY).
2	KNOCK OUT DETAIL FOR FLEXIBLE PIPE ENTRY, (REMOVE USING TIN SNIPS), (LPHW ONLY).
3	CABLE ENTRY ϕ 25mm & ϕ 13mm HOLES, (2-POSITIONS).
4	FIXING HOLES ϕ 13mm, (6-POSITIONS), (SUITABLE WALL FIXINGS BY OTHERS).
5	ACCESS PANEL.
6	CONTROL BOX.
7	DISCHARGE GRILLE.

OPTION:

LPHW UNITS:
 COIL TAILS CAN BE AT THE OPPOSITE END OF UNIT,
 (MUST BE SPECIFIED AT TIME OF ORDER).

NOTES:

- GENERAL TOLERANCE ON OVERALL DIMENSIONS: \pm 4mm.
- OUTER CASING FINISHED IN POWDERCOAT PAINT (COLOUR SPECIFIED BY THE CUSTOMER), OR BRUSHED STAINLESS STEEL.
- DISCHARGE GRILLE PAINTED TO MATCH OUTER CASING, OR WITH A NATURAL ANODISED ALUMINIUM FINISH.



The designs shown in these drawings are the original creations of Diffusion Environmental Systems which owns all the intellectual property rights therein. No reproduction may be made of the drawings nor may articles be made therefrom without prior written permission
ALL RIGHTS RESERVED
 C Diffusion 2011

REV.	MOD.NO.	DATE	DRN	CHKD	DRAWING TO B.S. 308:PARTS 1,2 AND 3.		DRAWING SCALE 1:1	PRINT SCALE N.T.S.	DRAWN MW	DIFFUSION 47 Central Avenue, West Molesey, Surrey, KT8 2QZ Telephone 020 8783-0033. Fax 020 8783 0140 email: diffusionheat@etenv.co.uk																																								
1	REQ5306	13-10-11	MW		WELDING TERMS AND SYMBOLS TO B.S. 499:PART 2.				DATE 13-10-11	TITLE GENERAL ARRANGEMENT - SALES CHAMELEON ϕ 400 2000 LPHW/ELECTRIC CIRCULAR DOOR HEATER HORIZONTAL (ALTERNATIVE SIDE MOUNTED VERSION).																																								
MODIFICATION					<table border="1"> <thead> <tr> <th colspan="2">GEOMETRIC TOLERANCE SYMBOLS</th> <th colspan="2">ALL DIMENSIONS IN MM THIRD ANGLE PROJECTION</th> </tr> <tr> <th>CHARACTERISTIC</th> <th>SYM</th> <th>CHARACTERISTIC</th> <th>SYM</th> </tr> </thead> <tbody> <tr> <td>Straightness</td> <td>—</td> <td>Angularity</td> <td>∠</td> </tr> <tr> <td>Flatness</td> <td>▭</td> <td>Run out</td> <td>∕</td> </tr> <tr> <td>Roundness</td> <td>○</td> <td>Position</td> <td>⊕</td> </tr> <tr> <td>Cylindricity</td> <td>⊘</td> <td>Concentricity</td> <td>⊙</td> </tr> <tr> <td>Profile of a line</td> <td>⌒</td> <td>Symmetry</td> <td>≡</td> </tr> <tr> <td>Profile of a surface</td> <td>⌒</td> <td>M.M.C.</td> <td>⊖</td> </tr> <tr> <td>Parallelism</td> <td>∥</td> <td>Squareness</td> <td>⊥</td> </tr> </tbody> </table>		GEOMETRIC TOLERANCE SYMBOLS		ALL DIMENSIONS IN MM THIRD ANGLE PROJECTION		CHARACTERISTIC	SYM	CHARACTERISTIC	SYM	Straightness	—	Angularity	∠	Flatness	▭	Run out	∕	Roundness	○	Position	⊕	Cylindricity	⊘	Concentricity	⊙	Profile of a line	⌒	Symmetry	≡	Profile of a surface	⌒	M.M.C.	⊖	Parallelism	∥	Squareness	⊥	TOLERANCES UNLESS OTHERWISE STATED DIMENSIONAL \pm 0,5 ANGULAR \pm 1°		MAT'L	FINISH	CHECKED	DATE	APP'D	JOB
GEOMETRIC TOLERANCE SYMBOLS		ALL DIMENSIONS IN MM THIRD ANGLE PROJECTION																																																
CHARACTERISTIC	SYM	CHARACTERISTIC	SYM																																															
Straightness	—	Angularity	∠																																															
Flatness	▭	Run out	∕																																															
Roundness	○	Position	⊕																																															
Cylindricity	⊘	Concentricity	⊙																																															
Profile of a line	⌒	Symmetry	≡																																															
Profile of a surface	⌒	M.M.C.	⊖																																															
Parallelism	∥	Squareness	⊥																																															
									DATE	DRG.NO.	A1/26431																																							