

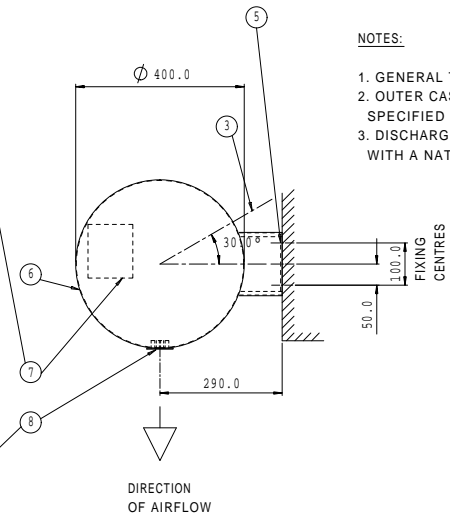
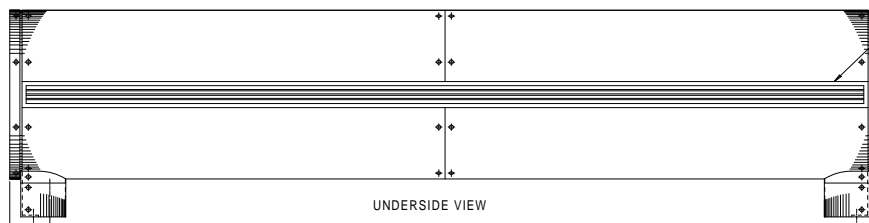
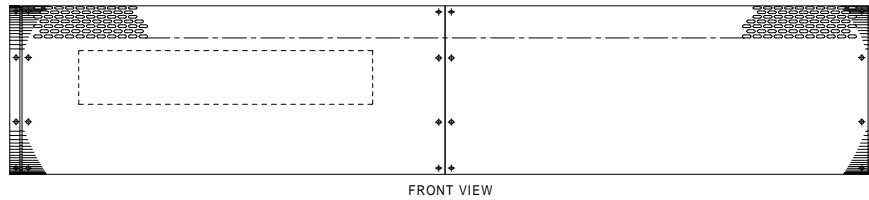
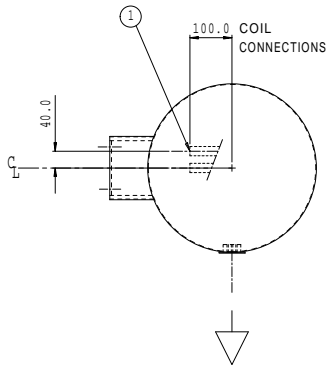
ITEM	DESCRIPTION
1	COIL CONNECTIONS $\varnothing$ 22mm OD (LPHW UNITS ONLY)
2	CABLE ENTRY (2-POSITIONS)
3	ALTERNATIVE CABLE ENTRY $\varnothing$ 25mm HOLE (2-POSITIONS)
4	PIPEWORK / CABLE SHROUD (REMOVABLE TO AID INSTALLATION)
5	FIXING HOLES $\varnothing$ 13mm (6-POSITIONS) (SUITABLE FIXINGS BY OTHERS)
6	ACCESS PANEL (2-SECTIONS)
7	CONTROL BOX
8	DISCHARGE GRILLE

OPTION:

- LPHW UNITS: COIL TAILS CAN BE AT THE OPPOSITE END OF UNIT.

NOTES:

1. GENERAL TOLERANCE ON OVERALL DIMENSIONS:  $\pm 4$ mm.
2. OUTER CASING FINISHED IN POWDERCOAT PAINT (COLOUR SPECIFIED BY THE CUSTOMER), OR BRUSHED STAINLESS STEEL.
3. DISCHARGE GRILLE PAINTED TO MATCH OUTER CASING, OR WITH A NATURAL ANODISED ALUMINIUM FINISH.



The designs shown in these drawings are the original creations of Diffusion Environmental Systems which owns all the intellectual property rights therein. No reproduction may be made of the drawings nor may articles be made therefrom without prior written permission  
**ALL RIGHTS RESERVED**  
**C Diffusion 2000**

REV.	MOD.NO.	DATE	DRN	CHKD	DRAWING TO B.S. 308:PARTS 1,2 AND 3.		DRAWING SCALE: 1:1	PRINT SCALE: N.T.S.	DRAWN MW	DIFFUSION 47 Central Avenue, West Molesey, Surrey, KT8 2QZ Telephone 020 8783-0033. Fax 020 8783 0140 email: diffusionheat@etenv.co.uk																																							
2	ECR3464	05-04-11	MW		WELDING TERMS AND SYMBOLS TO B.S. 499:PART 2.					DATE 17-09-10	TITLE GENERAL ARRANGEMENT - SALES CHAMELEON $\varnothing$ 400 2000 (2M) LPHW/ELECTRIC CIRCULAR DOOR HEATER HORIZONTAL (SIDE MOUNTED VERSION)																																						
MODIFICATION					<table border="1"> <thead> <tr> <th colspan="2">GEOMETRIC TOLERANCE SYMBOLS</th> <th colspan="2">ALL DIMENSIONS IN MM THIRD ANGLE PROJECTION</th> </tr> <tr> <th>CHARACTERISTIC</th> <th>SYM</th> <th>CHARACTERISTIC</th> <th>SYM</th> </tr> </thead> <tbody> <tr> <td>Straightness</td> <td>—</td> <td>Angularity</td> <td>∠</td> </tr> <tr> <td>Flatness</td> <td>∇</td> <td>Run out</td> <td>↗</td> </tr> <tr> <td>Roundness</td> <td>○</td> <td>Position</td> <td>⊕</td> </tr> <tr> <td>Cylindricity</td> <td>⊂</td> <td>Concentricity</td> <td>⊙</td> </tr> <tr> <td>Profile of a line</td> <td>⌒</td> <td>Symmetry</td> <td>≡</td> </tr> <tr> <td>Profile of a surface</td> <td>⌒</td> <td>M.M.C.</td> <td>⊖</td> </tr> <tr> <td>Parallelism</td> <td>//</td> <td>Squareness</td> <td>⊥</td> </tr> </tbody> </table>			GEOMETRIC TOLERANCE SYMBOLS		ALL DIMENSIONS IN MM THIRD ANGLE PROJECTION		CHARACTERISTIC	SYM	CHARACTERISTIC	SYM	Straightness	—	Angularity	∠	Flatness	∇	Run out	↗	Roundness	○	Position	⊕	Cylindricity	⊂	Concentricity	⊙	Profile of a line	⌒	Symmetry	≡	Profile of a surface	⌒	M.M.C.	⊖	Parallelism	//	Squareness	⊥	TOLERANCES UNLESS OTHERWISE STATED DIMENSIONAL $\pm 0.5$ ANGULAR $\pm 1^\circ$		MATERIAL FINISH		APP'D	JOB STANDARD OPTION
GEOMETRIC TOLERANCE SYMBOLS		ALL DIMENSIONS IN MM THIRD ANGLE PROJECTION																																															
CHARACTERISTIC	SYM	CHARACTERISTIC	SYM																																														
Straightness	—	Angularity	∠																																														
Flatness	∇	Run out	↗																																														
Roundness	○	Position	⊕																																														
Cylindricity	⊂	Concentricity	⊙																																														
Profile of a line	⌒	Symmetry	≡																																														
Profile of a surface	⌒	M.M.C.	⊖																																														
Parallelism	//	Squareness	⊥																																														
1	REQ5089	17-09-10	MW						DATE	DRG.NO. <b>A1/25364</b>																																							