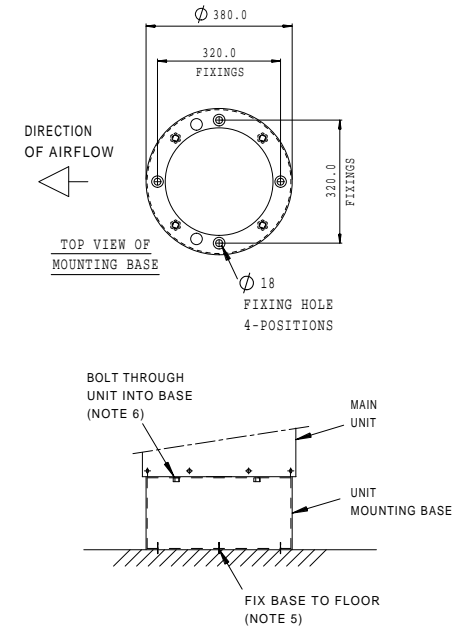
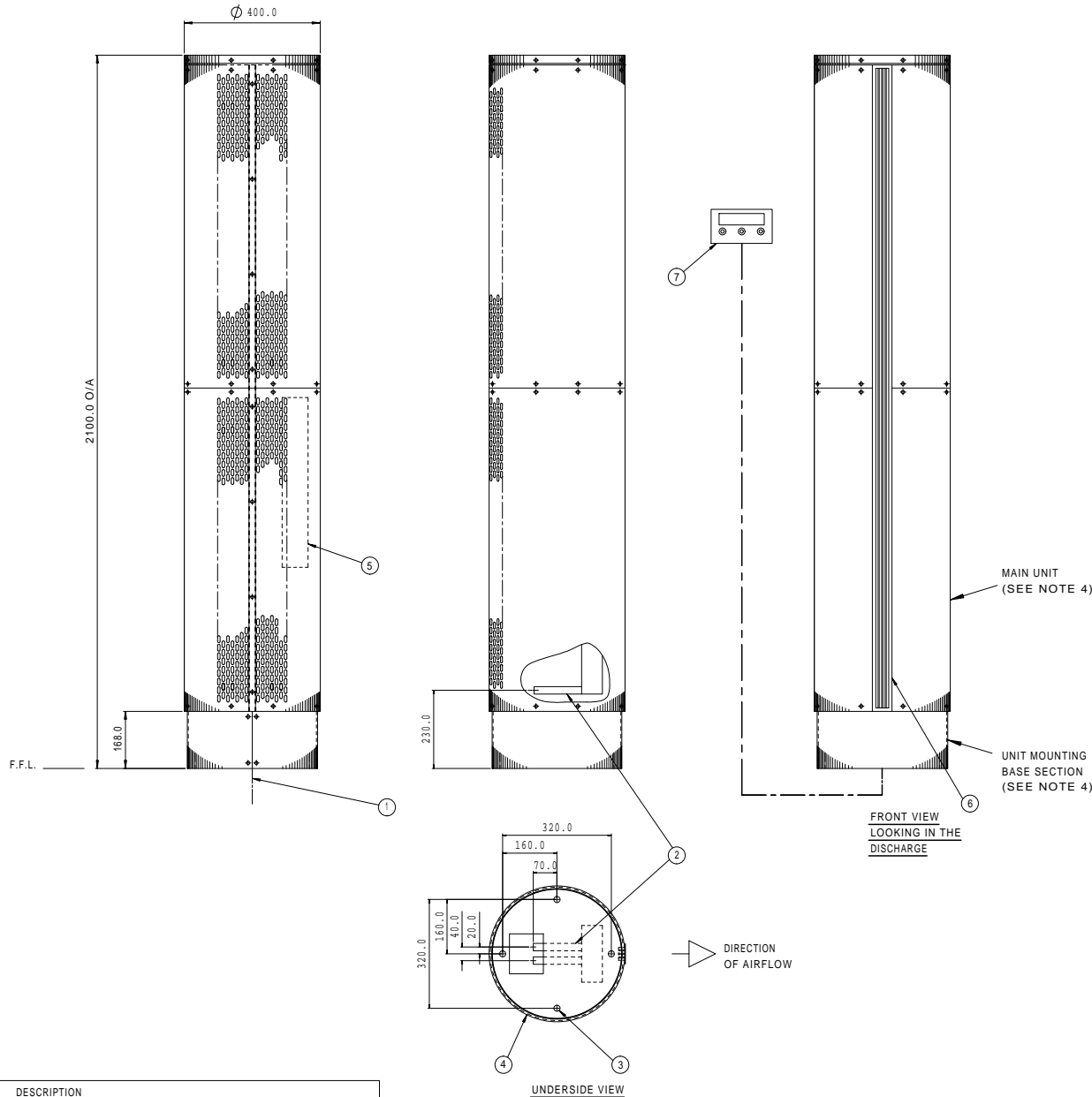


DO NOT SCALE

IF IN DOUBT ASK

© COPYRIGHT RESERVED ET ENVIRONMENTAL LTD.



NOTES:

1. GENERAL TOLERANCE ON OVERALL DIMENSIONS: +/-4mm.
2. OUTER CASING FINISHED IN POWDERCOAT PAINT, (COLOUR SPECIFIED BY CUSTOMER), OR, BRUSHED STAINLESS STEEL.
3. DISCHARGE GRILLE PAINTED TO MATCH OUTER CASING, OR, FINISHED IN ANODISED ALUMINIUM.
4. INSTALLATION: THE UNIT MOUNTING BASE SECTION IS FIXED TO THE FLOOR, THEN THE MAIN UNIT IS MOUNTED ON TOP.
5. UNIT MOUNTING BASE MUST BE INSTALLED FLAT AND LEVEL IN ALL DIRECTIONS USING 4-OFF SUITABLE FIXINGS (BY OTHERS)
6. UNIT FIXED TO MOUNTING BASE WITH 4-OFF M16 BOLTS AND WASHERS (NUTS WELDED TO TOP FLANGE OF MOUNTING BASE)
7. MOUNTING BASE MUST BE FITTED PAYING ATTENTION TO DIRECTION OF AIRFLOW (SEE UNDERSIDE VIEW).
8. OPTIONAL 3-PORT VALVE SUPPLIED BY DIFFUSION TO BE FITTED REMOTE TO UNIT BY OTHERS IF REQUIRED.

The designs shown in these drawings are the original creations of Diffusion Environmental Systems which owns all the intellectual property rights therein. No reproduction may be made of the drawings nor may articles be made therefrom without prior written permission
ALL RIGHTS RESERVED
C D(f)usion 2000

ITEM	DESCRIPTION
1	CABLE / PIPE ENTRY
2	COIL TAILS ϕ 22mm OD PLAIN TAILS (LPHW UNITS ONLY)
3	FLOOR FIXING HOLES ϕ 18mm (4-POSITIONS)
4	ACCESS PANEL (4-POSITIONS)
5	CONTROL BOX
6	DISCHARGE GRILLE
7	WALL MOUNTED CONTROL PANEL

REV.	MOD.NO.	DATE	DRN	CHKD	DRAWING TO B.S. 308:PARTS 1,2 AND 3. WELDING TERMS AND SYMBOLS TO B.S. 499:PART 2.																																								
2	ELECTRIC OPTION ADDED.	11-01-11	MW																																										
MODIFICATION					<table border="1"> <thead> <tr> <th>GEOMETRIC TOLERANCE SYMBOLS</th> <th>CHARACTERISTIC</th> <th>SYM</th> <th>CHARACTERISTIC</th> <th>SYM</th> </tr> </thead> <tbody> <tr> <td>Straightness</td> <td>—</td> <td>Angularity</td> <td>∠</td> <td></td> </tr> <tr> <td>Flatness</td> <td>▭</td> <td>Run out</td> <td>↗</td> <td></td> </tr> <tr> <td>Roundness</td> <td>○</td> <td>Position</td> <td>⊕</td> <td></td> </tr> <tr> <td>Cylindricity</td> <td>∩</td> <td>Concentricity</td> <td>⊙</td> <td></td> </tr> <tr> <td>Profile of a line</td> <td>⌒</td> <td>Symmetry</td> <td>≡</td> <td></td> </tr> <tr> <td>Profile of a surface</td> <td>⌒</td> <td>M.M.C.</td> <td>⊖</td> <td></td> </tr> <tr> <td>Parallelism</td> <td>∥</td> <td>Squareness</td> <td>⊥</td> <td></td> </tr> </tbody> </table>	GEOMETRIC TOLERANCE SYMBOLS	CHARACTERISTIC	SYM	CHARACTERISTIC	SYM	Straightness	—	Angularity	∠		Flatness	▭	Run out	↗		Roundness	○	Position	⊕		Cylindricity	∩	Concentricity	⊙		Profile of a line	⌒	Symmetry	≡		Profile of a surface	⌒	M.M.C.	⊖		Parallelism	∥	Squareness	⊥	
GEOMETRIC TOLERANCE SYMBOLS	CHARACTERISTIC	SYM	CHARACTERISTIC	SYM																																									
Straightness	—	Angularity	∠																																										
Flatness	▭	Run out	↗																																										
Roundness	○	Position	⊕																																										
Cylindricity	∩	Concentricity	⊙																																										
Profile of a line	⌒	Symmetry	≡																																										
Profile of a surface	⌒	M.M.C.	⊖																																										
Parallelism	∥	Squareness	⊥																																										
1	REQ4543	17-09-07	MW		ALL DIMENSIONS IN MM THIRD ANGLE PROJECTION TOLERANCES UNLESS OTHERWISE STATED DIMENSIONAL \pm 0.5 ANGULAR \pm 1°																																								

DRAWING SCALE: 1:1	PRINT SCALE: N.T.S.	DRAWN	MW	DATE	7
				17-09-07	47 Central Avenue, West Molesey, Surrey, KT8 2QZ Telephone 020 8783-0033. Fax 020 8783 0140 email: diffusion@etenv.co.uk
MAT'L		CHECKED			TITLE GENERAL ARRANGEMENT - SALES CHAMELEON ϕ 400 2100 (2.1m) LPHW /ELECTRIC. CIRCULAR DOOR HEATER VERTICAL (BASE MOUNTED VERSION)
FINISH		DATE			JOB STANDARD
		APP'D			DRG.NO. A1/21837
		DATE			