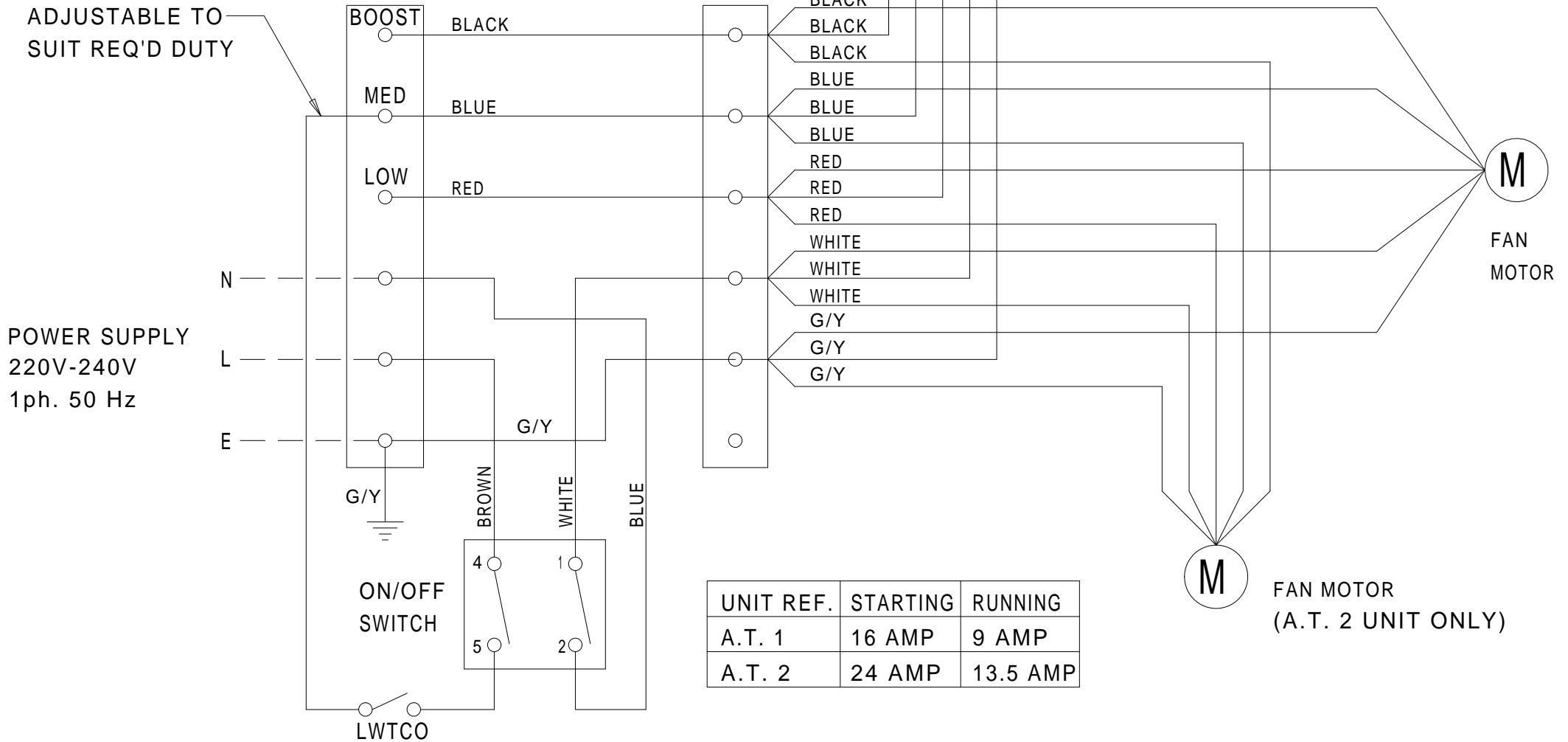


NOTES:

1. FIELD WIRING SHOWN THUS: - - - - -
 2. G/Y - GREEN/YELLOW
 3. INTERNAL WIRES TO BS.4808 COPPER
24/0,2(0,75²mm)
- LWTCO - LOW WATER TEMPERATURE CUT OUT (OPTIONAL)



REV.	MOD.NO.	DATE	DRN	CHKD	DRAWING TO B.S. 308:PARTS 1,2 AND 3.		SCALE	N.T.S.	DRAWN	ANR	DIFFUSION ENVIRONMENTAL LTD.																																						
3	ECR 1667	7-4-98	ANR	CDS	WELDING TERMS AND SYMBOLS TO B.S. 499:PART 2.		MAT'L		DATE 2-3-98		47 Central Avenue, West Molesey, Surrey, KT8 2QZ Telephone 0181-783-0033. Fax 0181-783-0140																																						
MODIFICATION					<table border="1"> <thead> <tr> <th colspan="4">GEOMETRIC TOLERANCE SYMBOLS</th> </tr> <tr> <th>CHARACTERISTIC</th> <th>SYM</th> <th>CHARACTERISTIC</th> <th>SYM</th> </tr> </thead> <tbody> <tr> <td>Straightness</td> <td>—</td> <td>Angularity</td> <td>∠</td> </tr> <tr> <td>Flatness</td> <td>▭</td> <td>Run out</td> <td>↗</td> </tr> <tr> <td>Roundness</td> <td>○</td> <td>Position</td> <td>⊕</td> </tr> <tr> <td>Cylindricity</td> <td>∅</td> <td>Concentricity</td> <td>⊗</td> </tr> <tr> <td>Profile of a line</td> <td>⤴</td> <td>Symmetry</td> <td>≡</td> </tr> <tr> <td>Profile of a surface</td> <td>⤵</td> <td>M.M.C.</td> <td>⊖</td> </tr> <tr> <td>Parallelism</td> <td>//</td> <td>Squareness</td> <td>⊥</td> </tr> </tbody> </table>				GEOMETRIC TOLERANCE SYMBOLS				CHARACTERISTIC	SYM	CHARACTERISTIC	SYM	Straightness	—	Angularity	∠	Flatness	▭	Run out	↗	Roundness	○	Position	⊕	Cylindricity	∅	Concentricity	⊗	Profile of a line	⤴	Symmetry	≡	Profile of a surface	⤵	M.M.C.	⊖	Parallelism	//	Squareness	⊥	TOLERANCES UNLESS OTHERWISE STATED		DATE 3-4-98		TITLE WIRING DIAGRAM A.T. 1 & A.T. 2
GEOMETRIC TOLERANCE SYMBOLS																																																	
CHARACTERISTIC	SYM	CHARACTERISTIC	SYM																																														
Straightness	—	Angularity	∠																																														
Flatness	▭	Run out	↗																																														
Roundness	○	Position	⊕																																														
Cylindricity	∅	Concentricity	⊗																																														
Profile of a line	⤴	Symmetry	≡																																														
Profile of a surface	⤵	M.M.C.	⊖																																														
Parallelism	//	Squareness	⊥																																														
2	ECR 1664	3-4-98	ANR	CDS	ALL DIMENSIONS IN MM THIRD ANGLE PROJECTION			FINISH	APP'D	CDS	JOB																																						
1	-	22-1-91	RH	PRG	DIMENSIONAL ± 0,5 ANGULAR ± 1°						DATE 3-4-98		DRG.NO. A3/3053																																				