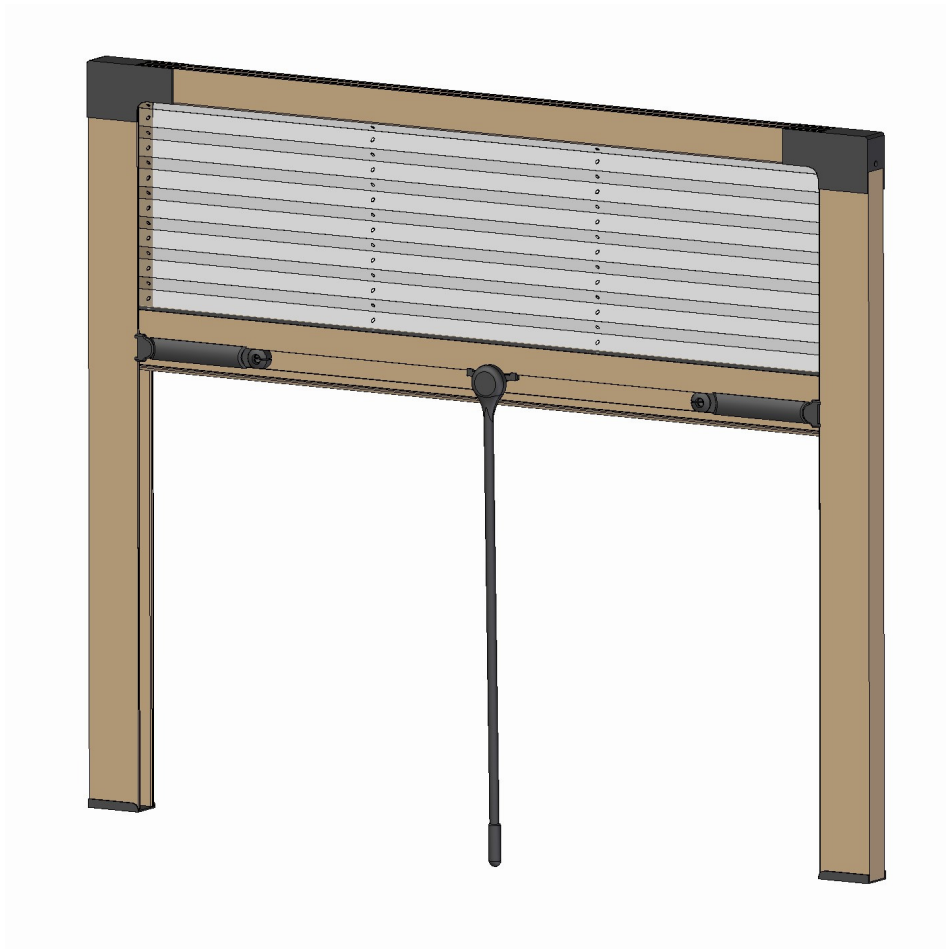


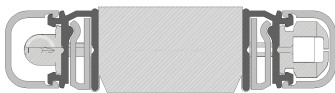
PRINCIPAL CHARACTERISTICS

- 1) slider with wheel
- 2) lower 4 mm track

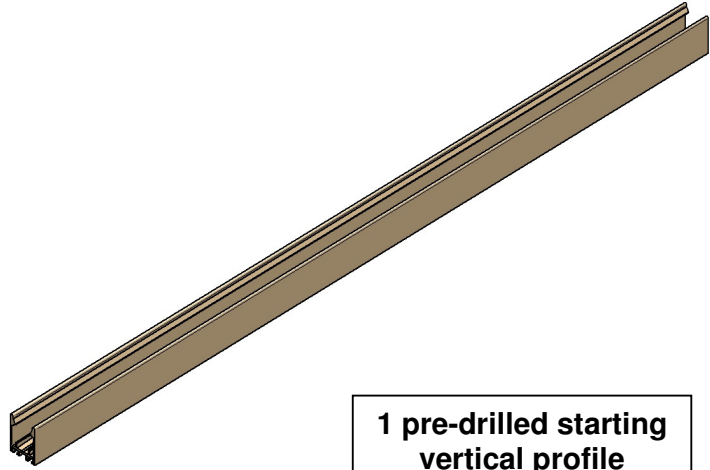


COMPONENTS

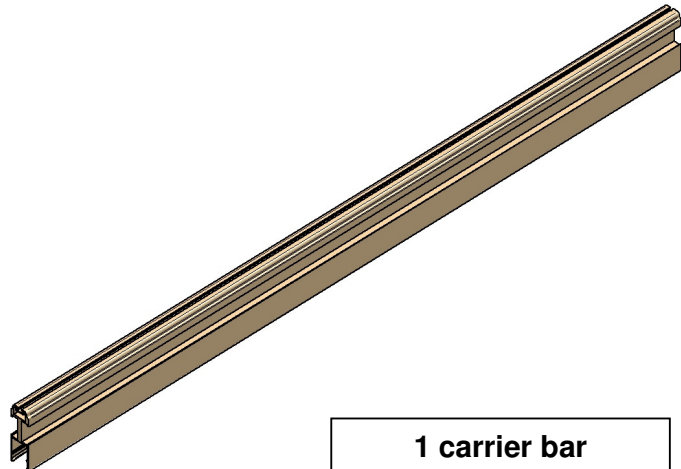
1 SCREEN KIT



1 PROFILES KIT

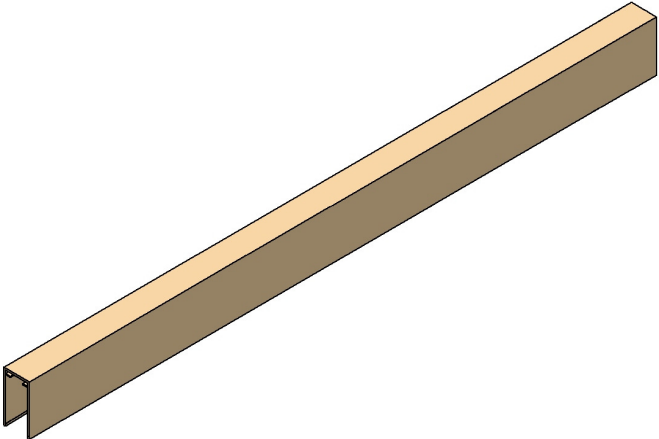


1 pre-drilled starting
vertical profile



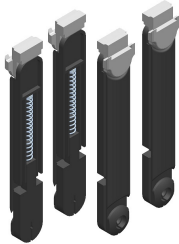
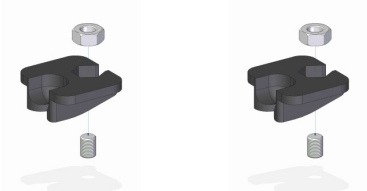
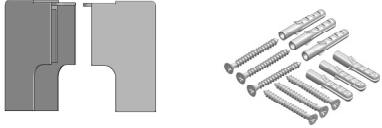
1 carrier bar

TRACKS KIT



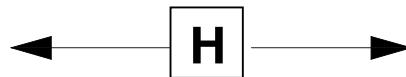
2 side tracks

ACCESSORIES KIT



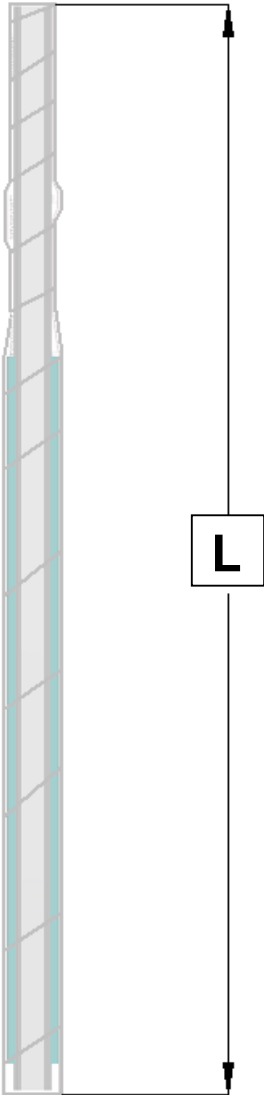
AVAILABLE HEIGHTS

- 1st from 0 cm to 70 cm
- 2nd from 70 cm to 100 cm
- 3rd from 100 cm to 130 cm
- 4th from 130 cm to 180 cm
- 5th from 180 cm to 250 cm



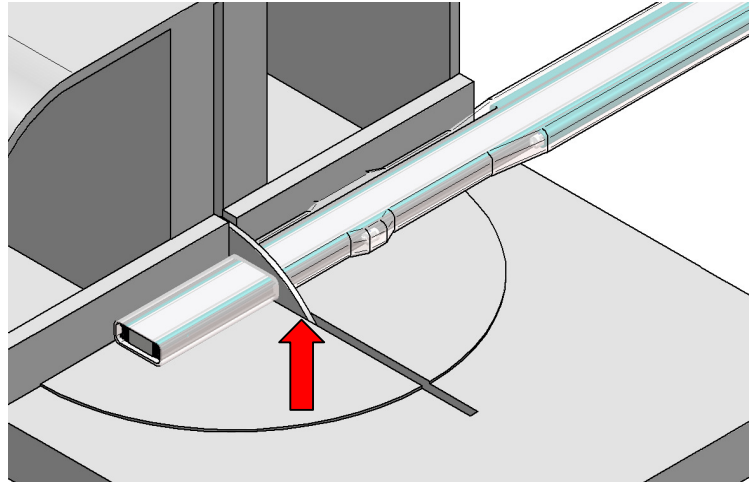
AVAILABLE WIDTHS

- 1st - 205
- 2nd - 175
- 3rd - 145
- 4th - 115
- 5th - 85



1st CUT CUTTING THE TWO SCREEN KITS TO THE REQUIRED HEIGHT – MAXIMUM REDUCTION 30 CM

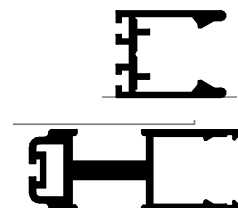
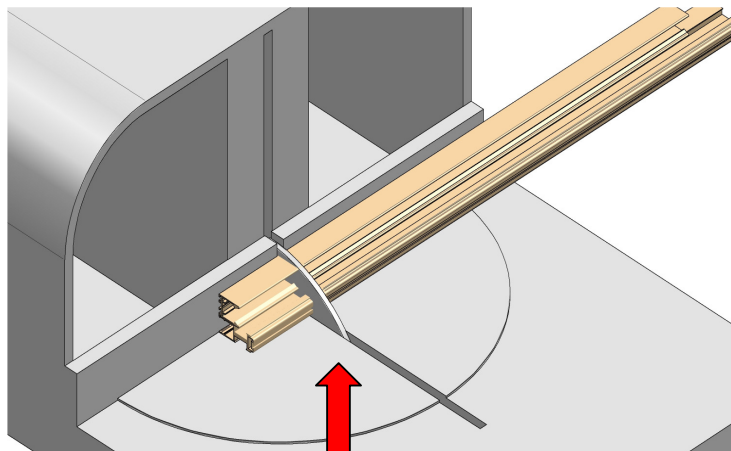
- from 205 cm → to 175 cm
- from 175 cm → to 145 cm
- from 145 cm → to 115 cm
- from 115 cm → to 85 cm
- from 85 → to 55 cm



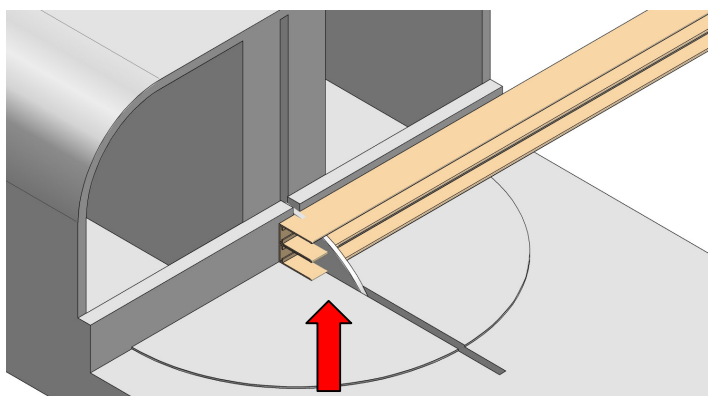
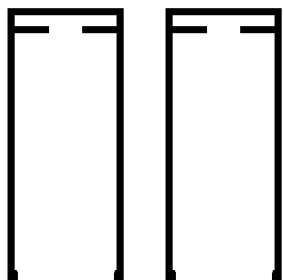
Subtract 1.8 cm from the daylight size

2nd CUT CUTTING THE PROFILES KIT

- from 205 cm → to 175 cm
- from 175 cm → to 145 cm
- from 145 cm → to 115 cm
- from 115 cm → to 85 cm
- from 85 cm → to 55 cm



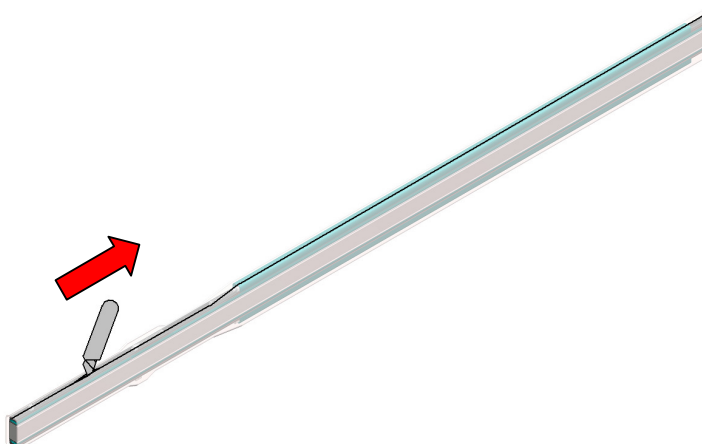
Subtract 2.5 cm (6) from the daylight size
3rd CUT CUTTING THE TRACKS KIT



Subtract 2.7 cm from the daylight size

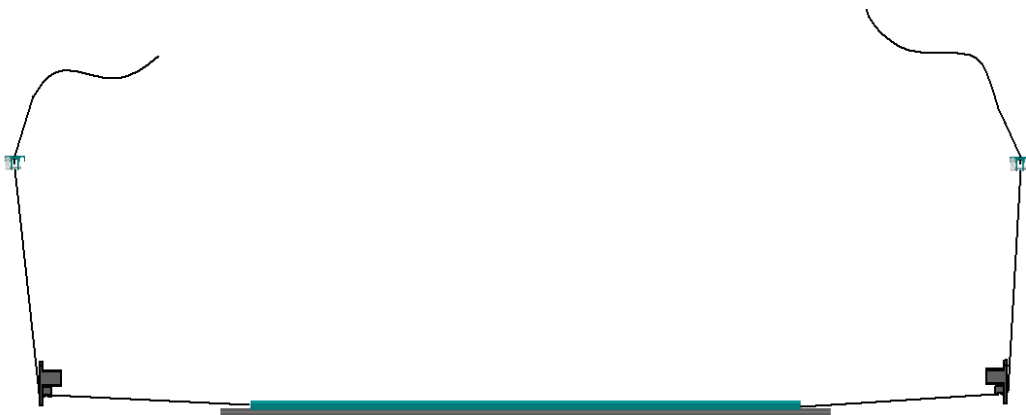
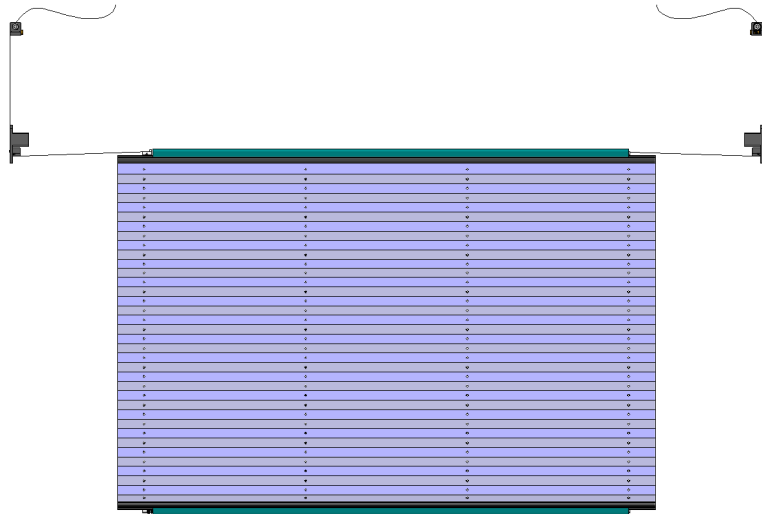
OPENING THE PACKAGING

- Open the packaging of the two kits, using a cutter or a pair of scissors, and following the line of the fabric holder
- Be careful not to damage the cords and mesh



ARRANGING THE CORDS

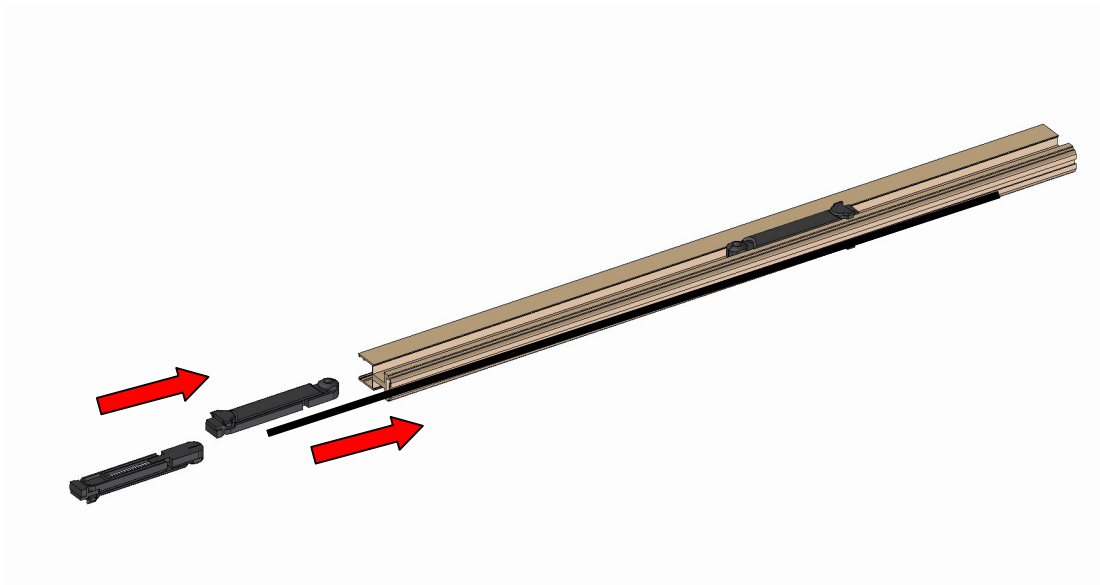
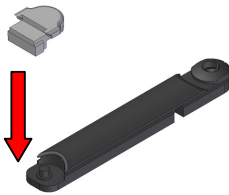
- After opening the packaging of the two kits, make sure that the screen slides smoothly. It may be necessary to rearrange the cords by pulling them, so that the screen kit becomes perfectly compact





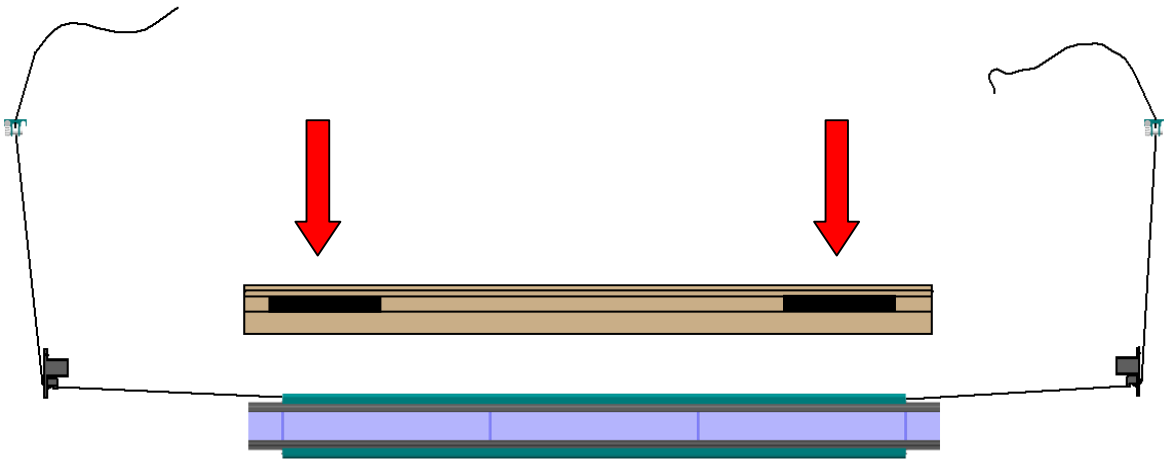
ASSEMBLING THE CARRIER BAR STEP 1 - SLIDERS

- After cutting, complete the carrier bar by inserting the sliders and brush



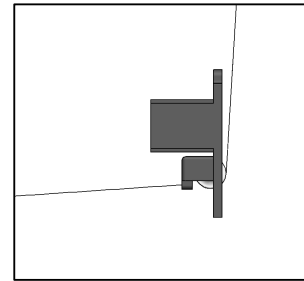
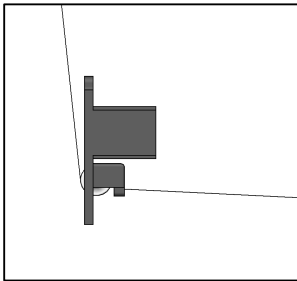
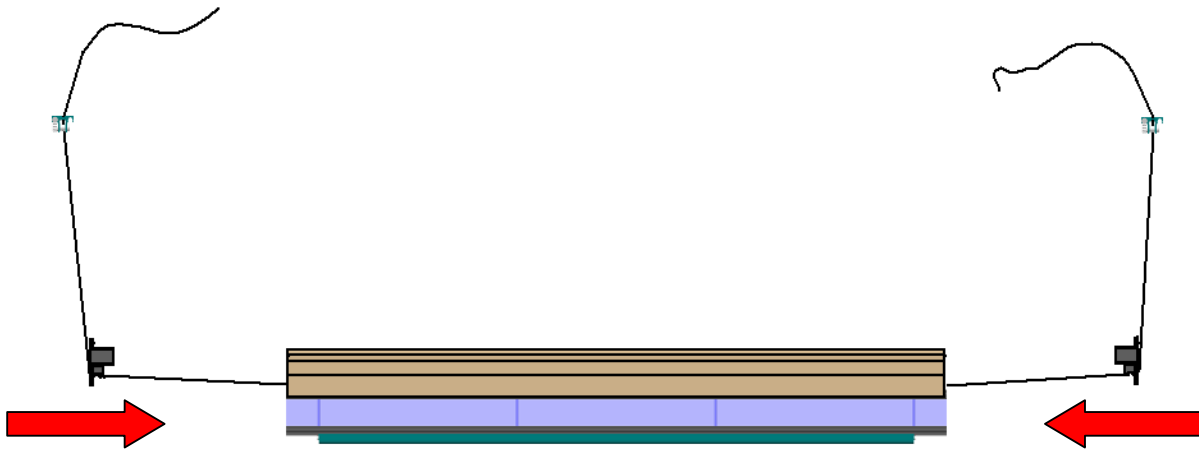
ASSEMBLING THE CARRIER BAR STEP 2 – SCREEN PACK

- Snap-fit the carrier bar onto the screen kit, on the side from which the cords emerge



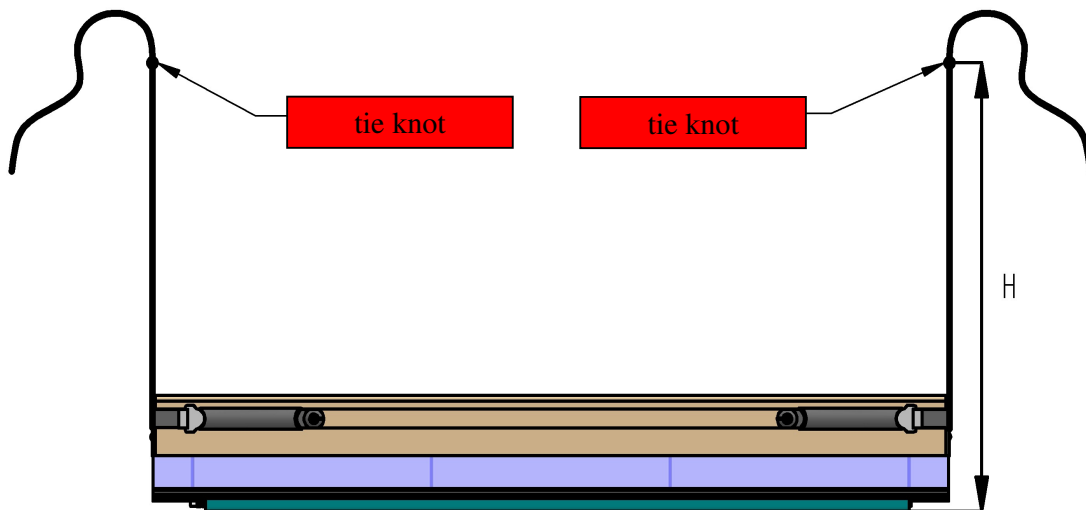
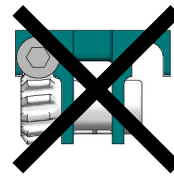
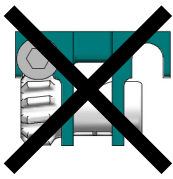
INSERT THE TERMINAL PULLEYS ONTO THE TWO CARRIER BARS

- Press-fit the terminal pulleys into their respective locations



CALCULATING THE WIDTH

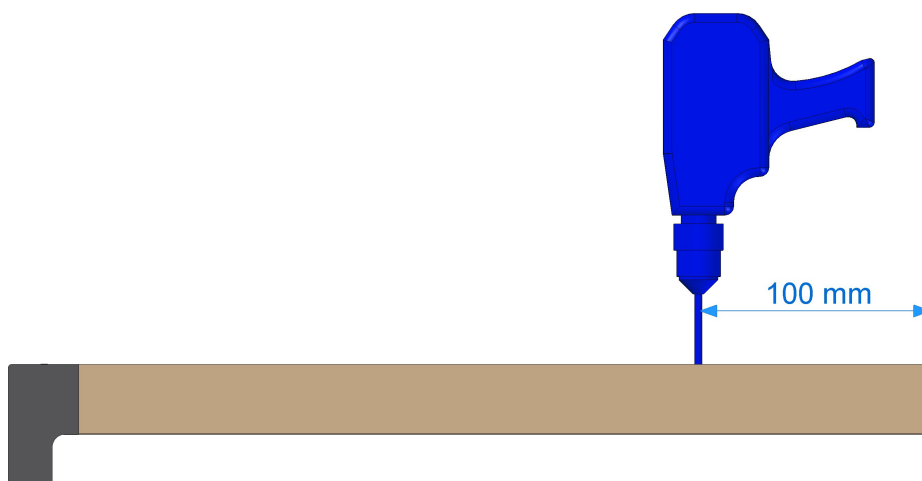
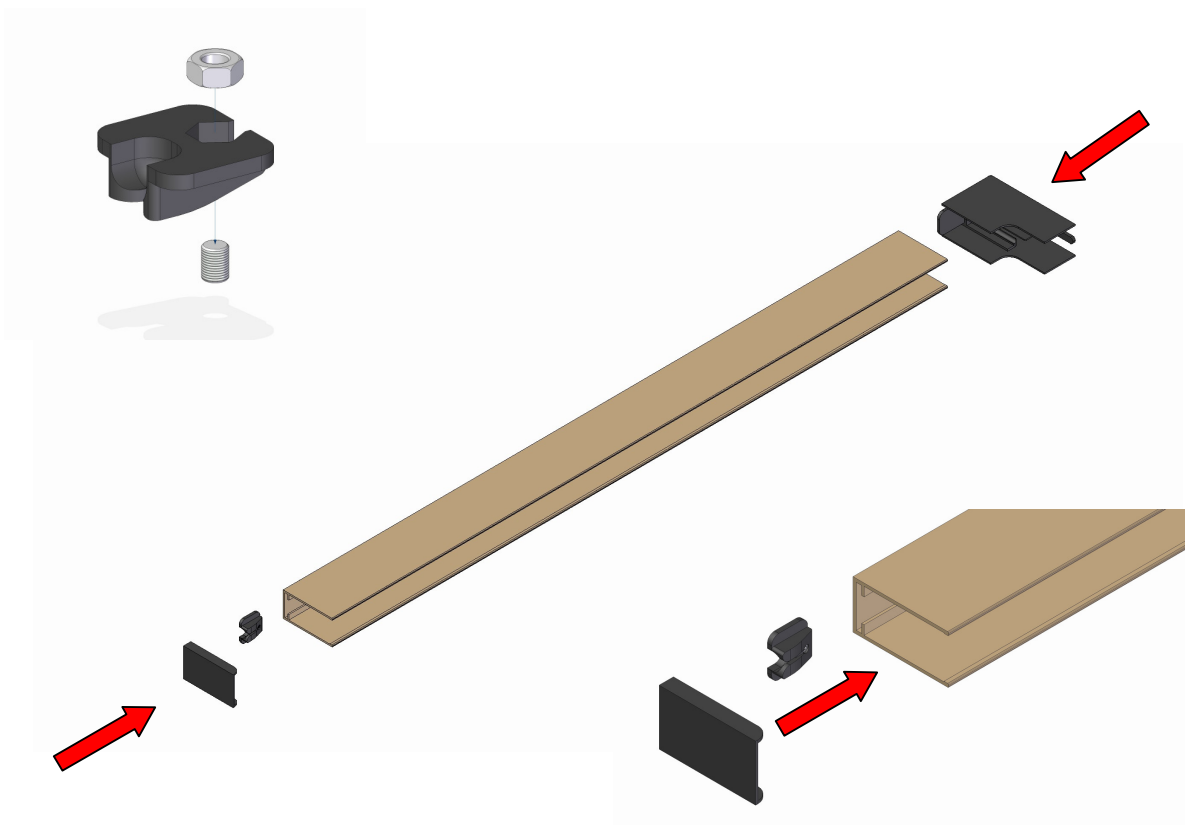
- 1) remove the adaptors
- 2) tie the knots, subtracting 2 cm from the measurement provided



H – 2 cm FROM THE MEASUREMENT PROVIDED

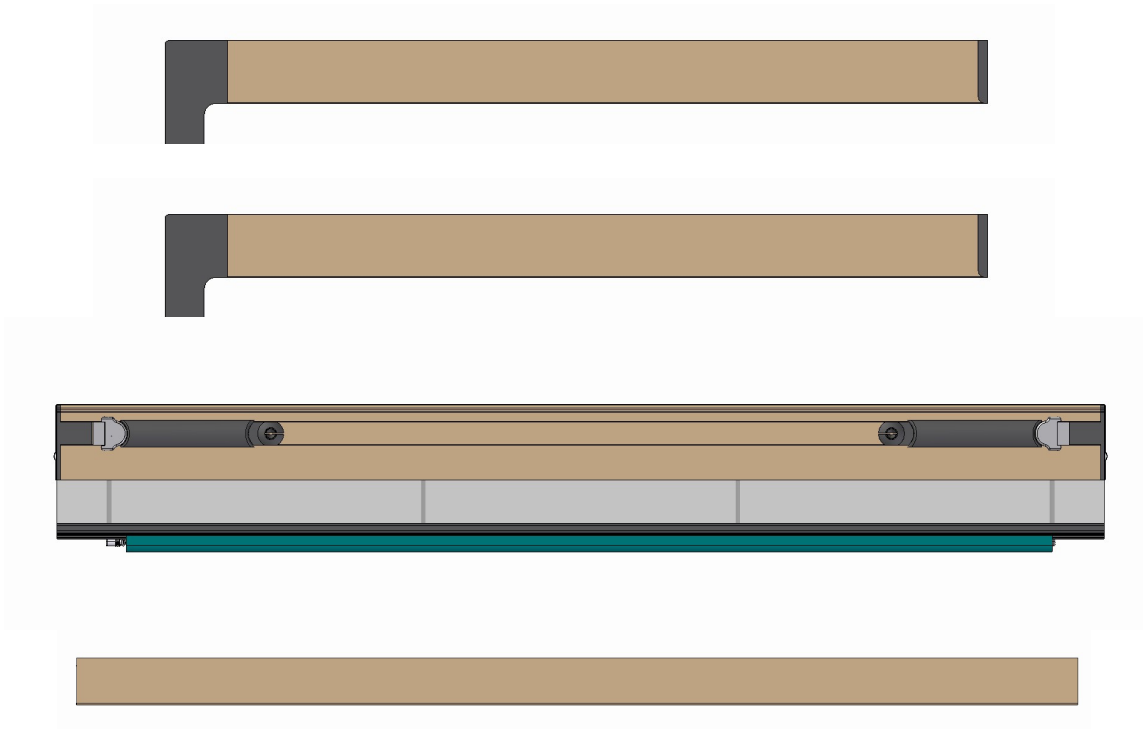
ASSEMBLING THE SIDE TRACKS

- 1) complete the cord-tensioning cursors
- 2) insert the cursors into the top track as shown in the diagram
- 3) insert the special angle pieces
- 4) drill the first hole into the guides, ensuring that the first hole is at least 100 mm from the bottom end



PACKAGING

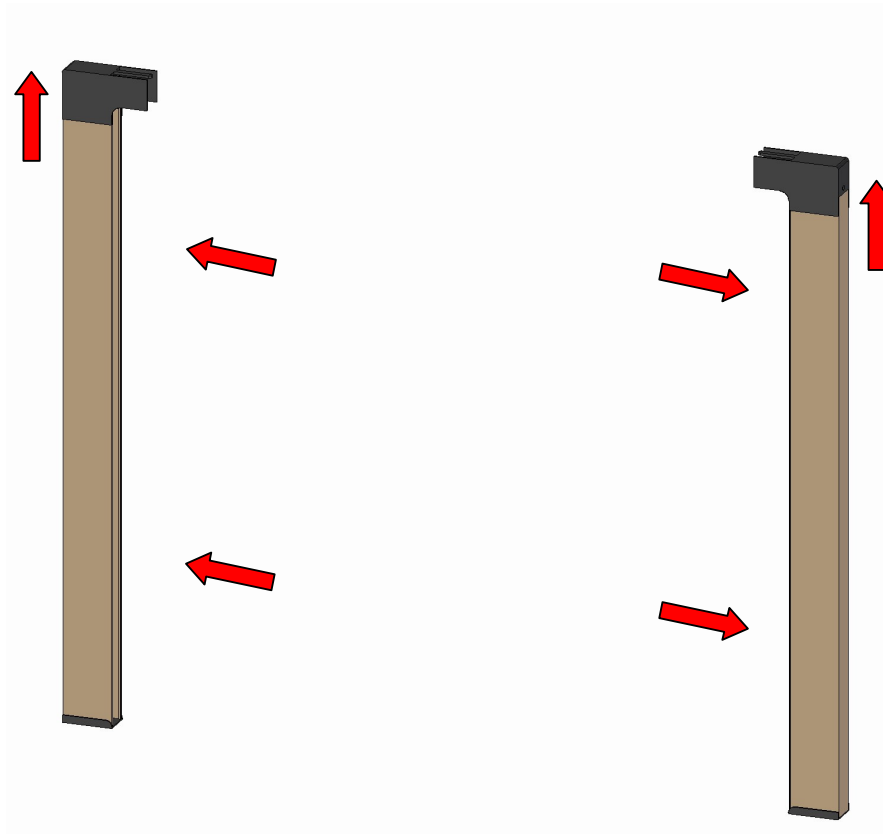
Arrange the guides and the vertical profile along the axis of the mosquito screen and fix into position. Complete the pack with the standard accessories, adding everything needed for assembly (accessories and instructions).



INSTALLATION

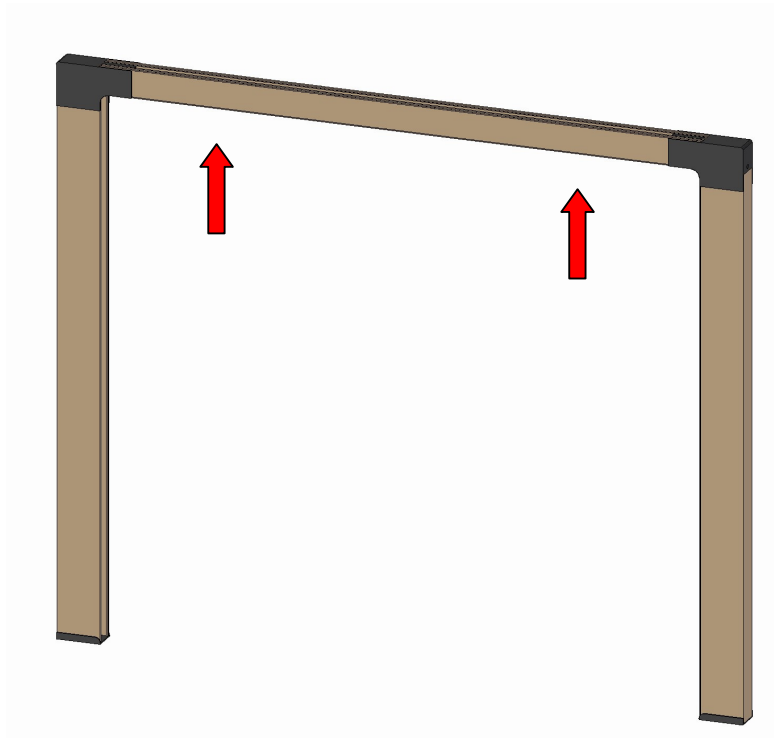
INSTALLING THE TRACKS

- Remove the backing paper from the double-sided adhesive tape and fix the tracks
- Correct any out-of-square defects by sliding the corner pieces



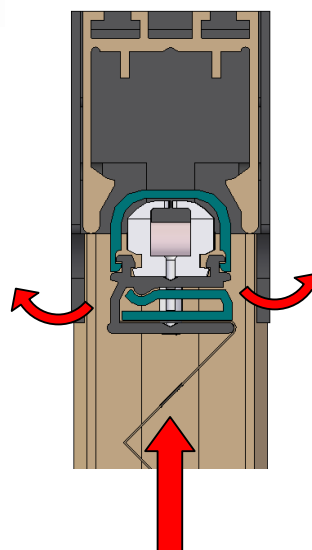
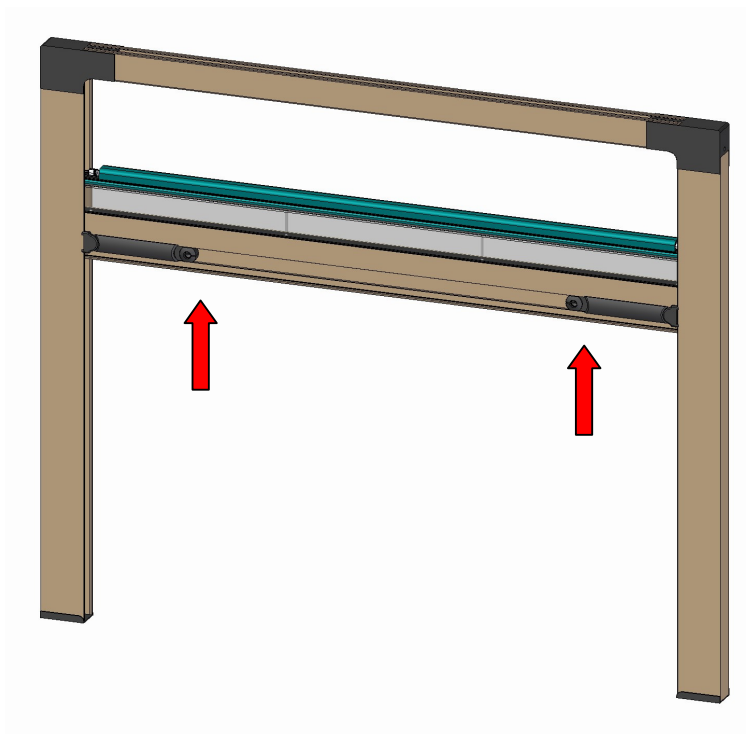
FIXING THE START VERTICAL PROFILE

- Insert the start vertical profile into the respective locations on the corner pieces.
- Drill the holes necessary for fixing (in correspondence with the holes on the vertical profile)
- Fix using the screws supplied.



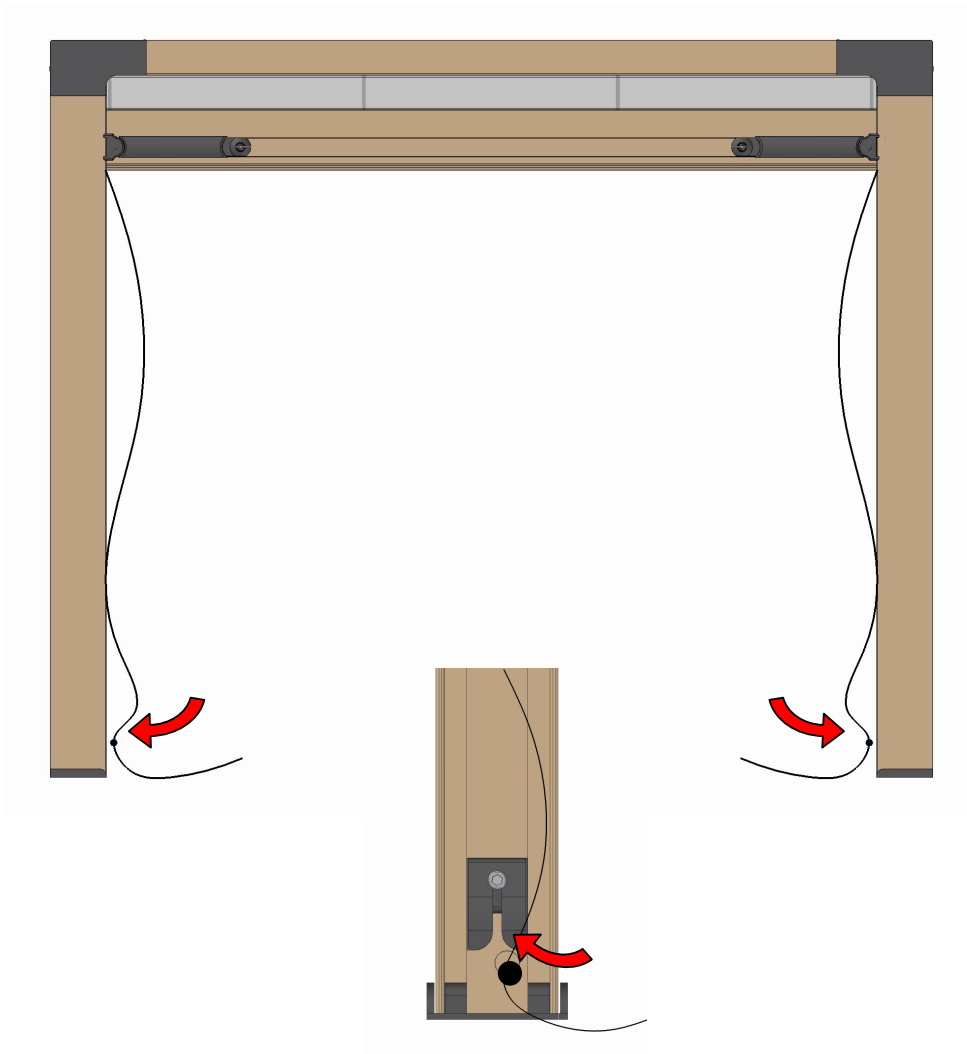
INSERTING AND CLIPPING ON THE SCREEN

- Insert the screen kit into the tracks
- Slide the screen kit towards the start vertical profile
- Insert the screen kit into the start vertical profile until it snaps into position



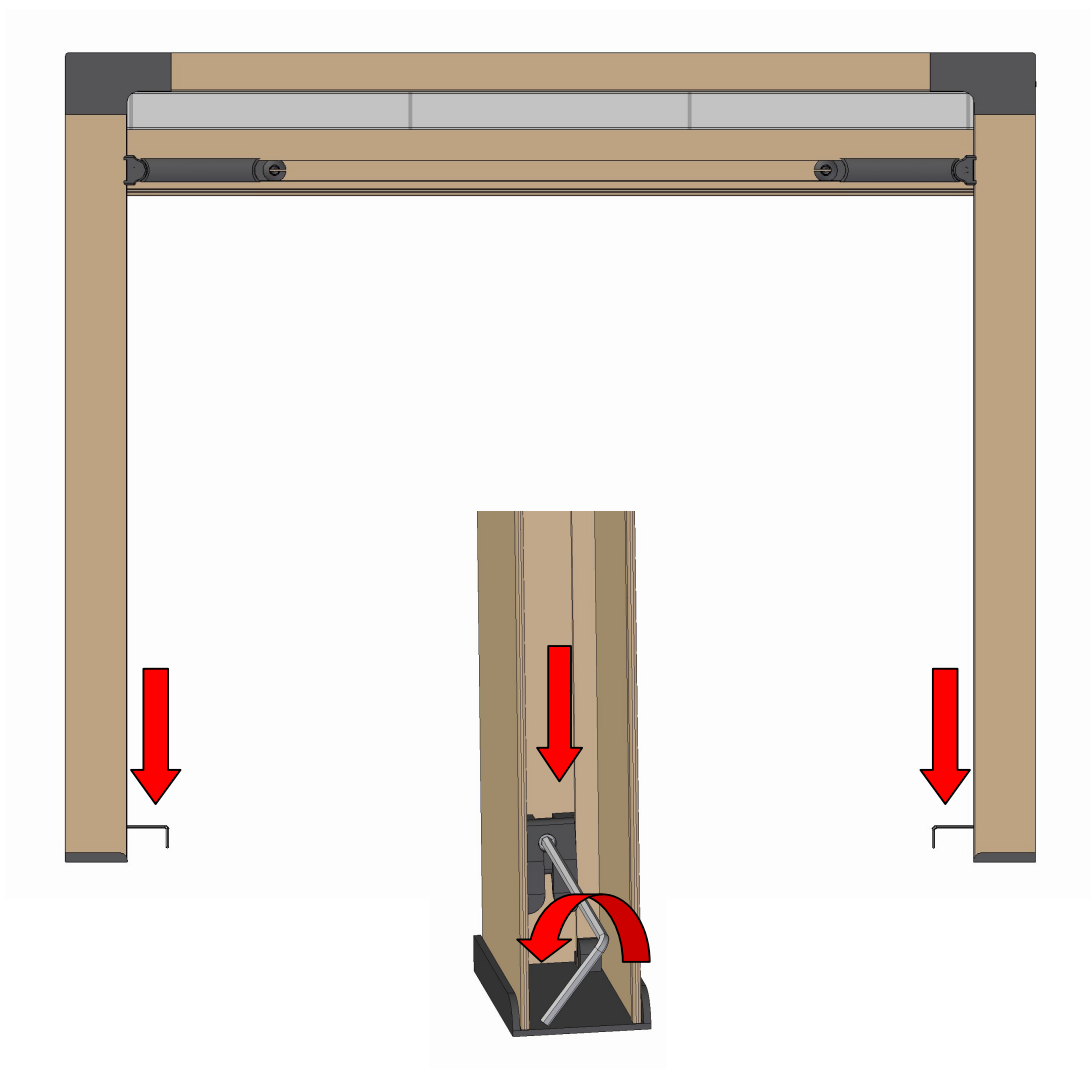
INSERTING THE CORD STOPS

- Insert the two knots into the apertures on the cord-tensioning cursor.



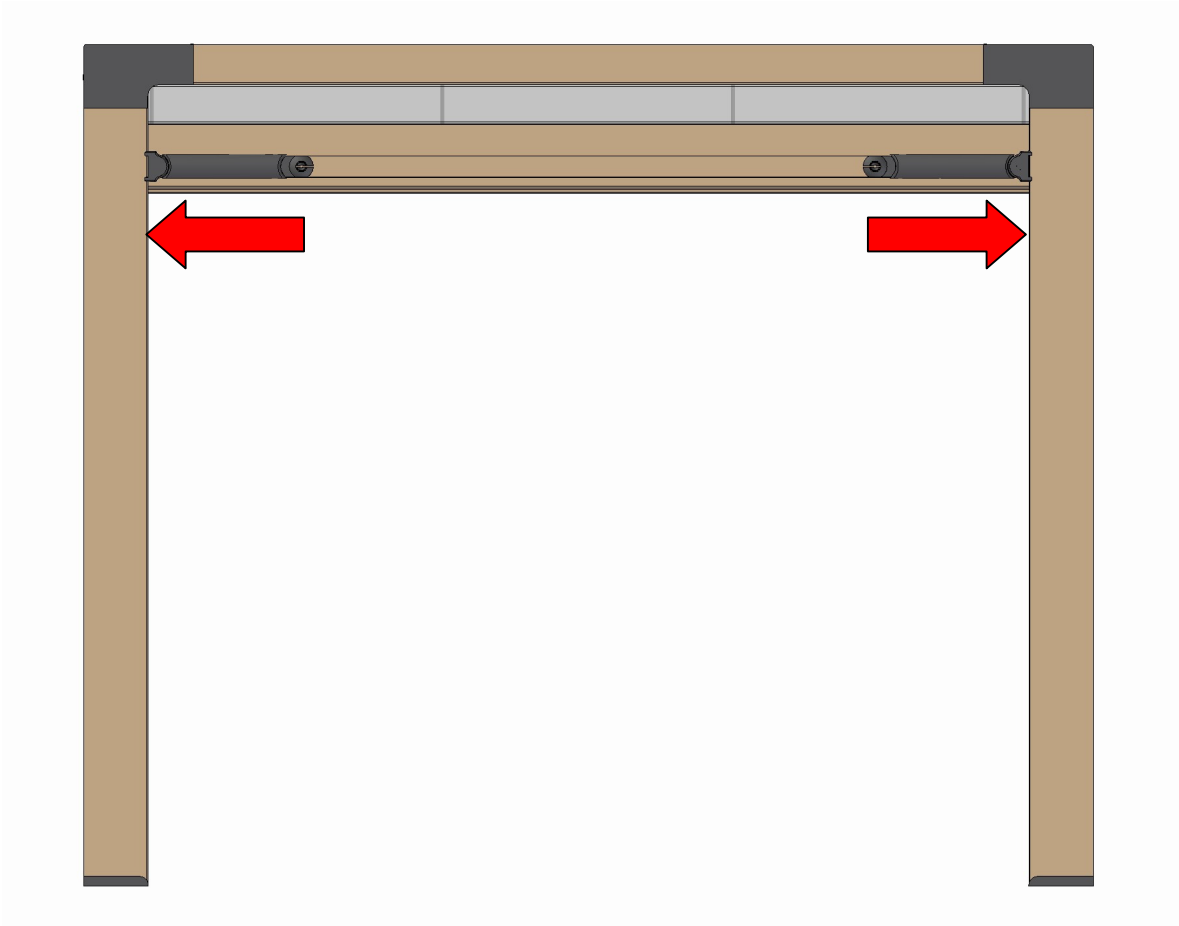
CORD ADJUSTMENT

- Using the tool provided, unscrew the screw on the cursors
- Tighten the cords by moving the cursors, and then retighten the screws
- Cut the excess cord length after having completed adjustment



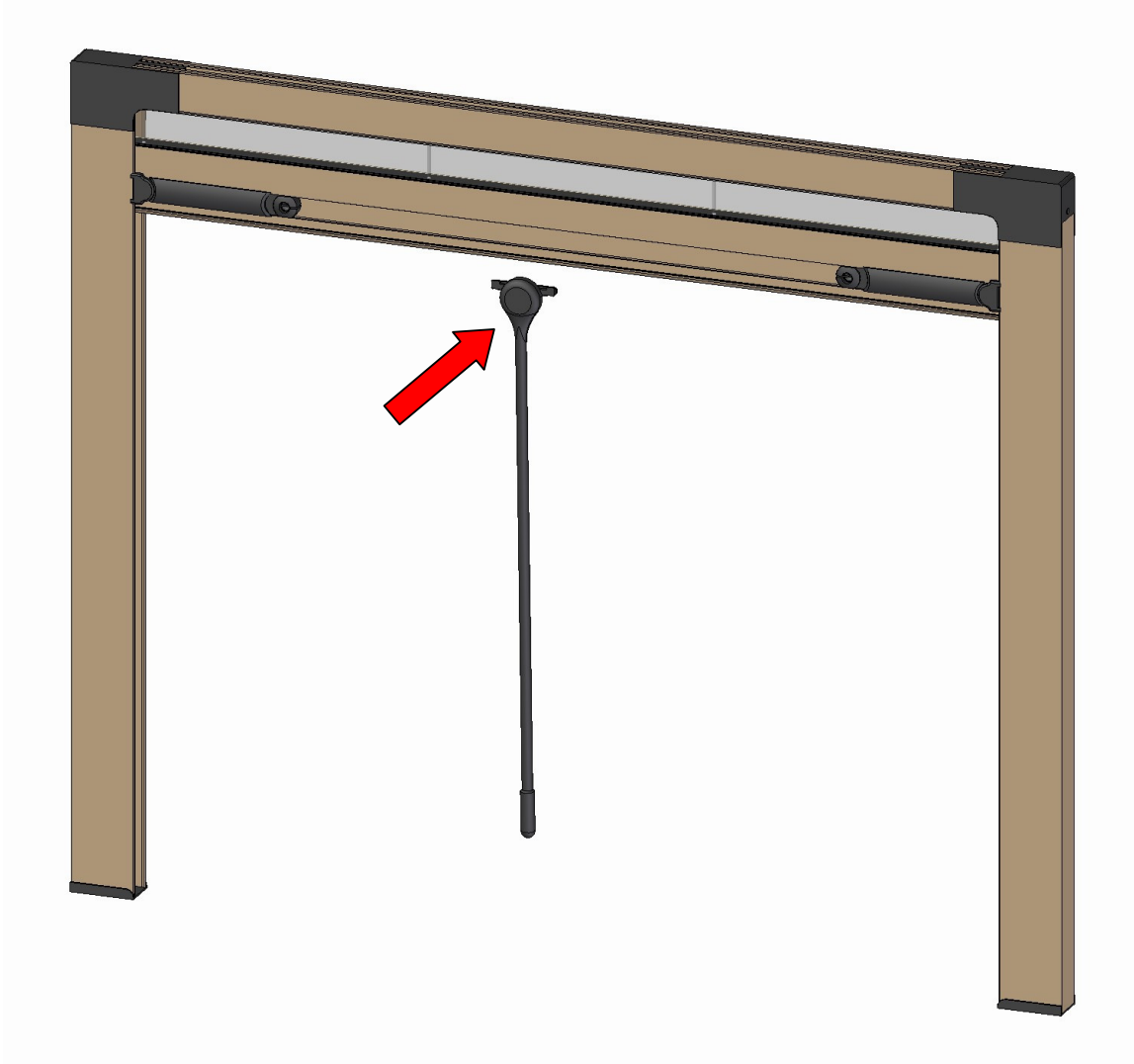
SLIDER ADJUSTMENT

- Move the sliders until they reach the side tracks
- Push each slider gently, so that the spring is engaged
- Tighten the fixing screws



INSERTING THE ROD

- Insert the rod supplied so that it snaps into its location on the carrier bar.



TEST THE MOSQUITO SCREEN

