

TACTIC WALLWASH



Correcte verwijdering van dit product (Elektrische & elektronische afvalapparatuur)
Comment éliminer ce produit (Déchets d'équipements électriques et électroniques)
Korrekte Entsorgung dieses Produkts (Elektronmüll)
Correct disposal of this product (Waste Electrical & Electronical Equipment)
Eliminación correcta de este producto (Material eléctrico y electrónico de descarte)
Corretto smaltimento del prodotto (Rifiuti elettrici ed elettronici)



Enkel geschikt voor toestellen op zeer lage spanning (minder dan 50 V AC)
Convient uniquement pour les produits à très basse tension (moins de 50 V AC)
Geeignet für Güter mit sehr niedriger Spannung (unter 50 V AC)
Only suited for goods at very low voltage (below 50 V AC)
Se recomienda únicamente para aquellos productos de tensión muy baja (menos de 50 V AC)
Vale unicamente per i prodotti a tensione molto bassa (inferiore a 50 V AC)

IP67 Stofdicht - Beschermd tegen effecten van onderdompeling
Étanche aux poussières - Protégé contre les effets de l'immersion
Staubdicht - Geschützt gegen Eintaucheffekte
Dust-tight - Protected against the effects of immersion
Hermético al polvo - Protegido contra los efectos de la inmersión
A tenuta di polvere - Protetto contro gli effetti dell'immersione



Gebruik de bescherming en vervang indien gebroken
Obligation d'employer l'écran de protection et remplacer en cas de fissures
Schutzblenden benutzen und gesprungene immer austauschen
Use the protective shield and replace when cracked
Utilizzate lo schermo di protezione e sostituitelo quando è incrinato
Utiliza la protección y reemplaza siroto



Gelijkstroomtoevoer
Alimentation DC
GS-Zufuhr
DC supply
Alimentación de CC
Alimentazione CC



Toestel geschikt voor buitentoepassing, rekening houdend met opgegeven IP-waarden
Appareil approprié pour l'usage extérieur, prenant en compte l'IP indiquée
Apparat für den Aussengebrauch verwendbar, unter Berücksichtigung des angezeigten IP
Device suitable for exterior use, taking the indicated IP rating into consideration
Apparecchio per esterni, da installare tenendo conto del suo grado di protezione (IP)
Aparato apto para uso al exterior en conformidad con el nivel IP indicado



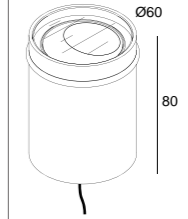
Installeer het armatuur enkel in ruimten waar direct contact met water onmogelijk is.
Cet équipement doit être installé dans des pièces hors de toute projection d'eau.
Diese Leuchte darf nur in Räumen verwendet werden, in denen ein direkter kontakt mit wasser nicht möglich ist
This fitting should only be installed in rooms where direct contact with water is impossible
Este aparato solamente puede ser instalado en habitaciones donde el contacto directo con el agua sea imposible
Questo apparecchio di illuminazione deve essere installato solamente in locali in cui il contatto con l'acqua è impossibile.



Bevestiging vloer inbouw
Montage sol encastré
Montage boden eingebaut
Fixation floor recessed
Montaje suelo empotrado
Montaggio pavimento incasso

TACTIC Wallwash

Manual/



61 x 100

TACTIC WALLWASH ◇

213 45 212 ◇

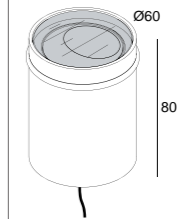
◇ = ANO

INCL.1 x POWERLED WHITE 4W / 3000K ●
INCL.1 x CABLE H05 RN-F 2 x 1mm² 0,5m
EXCL.LED POWER SUPPLY 24V-DC
IEC 60598-2-13 : max.150kg 25N/cm²
ESG 5mm

◇ IP67

OPTIONS

LED POWER SUPPLY 24V-DC
CBOX
IP68 CONNECTION KIT
IP68 CONNECTOR 3P
TACTIC BOX 60 R



61 x 100

TACTIC WALLWASH SBL ◇

213 45 2125 ◇

◇ = ANO

INCL.1 x GLASS SBL
INCL.1 x POWERLED WHITE 4W / 3000K ●
INCL.1 x CABLE H05 RN-F 2 x 1mm² 0,5m
EXCL.LED POWER SUPPLY 24V-DC
IEC 60598-2-13 : max.150kg 25N/cm²
ESG 5mm

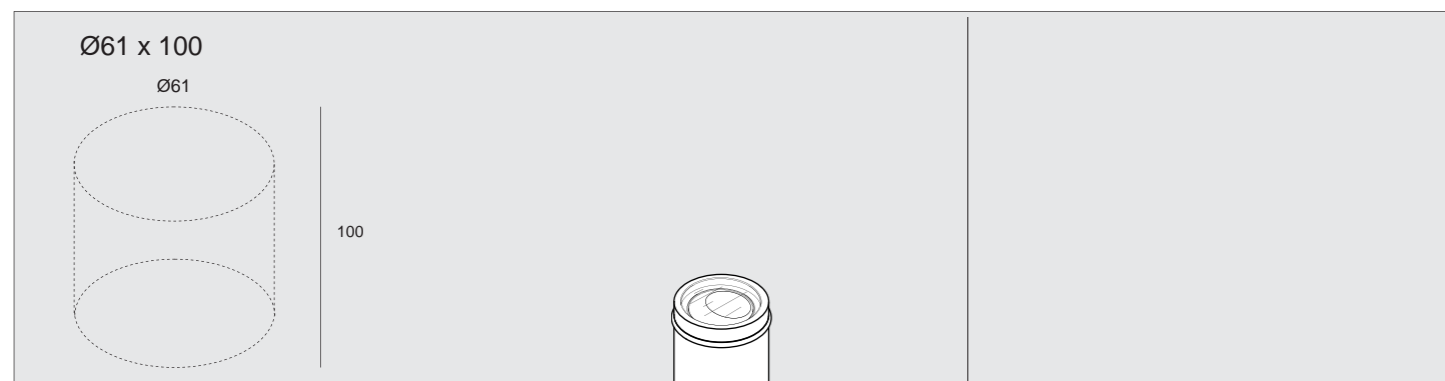
◇ IP67

OPTIONS

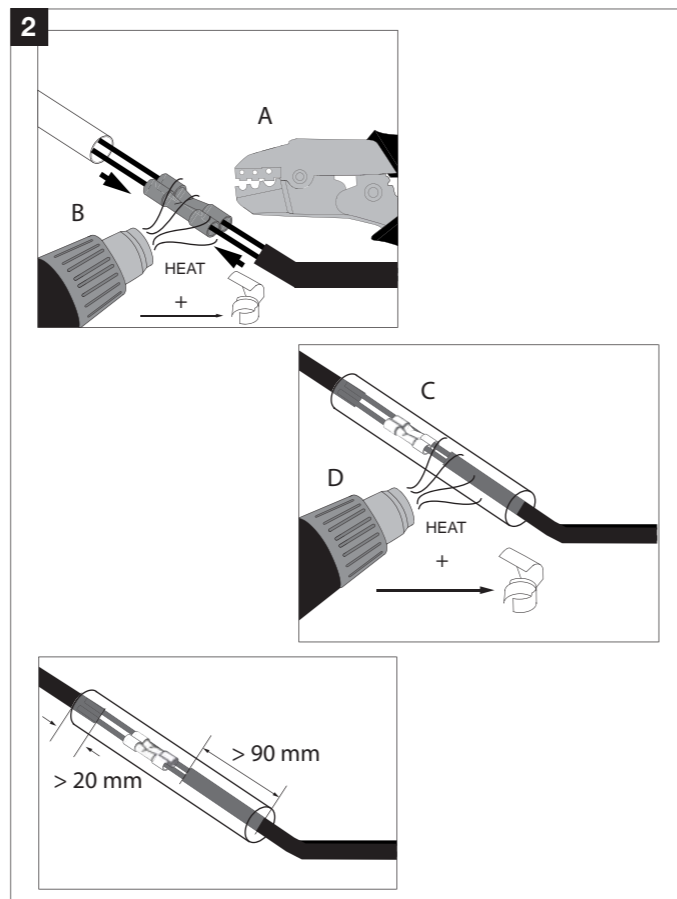
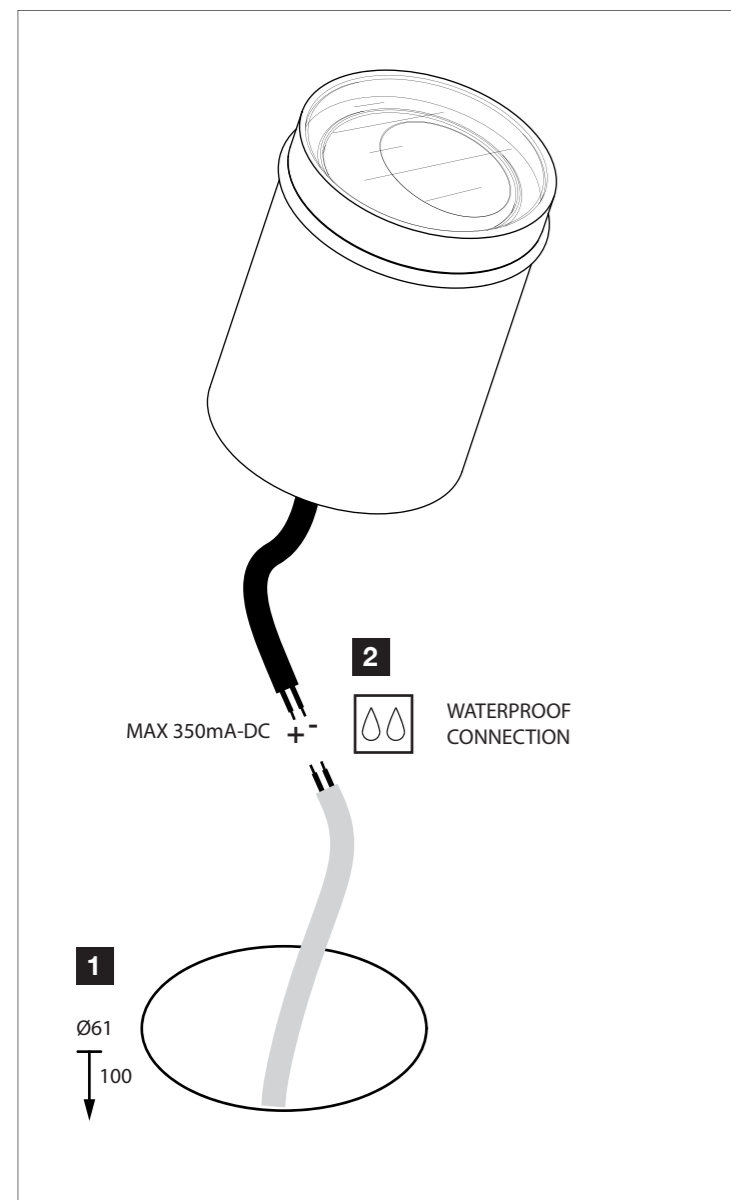
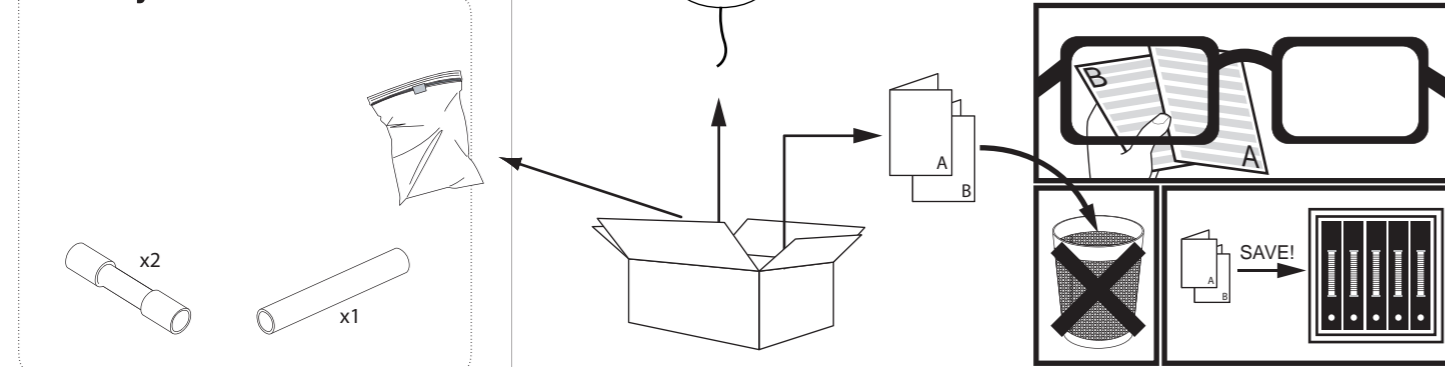
LED POWER SUPPLY 24V-DC
CBOX
IP68 CONNECTION KIT
IP68 CONNECTOR 3P
TACTIC BOX 60 R



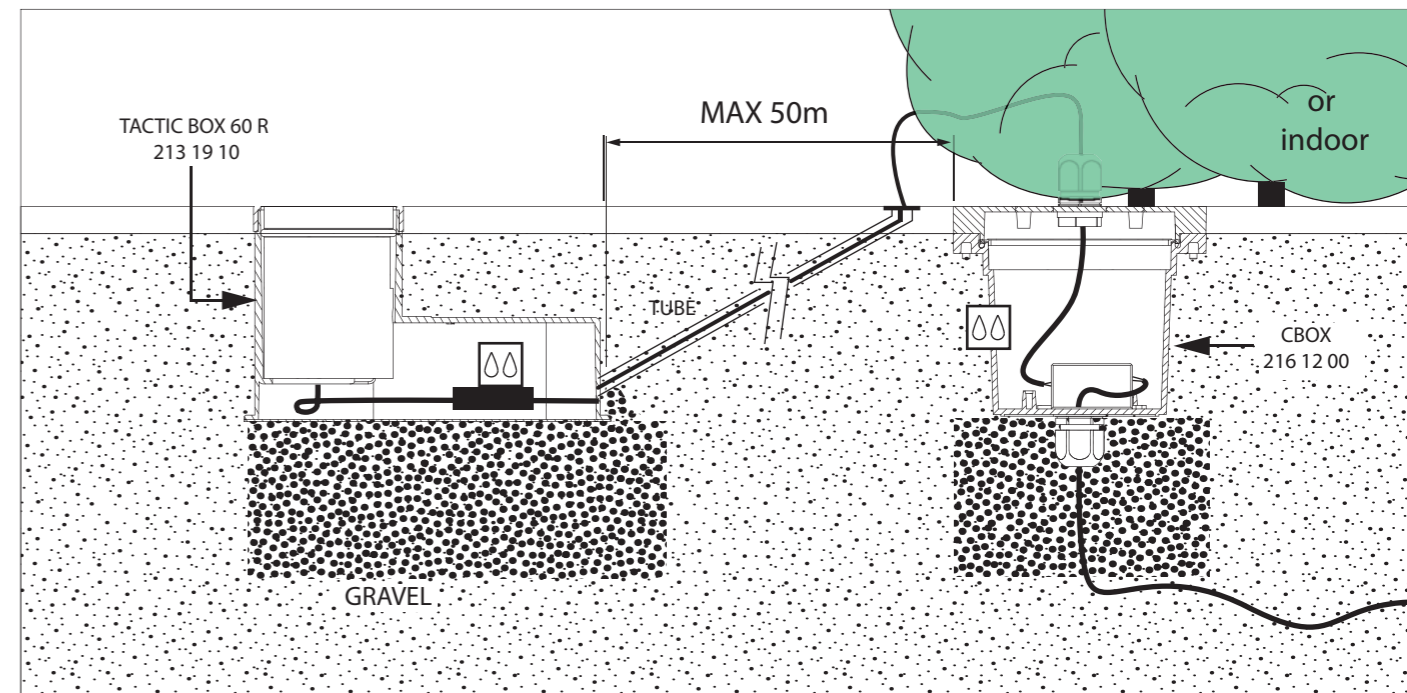
 DELTALIGHT®



Accessory Set

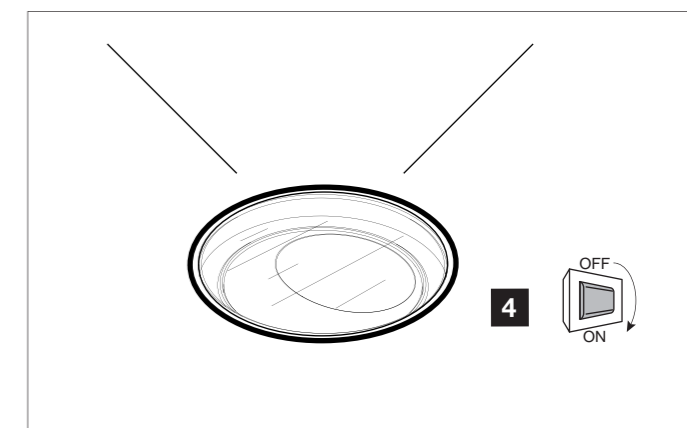
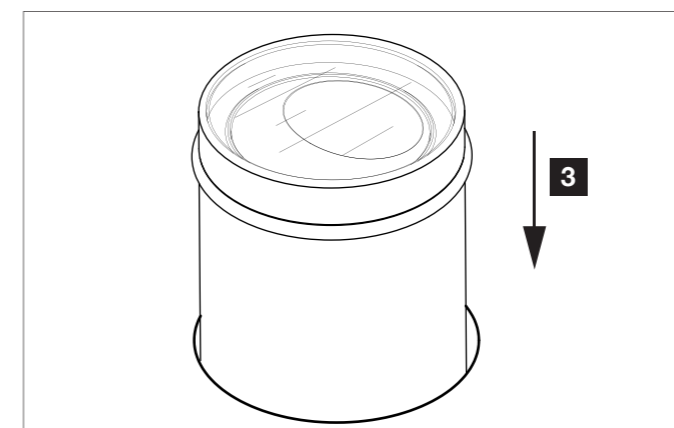


OPTIONS
 TACTIC BOX 60 R
 213 19 10
 CBOX
 216 12 00



WARNING

ANY CLAIM TO A WARRANTY SHALL BECOME NULL AND VOID IF THE DEVICE IS NOT INSTALLED WITH THE SUITABLE BOX (OPTIONAL) PROVIDED BY DELTALIGHT N.V.



- Use only power supplies that are certified according to the applicable IEC or UL safety standards.
- Use only SELV power supplies.
- Check the ratings of the power supply with those of the luminaire. The maximum current rating must be taken into account. The indicated typical voltage must not be used to select a constant voltage power supply but is intended to be used to select a constant current power supply that is able to cover that typical voltage.
- Take appropriate ESD measures. Avoid touching bare conductors.
- Leds or led luminaires that require a current controlled power supply must never be connected in parallel.
- Leds can be damaged by the contact with certain chemicals or chemical gasses. Therefore led domes or led engines should never be cleaned with chemical substances.
- The following substances have proven to have a negative influence on the performance and must not be used in the direct environment of a led luminaire.
 - Methyl acetate or ethyl acetate (i.e., nail polish remover)
 - Cyanoacrylates (i.e., "Superglue")
 - Glycol ethers (including Radio Shack® Precision Electronics Cleaner - dipropylene glycol monomethyl ether)
 - Formaldehyde or butadiene (including Ashland PLIOBOND® adhesive)
 - Dymax 984-LVUF conformal coating
 - Loctite Sumo Glue
 - Gorilla Glue
 - Bleach, Bleach-containing cleaners, sprays
 - Loctite 384 adhesive
 - Loctite 7387 activator
 - Loctite 242 threadlocker
- Remove insulation and/or provide sufficient ventilation so that the indicated max Tc is not surpassed.
- Leds are susceptible to switching transients. Therefore switching must be done in the primary circuit of the power supply.
- DELTA LIGHT recommends to use the power supplies that are indicated in the Lighting Bible.
- Respect polarity
- Don't test LED luminaires one by one on a powersupply that is switched on.