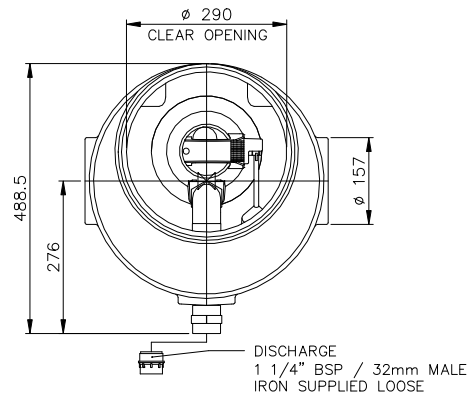
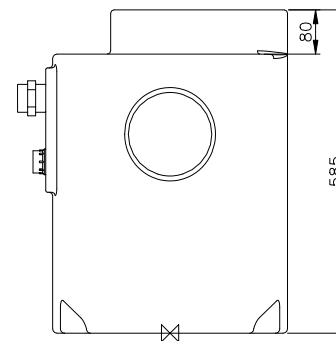
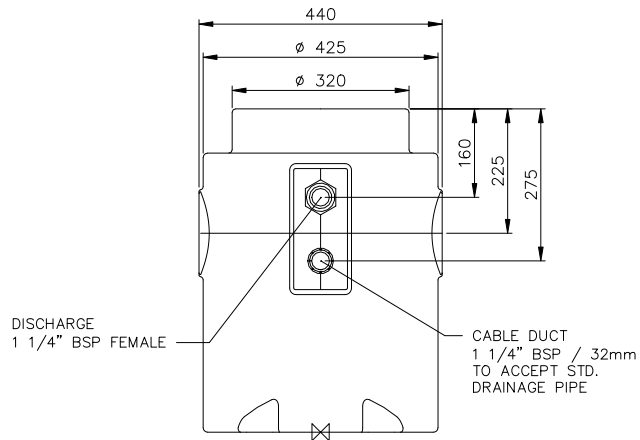


DO NOT SCALE



PUMP TYPE	V3P
P1	0.43kW
P2	0.18kW
FLC	1.9A



DELTA MEMBRANE SYSTEMS
SINGLE V3 SUMP - 2 x INLETS

124B rev.2

DELTA MEMBRANE SYSTEMS LTD

DELTA House
Merlin Way
North Weald
Epping
Essex CM16 6HR
Tel: 01992 523523 Fax: 01992 523250

Title
SINGLE V3 SUMP - 2 x INLETS

Drawing No. 124B Rev 2

Drawn