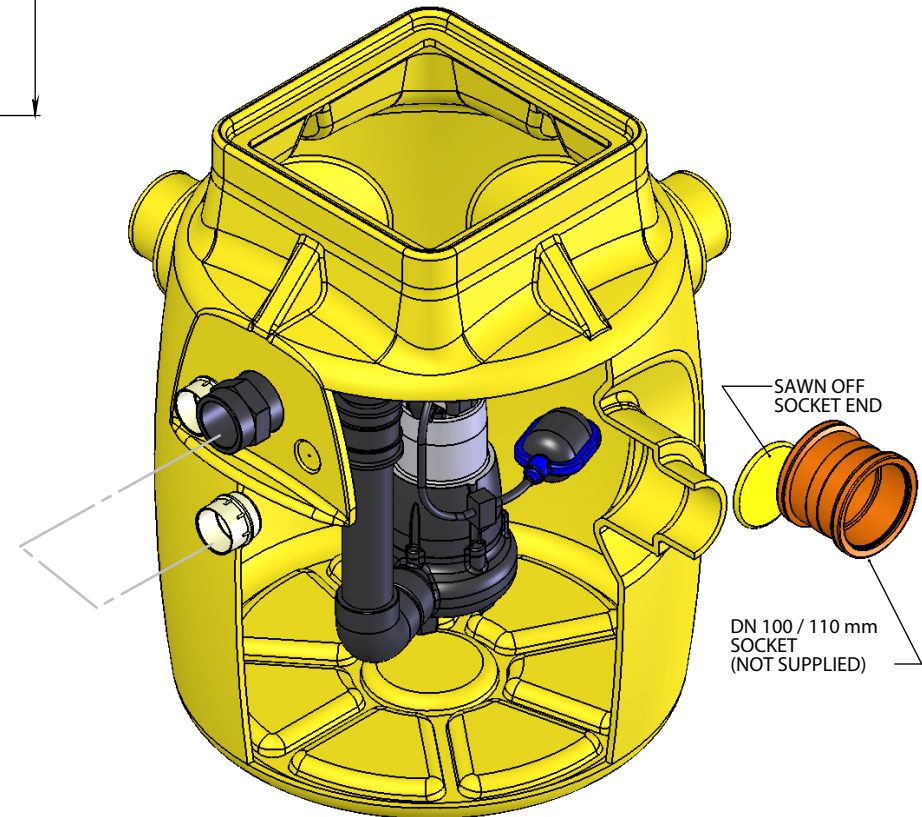


CABLE DUCT  
2" / 50 mm FEMALE  
TO ACCEPT STD.  
DRAINAGE PIPE

DISCHARGE  
2" BSP / 50 mm MALE  
IRON SUPPLIED LOOSE

Pump Type	612SA
P1	1.1kW
P2	0.7kW
FLC	4.8A



**Delta Code**  
**DMS 165**

**Specification Code**  
**2-660-800-612SA-HLA**

**Product Description**  
**Delta Foul V3 Sump - 612SA Pump**

