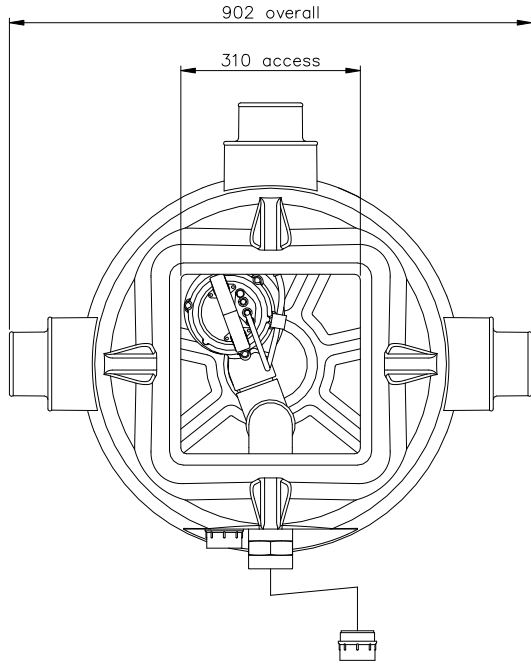
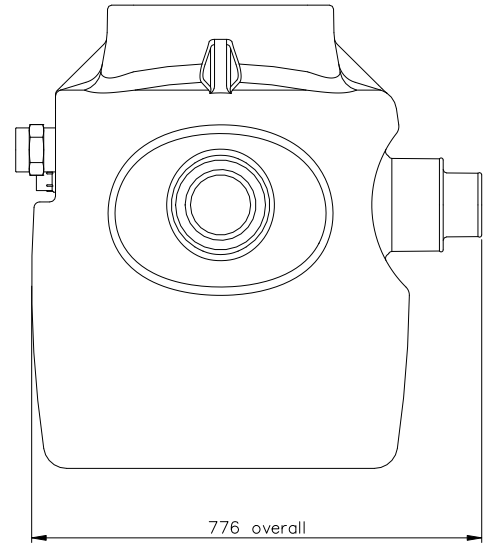
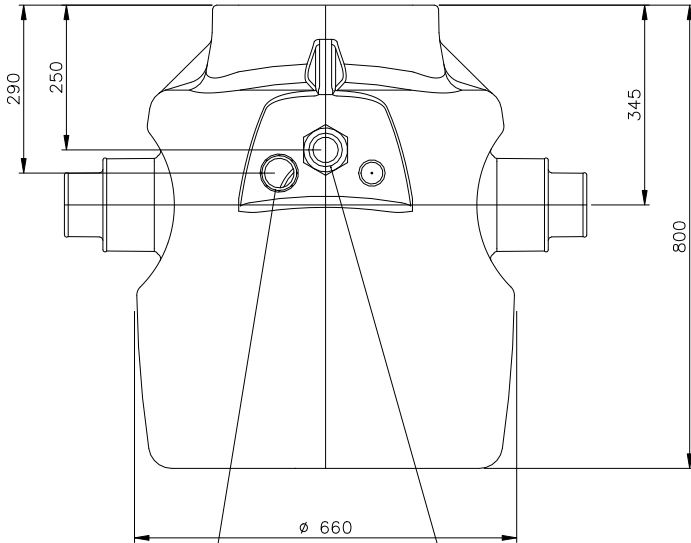


DO NOT SCALE



PUMP TYPE	612SA
P1	1.1kW
P2	0.7kW
FLC	4.8A



CABLE DUCT
2" / 50mm FEMALE
TO ACCEPT STD,
DRAINAGE PIPE

DISCHARGE
2" BSP / 50mm MALE
IRON SUPPLIED LOOSE

DELTA MEMBRANE SYSTEMS
FOUL V3 SUMP 612SA PUMP

128 rev.2

DELTA MEMBRANE SYSTEMS LTD

DELTA House
Merlin Way
North Weald
Epping
Essex CM16 6HR
Tel: 01992 523523 Fax: 01992 523250

Title
FOUL V3 SUMP 612SA PUMP

Drawing No.	128	Rev	2
-------------	-----	-----	---

Drawn