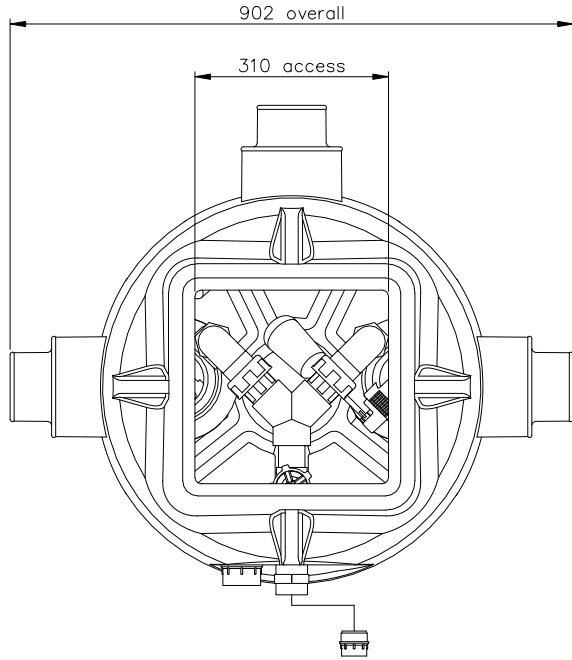
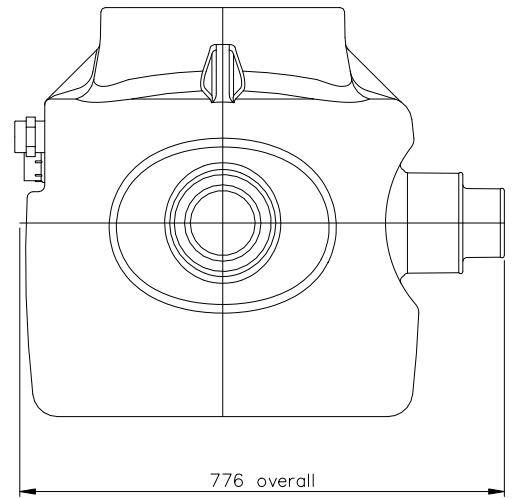
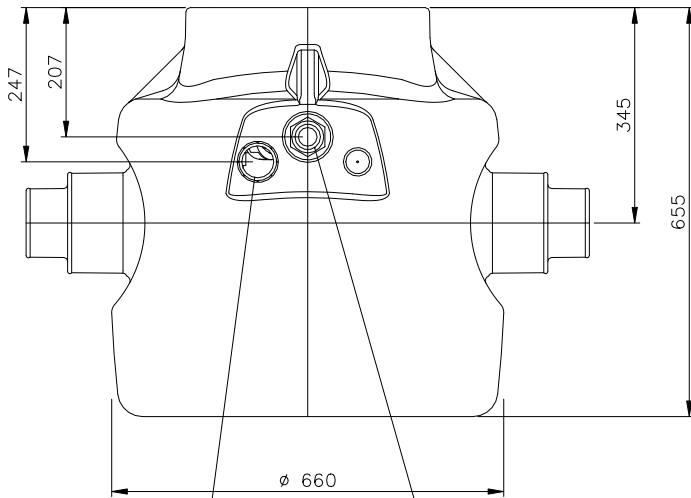


DO NOT SCALE



PUMP TYPE	V3P
P1	0.43kW
P2	0.18kW
FLC	1.9A



CABLE DUCT
2" / 50mm FEMALE
TO ACCEPT STD,
DRAINAGE PIPE

DISCHARGE
1 1/4" BSP / 32mm MALE
IRON SUPPLIED LOOSE

DELTA MEMBRANE SYSTEMS
DUAL V3 SUMP - 2 x V3 PUMPS

125 rev.2

DELTA MEMBRANE SYSTEMS LTD

DELTA House
Merlin Way
North Weald
Epping
Essex CM16 6HR
Tel: 01992 523523 Fax: 01992 523250

Title
DUAL V3 SUMP - 2 x V3 PUMPS

Drawing No. 125 Rev 2

Drawn