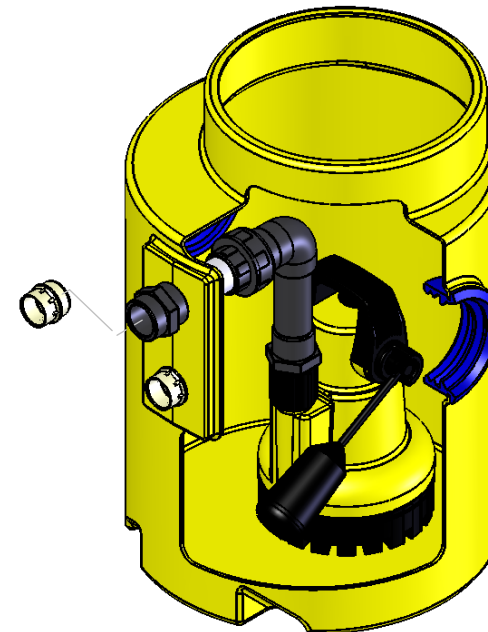
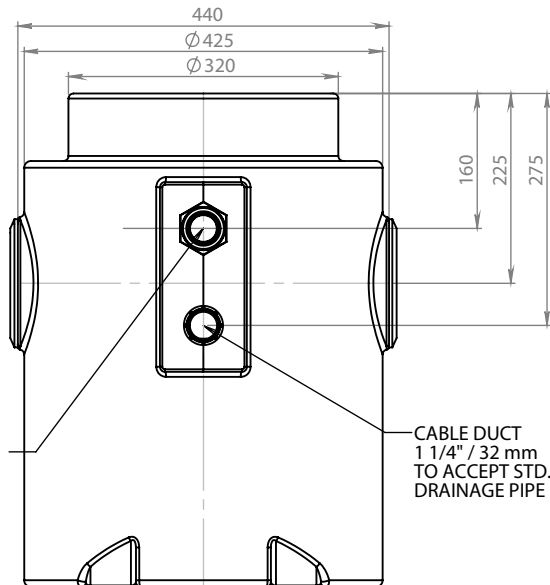


Pump Type	V3P
P1	0.43kW
P2	0.18kW
FLC	1.9A

DISCHARGE
1 1/4" BSP / 32 mm MALE
IRON SUPPLIED LOOSE



Code
DMS 107

Specification Code
1.2-425-585-V3P-HLA

Product Description **Delta Single V3 Sump**
V3 Pump 2 x 110mm inlets

