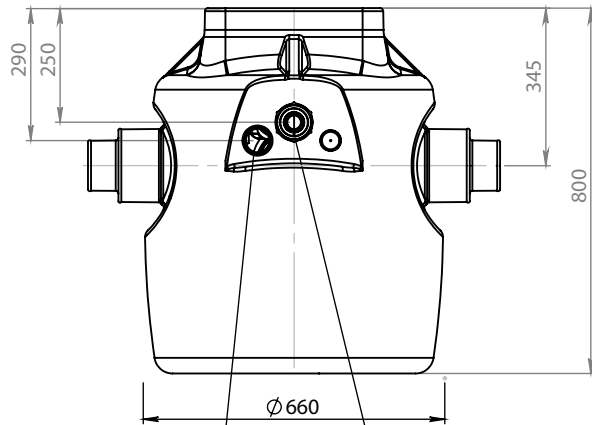
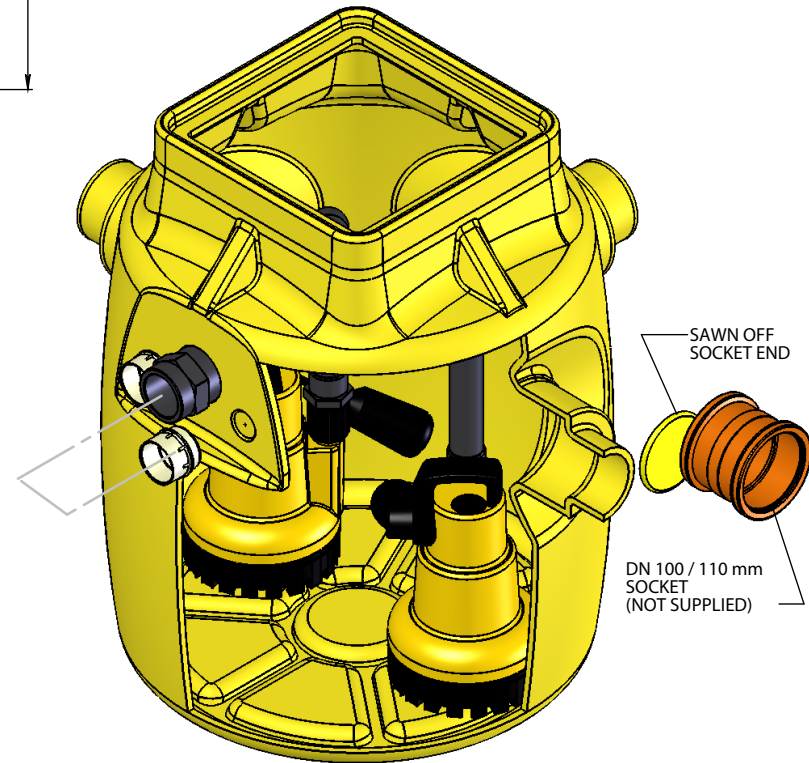


Pump Type	V6P
P1	1.1kW
P2	0.5kW
FLC	4.9A



CABLE DUCT
2" / 50 mm FEMALE
TO ACCEPT STD.
DRAINAGE PIPE

DISCHARGE
2" BSP / 50 mm MALE
IRON SUPPLIED LOOSE



Delta Dual V6 DMS - 079

Delta House, Merlin Way,
North Weald,
Epping, Essex CM16 6HR
Telephone: 01992 523 523
E-mail: info@deltamembranes.com

