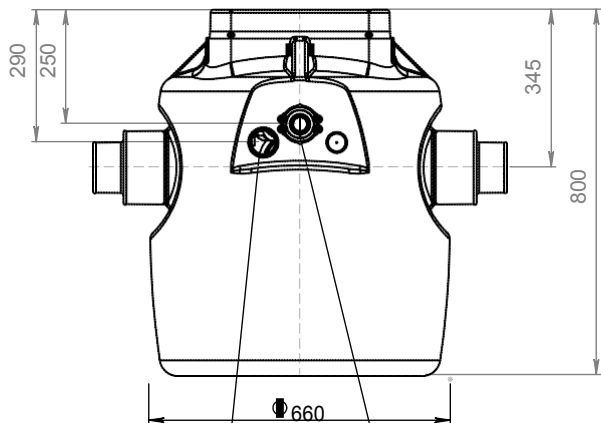
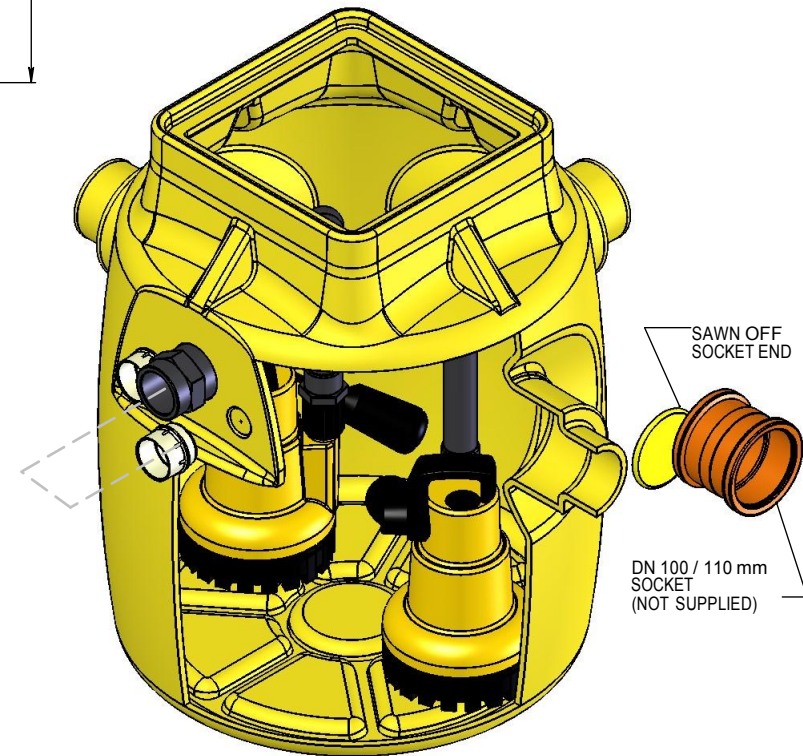


Pump Type	V4P
P1	0.75kW
P2	0.356kW
FLC	4.0A



CABLE DUCT  
2" / 50 mm FEMALE  
TO ACCEPT STD.  
DRAINAGE PIPE

DISCHARGE  
2" BSP / 50 mm MALE  
IRON SUPPLIED LOOSE



# Delta Dual V4 DMS - 217

Delta House, Merlin Way,  
North Weald,  
Epping, Essex CM16 6HR  
Telephone: 01992 523 523  
E-mail: [info@deltamembranes.com](mailto:info@deltamembranes.com)

