

DOC M PRODUCTS AND PACKS

DOC M
PACKS
4



DOC M
PRODUCTS
8



DOC M
SPACE GUIDES
10



Recessed shower pack



Please note that the images are for illustration purposes only.

- 19 items:**
- 2 Drop-down rails, length 760mm.
 - 3 Grab bars, length 600mm.
 - 2 Grab bars, length 450mm.
 - 1 Lift-up shower seat.
 - 1 Backrest, depth 125mm.
 - 1 Shower curtain rail, 1,200 x 1,200mm.
 - 2 Shower curtains, white PVC.
 - 1 Stainless steel coat hook.
 - 1 SECURITHERM single control thermostatic recessed shower mixer.
 - 1 Chrome-plated TONIC JET shower head, tamperproof and scale-resistant, with automatic flow rate regulator at 6 lpm.
 - 1 Recessed diverter valve.
 - 1 Multi-mode shower kit, 1.5m hose.
 - 1 Shower hose retaining collar: retains shower hose correctly.
 - 1 Wall outlet.

WRAS approved product no. 1512029.
 BuildCert certificate TMV3: BC1824/1216.
 CE marked.
 DOC M compliant.

DOC M Recessed shower pack	
White epoxy coated	DOCMREC1
Blue epoxy coated	DOCMREC2

Exposed shower pack



Please note that the images are for illustration purposes only.

- 19 items:**
- 2 Drop-down rails, length 760mm.
 - 3 Grab bars, length 600mm.
 - 2 Grab bars, length 450mm.
 - 1 Lift-up shower seat.
 - 1 Backrest, depth 125mm.
 - 1 Shower curtain rail, 1,200 x 1,200mm.
 - 2 Shower curtains, white PVC.
 - 1 Stainless steel coat hook.
 - 1 SECURITHERM single control thermostatic exposed shower mixer.
 - 1 Chrome-plated TONIC JET shower head, tamperproof and scale-resistant, with automatic flow rate regulator at 6 lpm.
 - 1 Exposed diverter valve.
 - 1 Multi-mode shower kit, 1.5m hose.
 - 1 Shower hose retaining collar: retains shower hose correctly.
 - 1 Riser pipe, 1m.

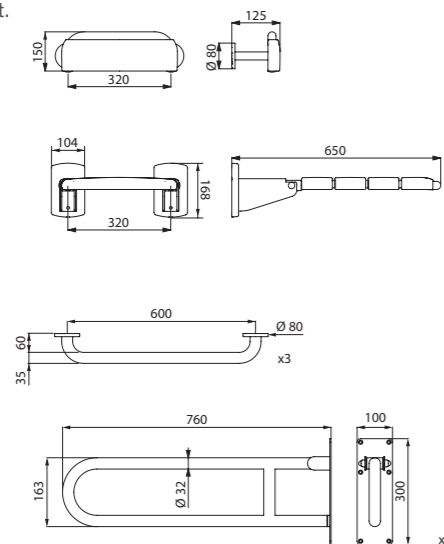
WRAS approved product no.1410025.
 BuildCert certificate TMV3: BC1363/0514.
 CE marked.
 DOC M compliant.

DOC M Exposed shower pack	
White epoxy coated	DOCMEXP1
Blue epoxy coated	DOCMEXP2

Basic shower or changing room pack
Shower seat without leg



- 1 lift-up shower seat, 650 × 420mm.
- 1 backrest, depth 125mm.
- 2 drop-down rails, length 760mm.
- 3 grab bars, length 600mm.
- Grab bars and shower seat: aluminium tube.
- Drop-down rails: stainless steel tube.
- Tested to over 200kg. Maximum recommended user weight: 135kg.
- CE marked.
- DOC M compliant.

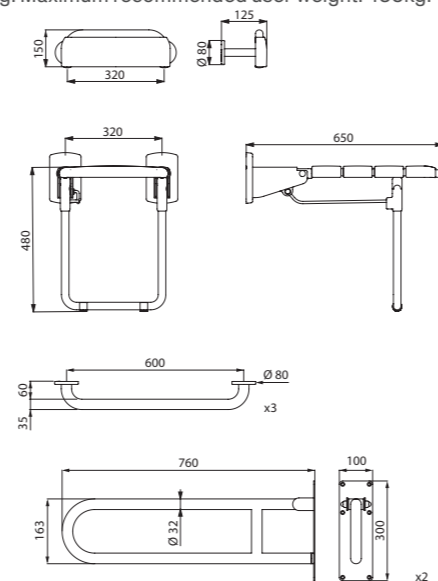


DOC M basic shower or changing room pack - Shower seat without leg	
White epoxy coated	510821MW
Blue epoxy coated	510821MB

Basic shower or changing room pack
Shower seat with leg

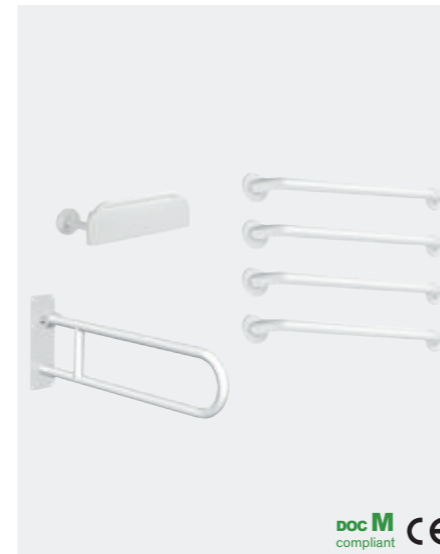


- 1 lift-up shower seat with leg, 650 × 420mm. Seat height: 480mm.
- 1 backrest, depth 125mm.
- 2 drop-down rails, length 760mm.
- 3 grab bars, length 600mm.
- Grab bars and shower seat: aluminium tube.
- Drop-down rails: stainless steel tube.
- Tested to over 200kg. Maximum recommended user weight: 135kg.
- CE marked.
- DOC M compliant.

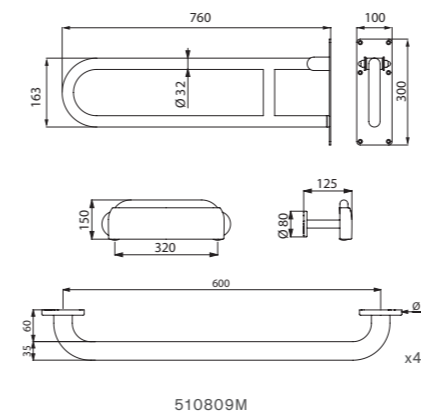


DOC M basic shower or changing room pack - Shower seat with leg	
White epoxy coated	510827MW
Blue epoxy coated	510827MB

Basic WC pack with backrest

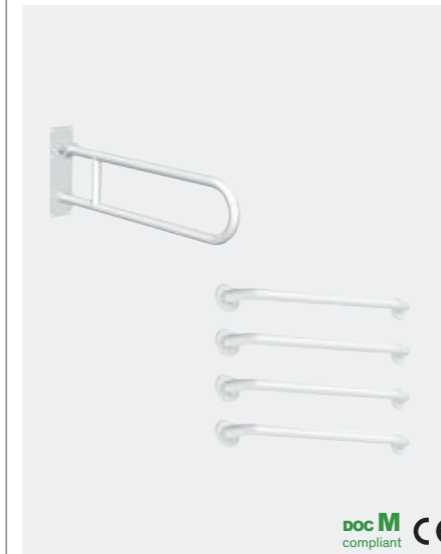


- 1 backrest, depth 125mm (ref. 510809M) or depth 250mm (ref. 510819M).
- 1 drop-down rail, length 760mm.
- 4 grab bars, length 600mm.
- Grab bars and backrest: aluminium tube.
- Drop-down rail: stainless steel tube.
- Tested to over 200kg.
- Maximum recommended user weight: 135kg.
- CE marked.
- DOC M compliant.

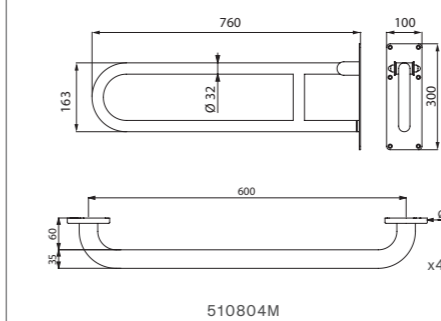


DOC M basic WC pack with backrest	
White epoxy coated	
Depth 125mm	510809MW
Depth 250mm	510819MW
Blue epoxy coated	
Depth 125mm	510809MB
Depth 250mm	510819MB

Basic WC pack



- 1 drop-down rail, length 760mm.
- 4 grab bars, length 600mm.
- Grab bars: aluminium tube.
- Drop-down rail: stainless steel tube.
- Tested to over 200kg.
- Maximum recommended user weight: 135kg.
- CE marked.
- DOC M compliant.

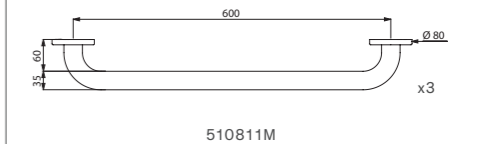


DOC M basic WC pack	
White epoxy coated	510804MW
Blue epoxy coated	510804MB

Ambulant WC basic pack



- 3 grab bars, length 600mm.
- Aluminium tube Ø 35mm.
- Concealed fixings, secured to wall by a 3-hole plate.
- Tested to over 200kg.
- Maximum recommended user weight: 135kg.
- CE marked.
- DOC M compliant.

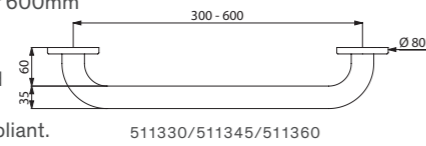


DOC M ambulant WC basic pack	
White epoxy coated aluminium	510811MW
Blue epoxy coated aluminium	510811MB

Aluminium grab bar



- **Aluminium** tube Ø 35mm.
- Concealed fixings, secured to wall by a 3-hole plate.
- Dimensions: 300, 450 or 600mm centre-to-centre.
- Tested to over 200kg. Maximum recommended user weight: 135kg.
- CE marked. DOC M compliant.

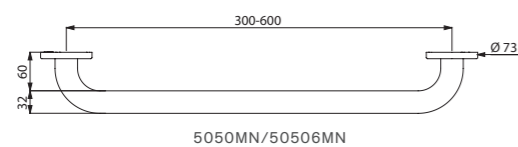


DOC M grab bar – White epoxy coated aluminium	
300mm	511330W
450mm	511345W
600mm	511360W
DOC M grab bar – Blue epoxy coated aluminium	
300mm	511330B
450mm	511345B
600mm	511360B

Nylon grab bar

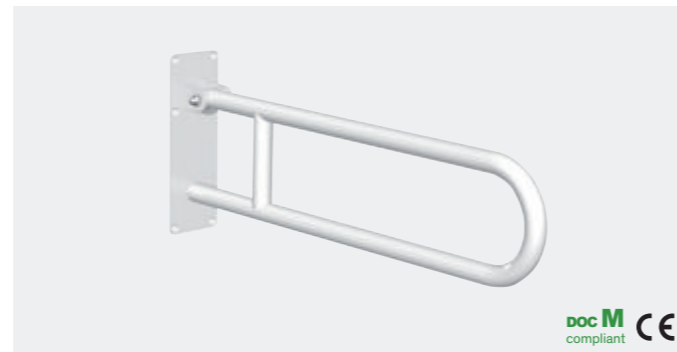


- **High strength polyamide (Nylon)**, Ø 32mm.
- Concealed fixings, secured to wall by a 6-hole plate.
- Dimensions: 300 or 600mm centre-to-centre.
- Tested to over 200kg. Maximum recommended user weight: 135kg.
- CE marked.
- DOC M compliant.

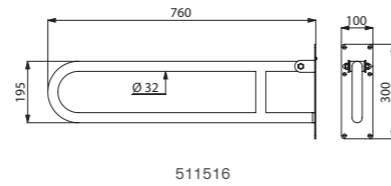


DOC M grab bar - HR Nylon bright white	
300mm	5050MN
600mm	50506MN

Stainless steel drop-down rail

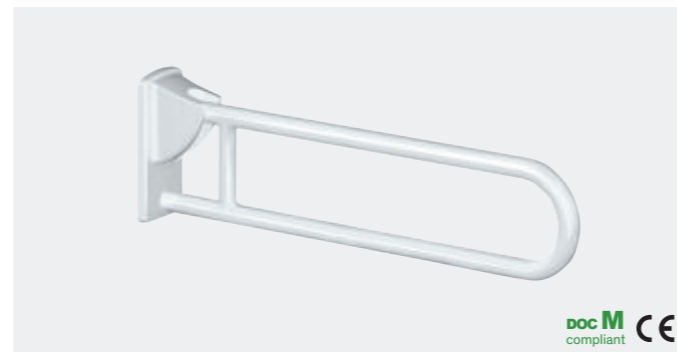


- **Stainless steel** tube Ø 32mm.
- Visible fixings, secured to wall by a 6-hole plate.
- Length 760mm.
- Tested to over 200kg. Maximum recommended user weight: 135kg.
- CE marked.
- DOC M compliant.

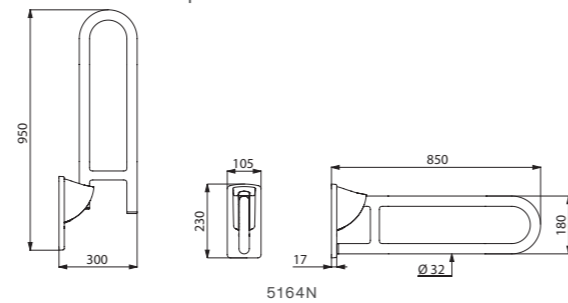


DOC M drop-down rail	
White epoxy coated stainless steel	511516W
Blue epoxy coated stainless steel	511516B

Nylon drop-down rail



- **High strength polyamide (Nylon)**, Ø 32mm.
- Concealed fixings, secured to wall by a 304 stainless steel wall plate.
- Length 850mm.
- Tested to over 200kg. Maximum recommended user weight: 135kg.
- CE marked. DOC M compliant.

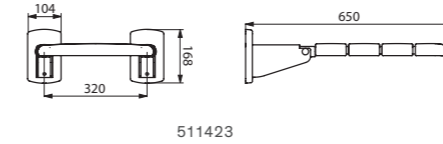


DOC M drop-down rail - HR Nylon bright white	
	5164N

Shower seat



- Large plastic slats are easy to maintain.
- Structure made from aluminium tube.
- Concealed fixings.
- Dimensions: 650 × 420mm.
- Tested to over 200kg. Maximum recommended user weight: 135kg.
- CE marked.
- DOC M compliant.

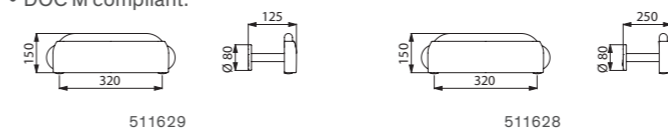


DOC M shower seat	
White epoxy coated aluminium	511423W
Blue epoxy coated aluminium	511423B

Backrest



- Plastic backrest, easy to maintain.
- Structure made from aluminium tube.
- Concealed fixings, secured to wall by a 3-hole plate.
- Dimensions: 320 × 150mm.
- CE marked.
- DOC M compliant.

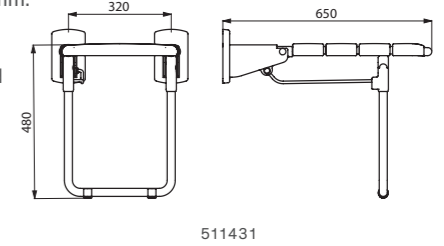


DOC M backrest – White epoxy coated aluminium	
Depth 125mm	511629W
Depth 250mm	511628W
DOC M backrest – Blue epoxy coated aluminium	
Depth 125mm	511629B
Depth 250mm	511628B

Shower seat with leg



- Large plastic slats are easy to maintain.
- Structure made from aluminium tube.
- Reinforced by a folding, articulated leg.
- Concealed fixings.
- Dimensions: 650 × 420mm.
- Seat height: 480mm.
- Tested to over 200kg. Maximum recommended user weight: 135kg.
- CE marked.
- DOC M compliant.



DOC M shower seat with leg	
White epoxy coated aluminium	511431W
Blue epoxy coated aluminium	511431B

DISABILITY DISCRIMINATION ACT (DDA) AND DOC M: REMOVING PHYSICAL BARRIERS

From October 2004, the revised DDA requires that "All suppliers of services, goods and facilities for the general public must remove all physical barriers, where deemed reasonable". The DOC M (Part M of the Building Regulations 2010) recommends and imposes a variety of alternative layouts and product combinations in response to these obligations.

DELABIE has therefore developed a product offering, including special packs, which conform to the recommendations of DOC M. The objective is to allow everyone - disabled people, older people or those with reduced mobility - easy access and to maintain maximum independence in their day-to-day life.

