

DACATIE - Product Drawing

Quantum Profile Systems Ltd.
 Salmon Fields, Royton, Oldham, Lancashire, OL2 6JG
 Tel: 0161 627 4222 Fax: 0161 627 4333 email: info@quantum-ps.co.uk

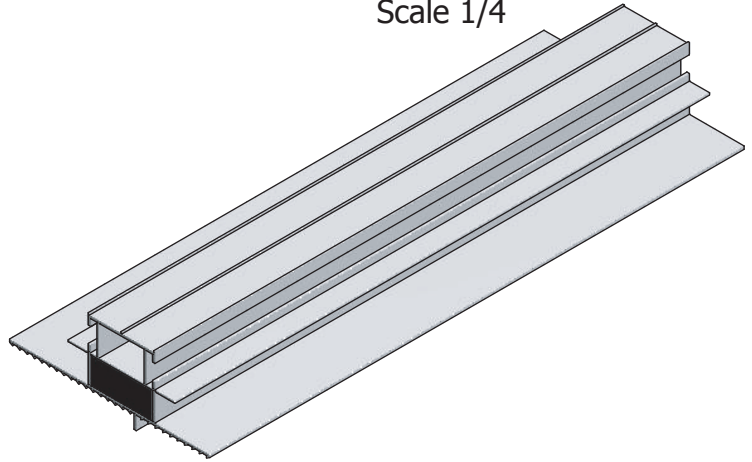
DACATIE
 GREEN BUILDING SOLUTIONS

Unspecified tolerances:
 All dimensions are in millimeters
 unless otherwise stated.
 Unspecified Radii 0.2mm

Holes +/- .1mm
 Angles +/- .5 Deg
 Radii +/- .2mm

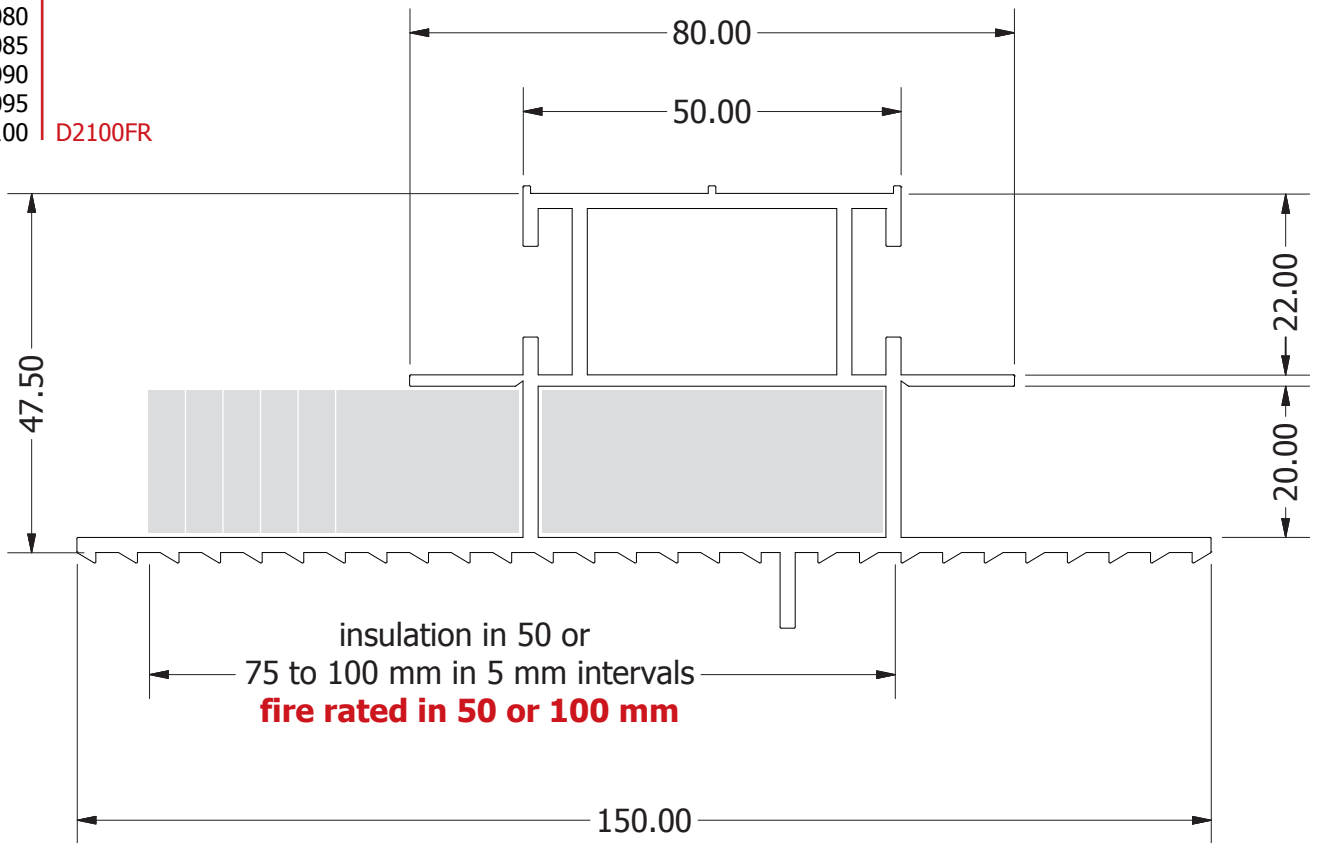
No. Dec Places +/- .5mm
 1 Dec Place +/- .2mm
 2 Dec Places +/- .1mm

Master tool
 Scale 1/4



Product Codes:

- D2050 | D2050FR
- D2075
- D2080
- D2085
- D2090
- D2095
- D2100 | D2100FR



Product: D2000 / D2050FR or D2100 as fire rated

Scale: 1:1

Material: uPVC



This drawing should be used for illustration purposes only. It can not be used as a specification of the part.
 For more information please call +44 (0) 161 627 4222 or mailto CustomerService@quantum-ps.co.uk
 Copyright © 2019 Quantum Profile Systems Limited. All rights reserved.

Date: 06/09/2019
 Author: diane.luther
 File: D2000.pdf

DACATIE - Product Drawing

Quantum Profile Systems Ltd.
 Salmon Fields, Royton, Oldham, Lancashire, OL2 6JG
 Tel: 0161 627 4222 Fax: 0161 627 4333 email: info@quantum-ps.co.uk

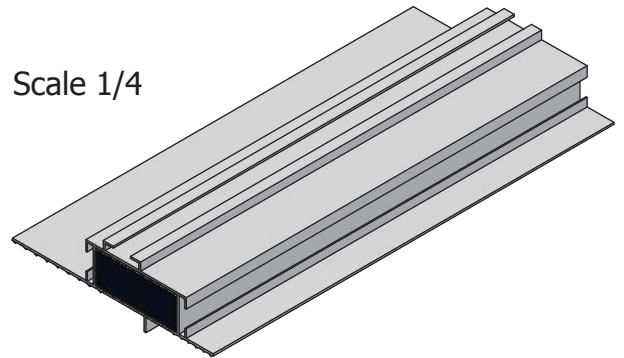


Unspecified tolerances:
 All dimensions are in millimeters
 unless otherwise stated.
 Unspecified Radii 0.2mm

Holes +/- .1mm
 Angles +/- .5 Deg
 Radii +/- .2mm

No. Dec Places +/- .5mm
 1 Dec Place +/- .2mm
 2 Dec Places +/- .1mm

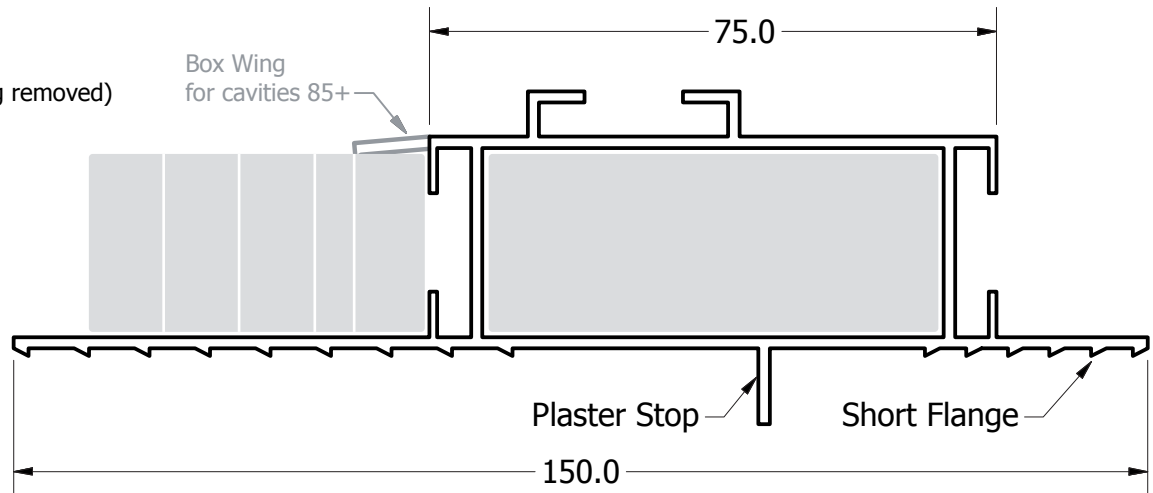
Scale 1/4



FF4000SUB - Standard

Product Codes:

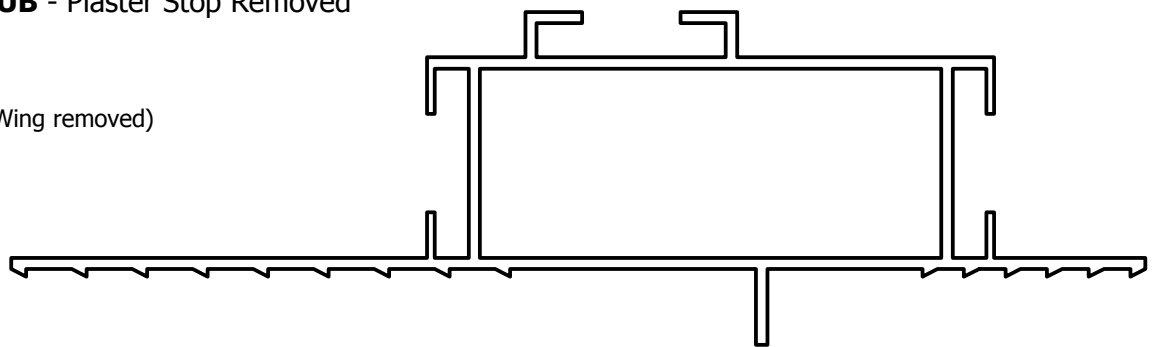
- FF4075 (Box Wing removed)
- FF4085
- FF4090
- FF4100
- FF4110
- FF4120



FF4000PSRSUB - Plaster Stop Removed

Product Codes:

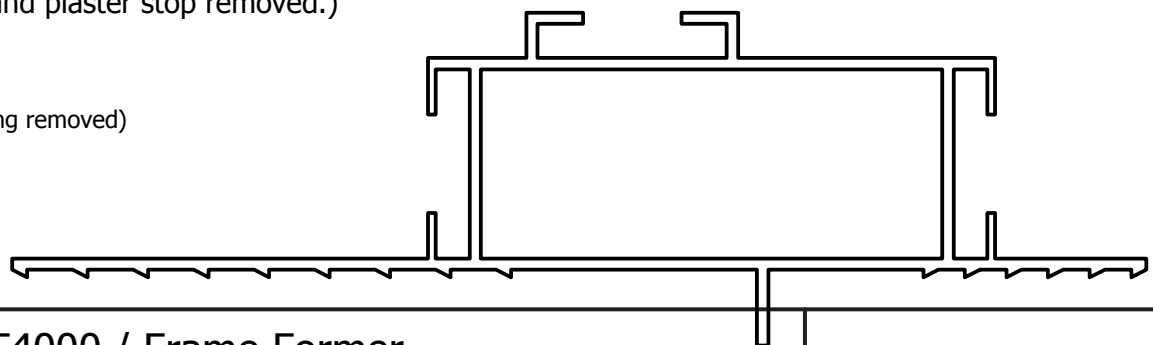
- FF4075PSR (Box Wing removed)
- FF4085PSR
- FF4090PSR
- FF4100PSR
- FF4110PSR
- FF4120PSR



CFF4000SUB - Check Reveal (Short flange and plaster stop removed.)

Product Codes:

- CFF4075 (Box Wing removed)
- CFF4085
- CFF4090
- CFF4100
- CFF4110
- CFF4120



Product: FF4000 / Frame Former

Scale: 1:1

Material: uPVC



This drawing should be used for illustration purposes only. It can not be used as a specification of the part.
 For more information please call +44 (0) 161 627 4222 or mailto CustomerService@quantum-ps.co.uk
 Copyright © 2019 Quantum Profile Systems Limited. All rights reserved.

Date: 06/09/2019
 Author: diane.luther
 File: FF4000.pdf

DACATIE - Product Drawing

Quantum Profile Systems Ltd.
 Salmon Fields, Royton, Oldham, Lancashire, OL2 6JG
 Tel: 0161 627 4222 Fax: 0161 627 4333 email: info@quantum-ps.co.uk

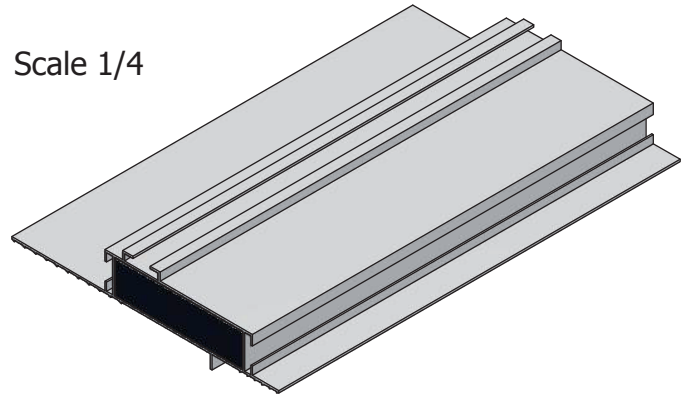


Unspecified tolerances:
 All dimensions are in millimeters
 unless otherwise stated.
 Unspecified Radii 0.2mm

Holes +/- .1mm
 Angles +/- .5 Deg
 Radii +/- .2mm

No. Dec Places +/- .5mm
 1 Dec Place +/- .2mm
 2 Dec Places +/- .1mm

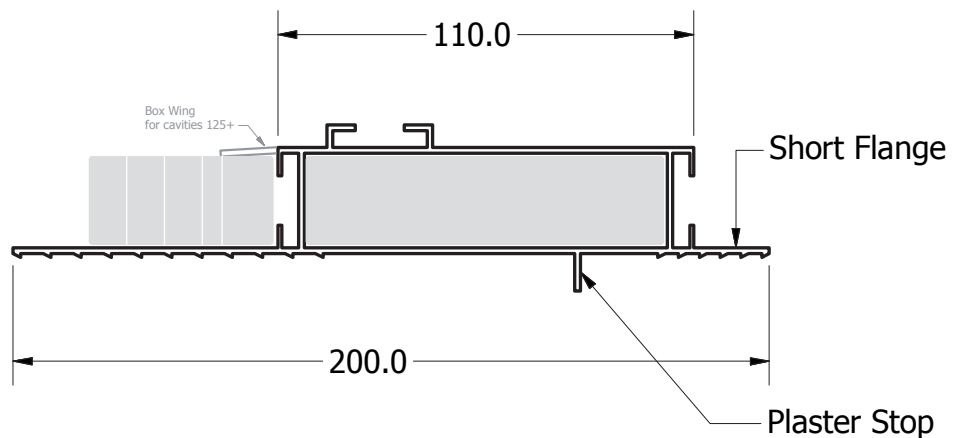
Scale 1/4



FF5000SUB - Standard

Product Codes:

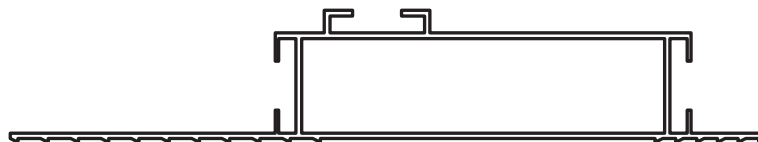
FF5110 (Box Wing removed)
 FF5125
 FF5130
 FF5140
 FF5150
 FF5160



FF5000PSRSUB - Plaster Stop Removed

Product Codes:

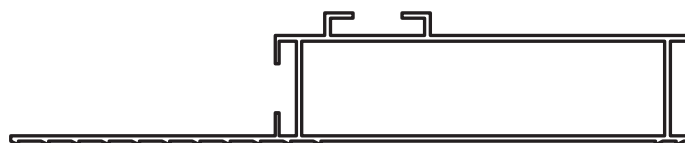
FF5110PSR (Box Wing removed)
 FF5125PSR
 FF5130PSR
 FF5140PSR
 FF5150PSR
 FF5160PSR



CFF5000SUB - Check Reveal (Short flange and plaster stop removed.)

Product Codes:

CFF5110 (Box Wing removed)
 CFF5125
 CFF5130
 CFF5140
 CFF5150
 CFF5160



Product: FF5000 / Frame Former

Scale: 1:2

Material: uPVC



This drawing should be used for illustration purposes only. It can not be used as a specification of the part.
 For more information please call +44 (0) 161 627 4222 or mailto CustomerService@quantum-ps.co.uk
 Copyright © 2019 Quantum Profile Systems Limited. All rights reserved.

Date: 06/09/2019
 Author: diane.luther
 File: FF5000.pdf