

# DACATIE - Product Drawing

Quantum Profile Systems Ltd.  
 Salmon Fields, Royton, Oldham, Lancashire, OL2 6JG  
 Tel: 0161 627 4222 Fax: 0161 627 4333 email: info@quantum-ps.co.uk

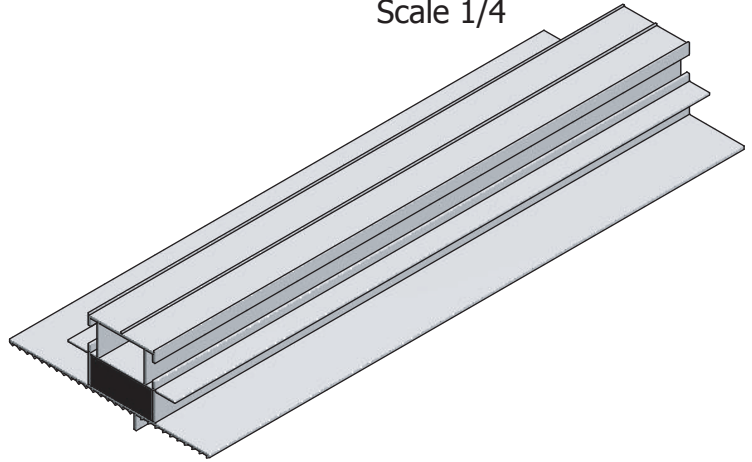


Unspecified tolerances:  
 All dimensions are in millimeters  
 unless otherwise stated.  
 Unspecified Radii 0.2mm

Holes +/- .1mm  
 Angles +/- .5 Deg  
 Radii +/- .2mm

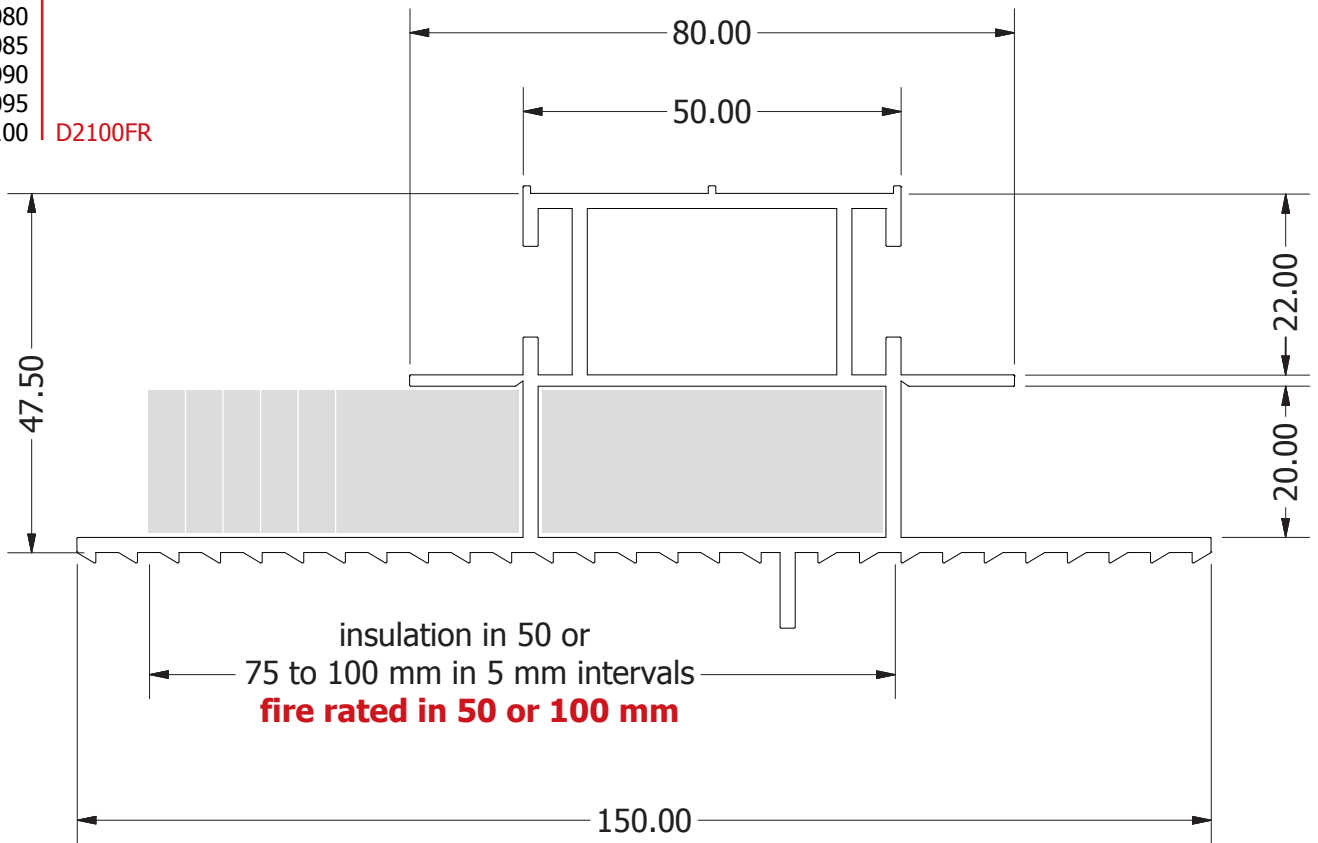
No. Dec Places +/- .5mm  
 1 Dec Place +/- .2mm  
 2 Dec Places +/- .1mm

Master tool  
 Scale 1/4



**Product Codes:**

- D2050 | D2050FR
- D2075
- D2080
- D2085
- D2090
- D2095
- D2100 | D2100FR



Product: D2000 / **D2050FR or D2100 as fire rated**

Scale: 1:1

Material: uPVC



This drawing should be used for illustration purposes only. It can not be used as a specification of the part.  
 For more information please call +44 (0) 161 627 4222 or mailto CustomerService@quantum-ps.co.uk  
 Copyright © 2019 Quantum Profile Systems Limited. All rights reserved.

Date: 06/09/2019  
 Author: diane.luther  
 File: D2000.pdf