

Smoke Ventilation Window

EN certified window

Ideal for head of stairs and corridor applications. The windows are made to order to suit openings and free area requirements. They are equipped with a D+H chain drive for operation.

- EN 12101-2 certified
- Opening within 60 seconds
- 24 V and 230 V options
- Multiple sizes and bespoke designs available
- Dual purpose, smoke and natural ventilation
- Can fit into standard apertures or glazed into curtain walling

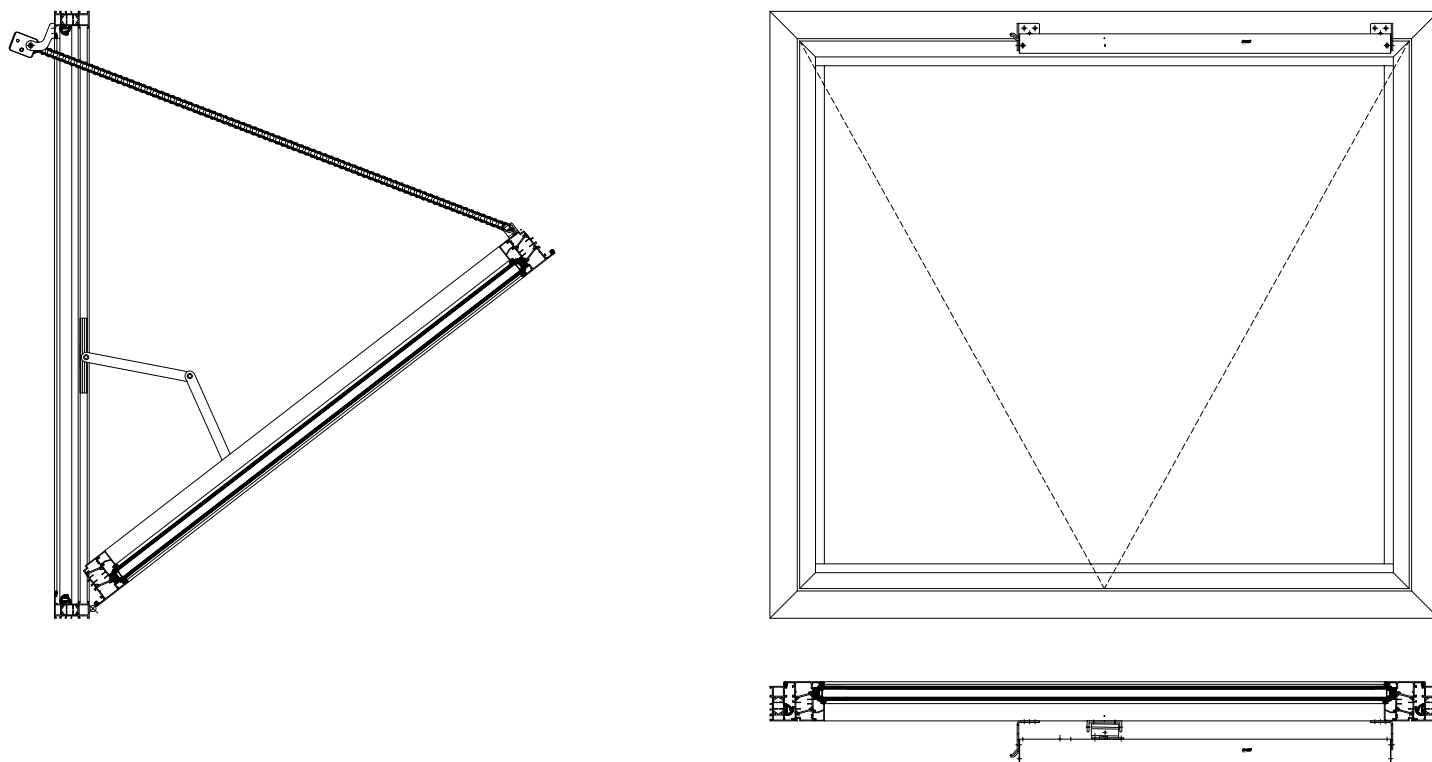
In case of fire, the window will open automatically (as part of the smoke ventilation system), drawing the smoke out. This will keep escape routes free for evacuation and provide clear access for the emergency services.

The window can also be used for natural day-to-day ventilation. This can be done as part of an automatic system using a rain sensor and thermostat, and/or manually with a wall switch.



Smoke Ventilation Window

Product cross section example - bottom-hung smoke window



Technical data - typical values

Certification	CE marked and certified to EN 12101-2
Framework	Thermally broken aluminium
Finish	Polyester powder coated, single or dual colour
Glazing	Double glazed 28mm
Reliability class (Re)	1000
Wind load class (WL)	1500 N/m ²
Resistance to heat	B300 (300 °C)
Low ambient temperature rating (T)	-15°C
Opening time	<60 seconds
Voltage	24v & 230v options
Cable	2.5m silicone

Email Dyer at enquiry@dyerenvironmental.co.uk for more information.