

## Smoke Ventilation F100 Dome Vent

### EN certified smoke roof vent

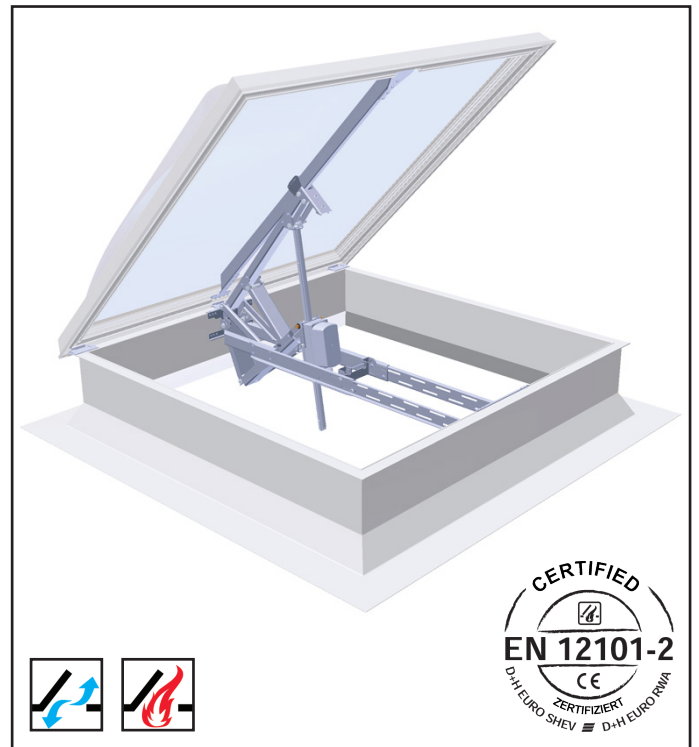
The F100 Dome Vent is an ideal solution for smoke ventilation applications.

The EN 12101-2 certified vent is installed on flat and pitched roofs for smoke extraction. It is ideal for staircases and corridors.

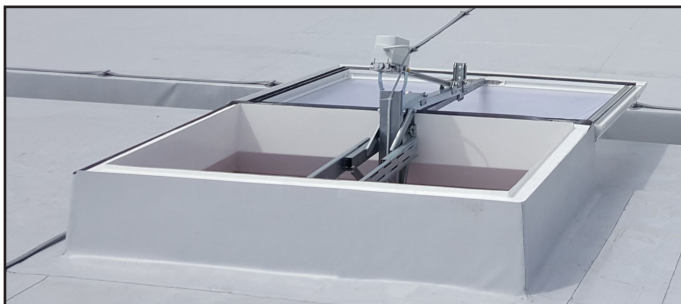
In case of fire, the dome vent will open automatically (as part of the smoke ventilation system), drawing the smoke up and out. This will keep escape routes free for evacuation and provide access for the emergency services.

The product can also be used for natural day-to-day ventilation and can allow for roof access.

- EN 12101-2 certified
- 170° opening within 60 seconds
- 24 V and 230 V options
- Multiple sizes available
- Dual purpose, smoke and natural ventilation
- Roof access (option)
- Dome available in clear and opaque
- Wind deflectors included as standard



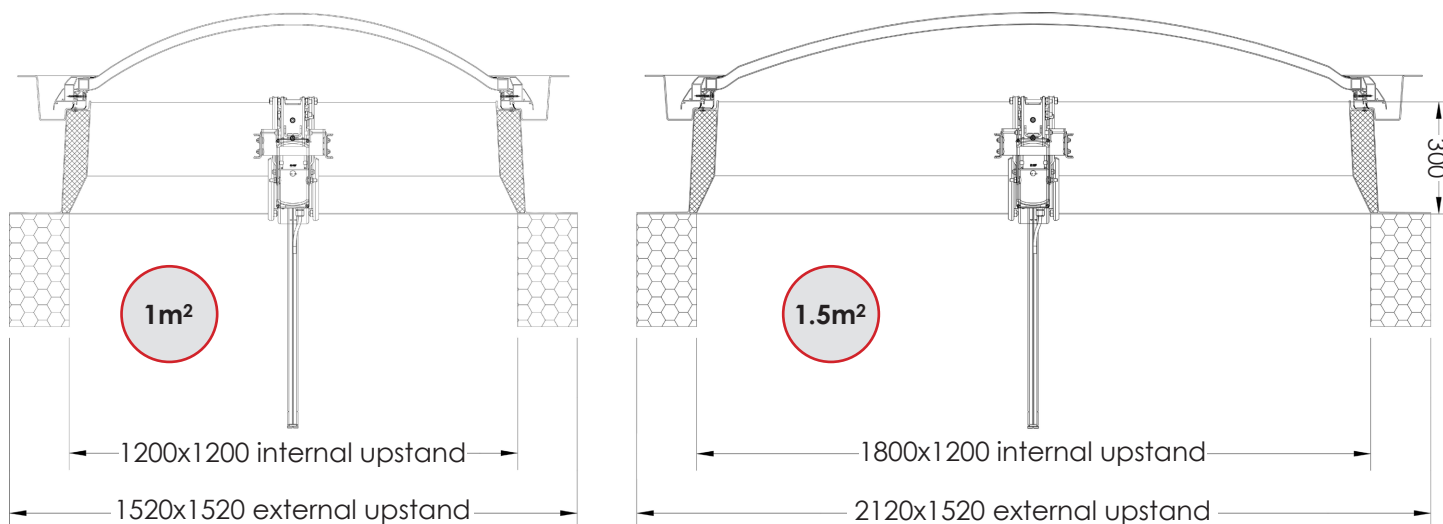
The fibre-reinforced composite upstands are easy to install and feature a weatherproof sealing system.



## Smoke Ventilation F100 Dome Vent

### Product dimensions - standard sizes (mm)

1m<sup>2</sup> and 1.5m<sup>2</sup> Geometric Free Area shown below. A wide range of alternative sizes are available.



### Technical data - standard sizes

|                                    | 1m <sup>2</sup>       | 1.5m <sup>2</sup>     |
|------------------------------------|-----------------------|-----------------------|
| Geometric Free Area                | 1m <sup>2</sup>       | 1.5m <sup>2</sup>     |
| Certification                      | EN 12101-2            | EN 12101-2            |
| Aerodynamic free area (Aa)         | 1.08m <sup>2</sup>    | 1.62m <sup>2</sup>    |
| Reliability class (Re)             | 1000                  | 1000                  |
| Wind load class (WL)               | 1500 N/m <sup>2</sup> | 1500 N/m <sup>2</sup> |
| Snow load class (SL)               | 1202 N/m <sup>2</sup> | 761 N/m <sup>2</sup>  |
| Resistance to heat                 | B300 (300 °C)         | B300 (300 °C)         |
| Low ambient temperature rating (T) | -15°C                 | -15°C                 |
| Maximum opening angle              | 170°                  | 170°                  |
| Opening time                       | <60 seconds           | <60 seconds           |
| Voltage                            | 24v & 230v option     | 24v & 230v option     |
| Current consumption                | 4 amp (24v)           | 4 amp (24v)           |
| Cable                              | 2.5m silicone         | 2.5m silicone         |

### Options

- Multiple dome and upstand sizes available.
- Multiple dome options provided for enhanced thermal performance.

Email Dyer at [enquiry@dyerenvironmental.co.uk](mailto:enquiry@dyerenvironmental.co.uk) for more information.