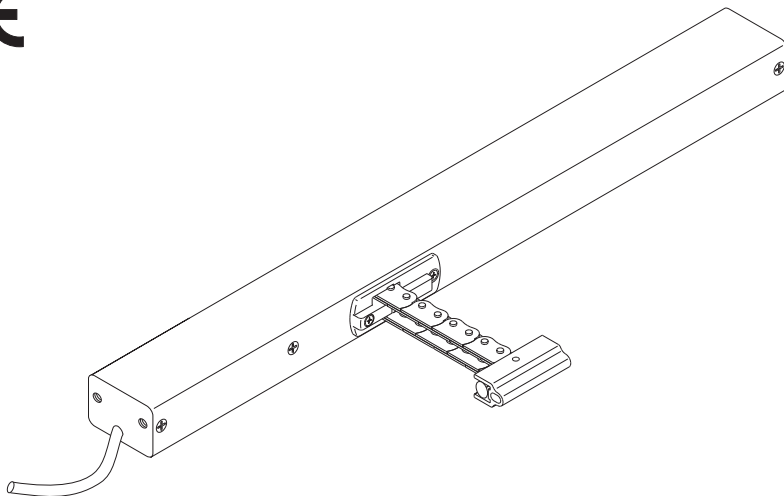




KA 34-K / KA 54 -K instructions



CE



Please order bracket sets separately

WARNING

Read all safety warnings, instructions, illustrations and specifications provided with this product. Failure to follow all instructions listed below may result in electric shock, fire and/or serious injury. Save all warnings and instructions for future reference.

Intended use

- Chain drive for electric opening and closing of windows and flaps in the facade and roof area
- Operating voltage 230 VAC
- Useable for smoke ventilation, D+H Euro-SHEV according to DIN EN 12101-2 as well as daily natural ventilation
- Suitable for indoor mounting only

Scope of supply

Drive unit with 2.5 m silicone cable. Depending on the type of window, different bracket sets are available separately.

Features

- Microprocessor controlled electronics
- Protection system for the main closing edge
- Relief of pressure on window gasket after closing

Safety notes

Operating voltage 230 VAC!

Risk of injury from electric shock!

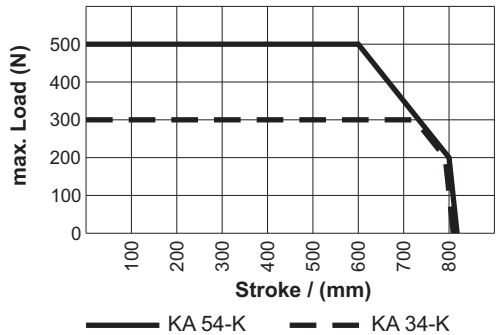
Do not reverse L+N! Connect PE!

- Connection must be carried out by a certified electrical technician
- Danger of crushing hands and fingers!
- Keep people away from the operating area of the drive
- Keep children away from the control
- Observe pressure load diagram of the chain
- Use only in dry rooms
- Suitable for indoor mounting only.
Use rain detector in locations if there is a risk of rain
- This product may not be operated without the covering stoppers, which are delivered with bracket sets
- Use unmodified original D+H parts only
- Observe the bracket-set mounting instructions

Observe enclosed red safety note!

Pressure load diagram

Observe maximum pressure load of the chain!
Maximum pressure load of the chain is not automatically identical with maximum pressure force of the drive!

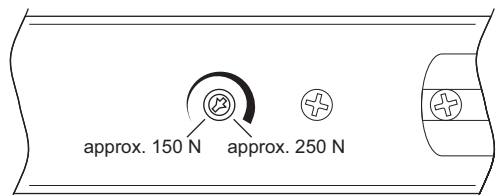
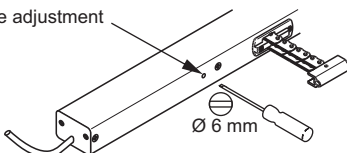


Locking force adjustment

If factory-set locking pressure of approx. 150 N is not sufficient to close the window, it can be infinitely increased up to approx. 250 N.

Put in covering stopper after adjustment.

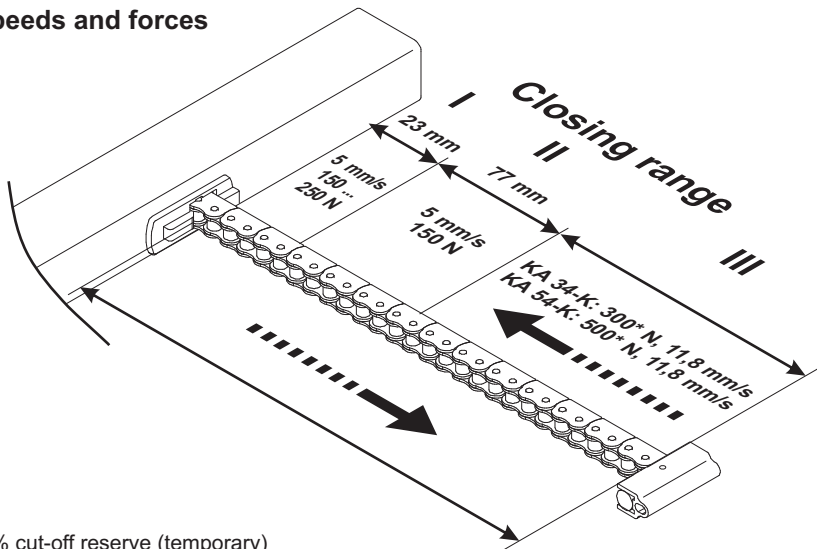
Locking force adjustment



Technical data

Type	KA 34-K	KA 54-K
Supply	230 V AC / $\pm 15\%$ / 50 Hz	230 V AC / $\pm 15\%$ / 50 Hz
Power consumption	24 W / 40 VA	32 W / 52 VA
Nominal force	300 N	500 N
Nominal locking force	2000 N	
Service life	>20 000 double strokes	
Duty cycle	30 % (With cycle time 10 minutes)	
Housing	Aluminium powder-coated (~RAL 9006)	
Ingress protection	IP 32 (With covering stoppers delivered with bracket sets)	
Temperature range	-5 ... +75°C	
Emission sound pressure level	LpA ≤ 70 dB(A)	
Nominal stroke length	See type plate	
Additional functions	Closing edge protection activated (3 stroke repetitions) Locking relief activated	

Running speeds and forces

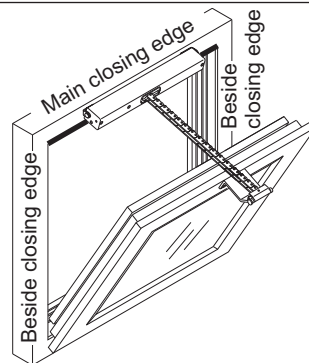


* + approx. 20 % cut-off reserve (temporary)

Closing edge protection

In the "CLOSE" direction the drive has an active protection for the main closing edge. If there is an overload in the closing range 3 and 2, the drive runs "OPEN" for 10 seconds, then "CLOSE" again. If after three attempts closing is not possible, the drive remains in this position.

In addition, the drive is equipped with passive protection. The closing speed in closing range 2 and 1 is reduced to 5 mm/s.



Significantly greater forces can be exerted at the secondary closing edges. Danger of crushing hands and fingers!

Maintenance and cleaning

Maintenance work is only allowed when the device is in a de-energized condition! Inspection and maintenance has to be carried out according to D+H maintenance notes. Only original D+H spare parts may be used. Repair is to be carried out exclusively by D+H. Wipe away debris or contamination with a dry, soft cloth. Do not use cleaning agents or solvents.

Guarantee

You will get 2 years guarantee for all D+H products from date of verified handing over of the system up to maximal 3 years after date of delivery, when mounting and starting has been carried out by an authorized D+H-distributor. D+H guarantee is expired, with connection of D+H components with external systems or with mixing of D+H products with parts of other manufacturers.

Declaration of Conformity

We declare under our sole responsibility that the product described under "Technical Data" is in conformity with the following directives:

2014/30/EU, 2014/35/EU

Technical file at:
D+H Mechatronic AG, D-22949 Ammersbek

Dirk Dingfelder
Member of the Board
31.03.2016

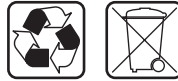
Maik Schmees
Authorized signatory, Technical Director

Disposal

Electrical devices, accessories, batteries and packaging should be sorted for environmental-friendly recycling. Do not dispose electrical devices and batteries into household waste!

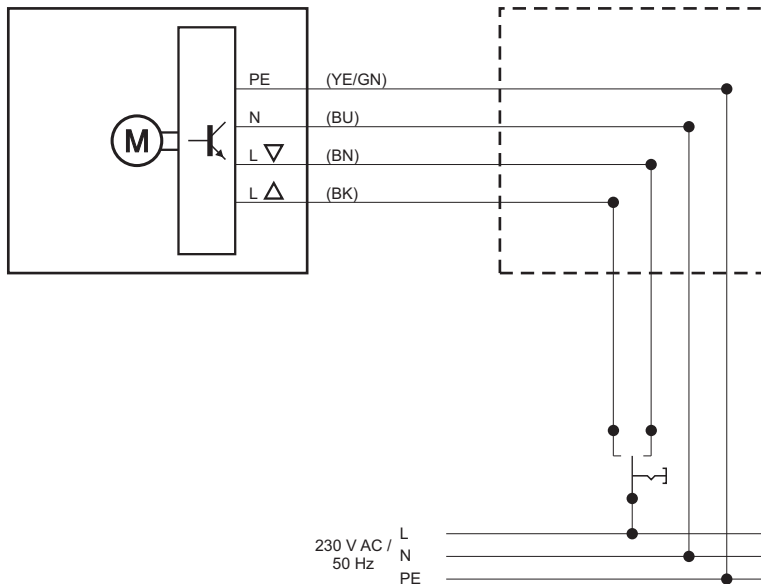
Only for EC countries:

According the European Guideline 2012/19/EU for waste electrical and electronic equipment and its implementation into national right, electrical devices that are no longer usable must be collected separately and disposed of in an environmentally correct manner.



Connection

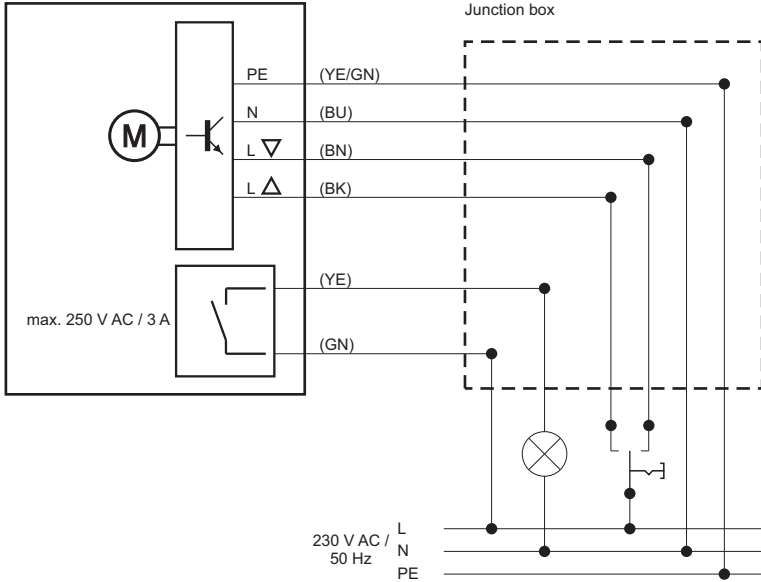
KAxx-K



- (BK) black
- (BN) brown
- (BU) blue
- (YE) yellow
- (GN) green

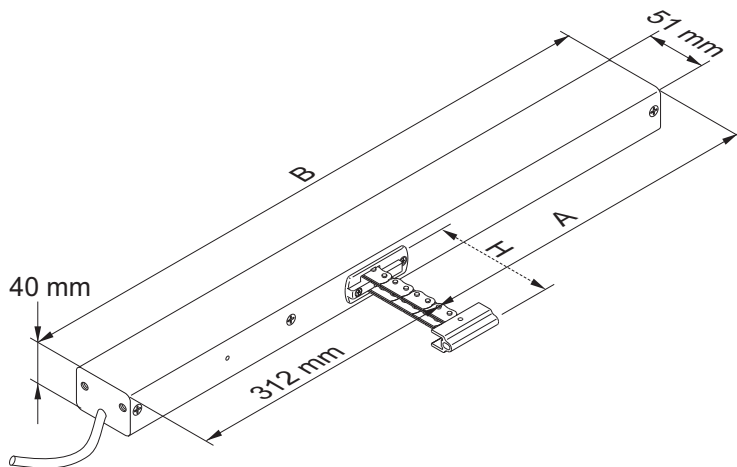
Connection

KAxx-K -MA /-MZ



- (BK) black
- (BN) brown
- (BU) blue
- (YE) yellow
- (GN) green

Dimensions



H	A	B
350	248	560
500	323	635
600	373	685
700	423	735
800	473	785
1000	577	889
1100	629	941
1200	679	991
1300	729	1041



Dyer Environmental Controls Ltd
Unit 10 Lawnhurst Trading Estate, Cheadle Heath,
Stockport SK3 0SD

Tel: +44 (0)161 491 4840
E-Mail: enquiry@dyerenvironmental.co.uk

www.dyerenvironmental.co.uk