

MADINI – “Hole in the Wall” Fireplace

Index # 110, Rev-1, Page 1 of 2

CVO Fire : 01325-301020 : www.cvo.co.uk : sales@cvo.co.uk

DESCRIPTION:

- This item is supplied as a complete fireplace including black steel enclosure and gas fire basket with a “AA” battery remote control with infra red handset and a 29 piece ceramic pebble set.
- There are optional extras to consider:
 - Gather unit with 125mm spigot to attached to a flue liner [see technical notes]
 - Mains power supply upgrade for the remote system.
 - 4pc natural stone or 1pc metal trim to be bonded to the wall [to cover any unfinished plaster]
 - Upgrade from a Black Steel to a Brushed Stainless or Natural Stone Enclosure.

CE APPROVAL:

CE tested, approved and available for all member states where the following gas categories are used.

Natural Gas = I2H, I2E, I2E+ and I2L.

LPG/Propane = NOT AVAILABLE

DIMENSIONS:

See attached technical drawings for construction sizes.

Fireplace opening Size is 840mm (wide) x 250mm (h), enclosure depth is 306mm.

POWER RATING:

High and low flame setting (gas only):

Heat input high: 4.9kw

Heat input low: 2.4kw

Approximate running costs per hour on high (subject to your gas supplier tariff): 17p/hour.

VENTILATION:

No additional room ventilation from outside is required (air vent).

OTHER TECHNICAL INFORMATION:

1. The standard opening size for this fire is 840mm (wide) x 250mm (h).
2. The fire is approved with a minimum flue diameter of 125mm diameter or minimum area of 125cm².
3. The fire is CE approved with a minimum flue height of 2 meters measured from the top of the gather spigot.
4. **Gather:** A standard gather can be supplied as an optional extra with the fire and it is strongly advised to purchase the gather with the fire. Using the gather will reduce the possibility of debris falling into the fire from the chimney stack and will help to reduce the draw when using a larger and longer flue system than the minimum allowed. This will also preserve some of the heat and increase the efficiency of the fire.
5. **Remote System:** The fire is operated by a battery remote system that has 6 x AA batteries within the fire body. The fire is operated by an infra red handset which controls the heat UP/DOWN and switches the appliance ON/OFF. There is an additional option to convert from batteries to mains power supply to avoid changing batteries (discuss with sales when ordering).
6. **Trim:** There is an option to add a 4pc natural stone trim around the fire opening or a 1pc metal trim in brushed steel or black steel.

=====
CVO reserve the right to amend and improve the specification sheets without prior notice. If in doubt about any aspect of this specification please call. The specification is not to be used to install the fireplace. Every fire is supplied with an official install booklet. Spirit Fires Limited own the Spirit, CVO and Firevault Trademarks. Copying and distribution of these specifications is not permitted without the permission of Spirit Fires Ltd. All dimensions include a +/-2mm tolerance.

Spirit Fires Ltd, 4 Beaumont Square Durham Way South, Newton Aycliffe County Durham, DL5 6XN

Sales: +44 (0)1325-301020 Office: +44 (0) 1325 327 221 Fax: +(0)1325 327 292 Email: sales@cvo.co.uk Web: www.cvo.co.uk

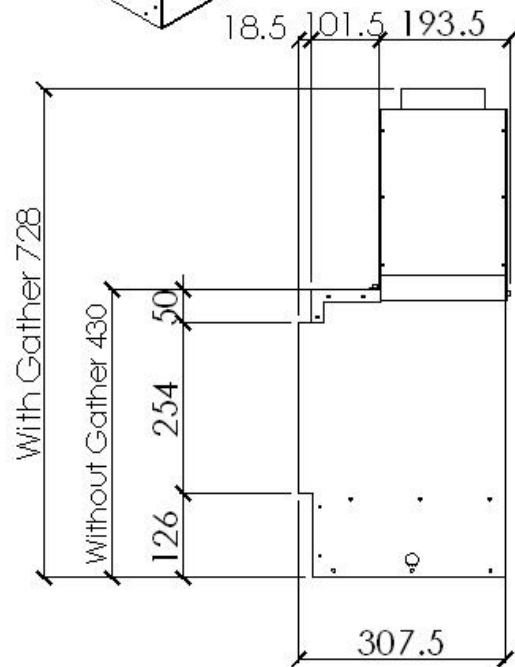
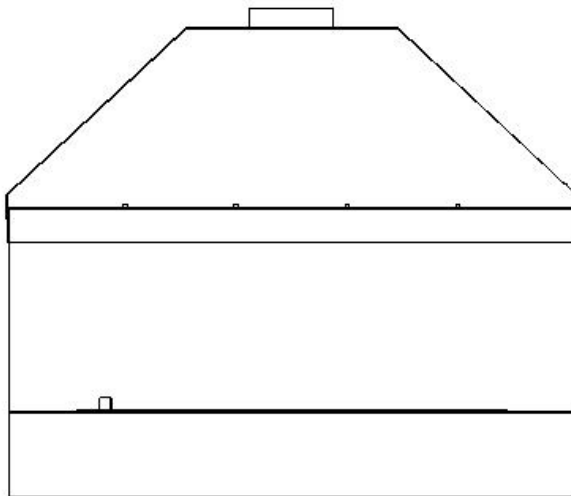
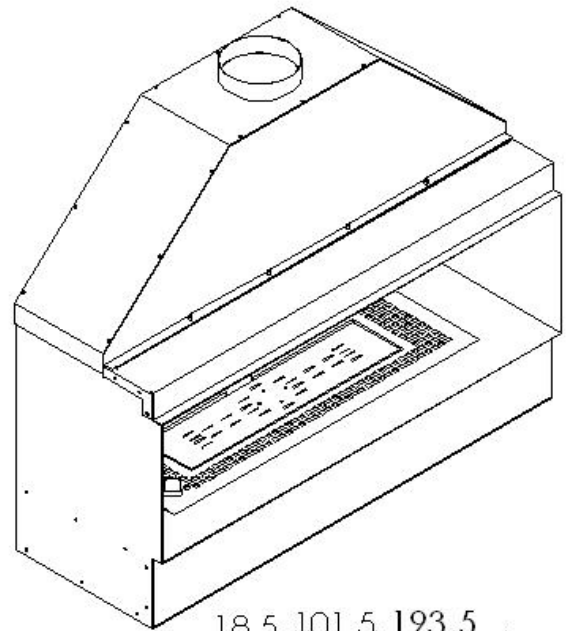
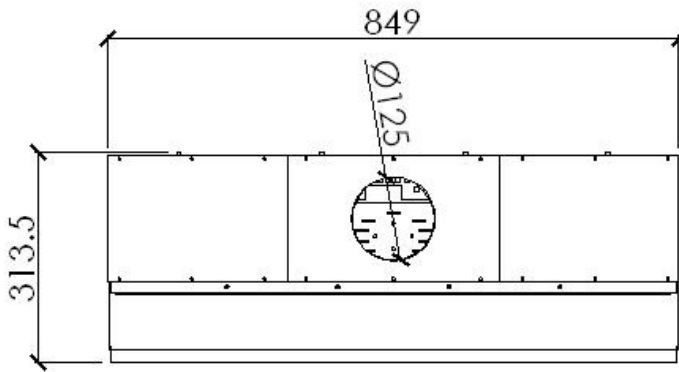
SHOWROOM: CVO Fires can be seen live in our FIREVAULT showrooms based in the North and South of the UK.

Visit www.firevault.co.uk or call 01325-301020 for full contact details, location maps and directions.

MADINI – “Hole in the Wall” Fireplace

Index # 110, Rev-1, Page 2 of 2

CVO Fire : 01325-301020 : www.cvo.co.uk : sales@cvo.co.uk



=====
CVO reserve the right to amend and improve the specification sheets without prior notice. If in doubt about any aspect of this specification please call. The specification is not to be used to install the fireplace. Every fire is supplied with an official install booklet. Spirit Fires Limited own the Spirit, CVO and Firevault Trademarks. Copying and distribution of these specifications is not permitted without the permission of Spirit Fires Ltd. All dimensions include a +/-2mm tolerance.

Spirit Fires Ltd, 4 Beaumont Square Durham Way South, Newton Aycliffe County Durham, DL5 6XN
Sales: +44 (0)1325-301020 Office: +44 (0) 1325 327 221 Fax: +(0)1325 327 292 Email: sales@cvo.co.uk Web: www.cvo.co.uk

SHOWROOM: CVO Fires can be seen live in our FIREVAULT showrooms based in the North and South of the UK.
Visit www.firevault.co.uk or call 01325-301020 for full contact details, location maps and directions.