

## SMALL OVAL GAS FIRE BOWL (with Hole in the Wall Enclosure)

Index # 8, Rev-22 / Page 1 of 3

CVO Fire : 01325-301020 : [www.cvo.co.uk](http://www.cvo.co.uk) : [sales@cvo.co.uk](mailto:sales@cvo.co.uk)

### MATERIAL OPTIONS:

FIRE BOWL OPTIONS : White Cast Stone, Black Cast Stone, Hand Polished Aluminium or Hand Polished Bronze.

ENCLOSURE OPTIONS : Satin Black Steel, Rosal Limestone, Black Granite, Hand Polished Bronze, Brushed Stainless Steel.

ENCLOSURE FASCIA OPTIONS : The Metal Enclosure has an option to fit a 4pc Fascia made of Stone.

### CE APPROVAL:

Currently CE tested, approved and available for EU Countries.

Natural Gas

(I2H) - G20 - 20mBar

(I2E+) - G20/G25 - 20/25mBar

(I2L) - G25 - 25mBar

(I2E) - G20 - 20mBar

Propane/LPG

(I3P) - G31 @ 30mBar, 37mBar & 50mBar



### DIMENSIONS:

Overall dimensions of the Fire Bowl: HEIGHT: 198mm x WIDTH: 490mm x DEPTH: 340mm

Dimensions of enclosure opening [using CVO Enclosure]: HEIGHT: 620mm x WIDTH: 650mm x DEPTH: 470mm

For construction opening see drawings attached on Page 2 [Metal Enclosure] or Page 3 [Stone Enclosure]

### SMALL OVAL POWER RATING:

The Small Oval Fire Bowl in Manual Control has 2 separate power ratings - High and Low flame. All Fire Bowls are supplied as the Low Power Version unless specified at time of ordering. Note: Due to the increase in power the 9.5Kw version also has an increase in noise. This is out of our control.

#### LOW POWER VERSION- Manual Control Only

Heat Input NG	(I2H)	(High to Low)	7.4Kw to 5.7Kw	Running Cost - 18.5p per Hour
---------------	-------	---------------	----------------	-------------------------------

Heat Input LPG	(I3P)	(High to Low)	7.0Kw to 5.4Kw	Running Cost - 52.5p per Hour
----------------	-------	---------------	----------------	-------------------------------

#### HIGH POWER VERSION - Manual

Heat Input NG	(I2H)	(High to Low)	9.5Kw to 7.0Kw	Running Cost - 23.8p per Hour
---------------	-------	---------------	----------------	-------------------------------

Heat Input LPG	(I3P)	(High to Low)	9.5Kw to 6.7Kw	Running Cost - 71.3p per Hour
----------------	-------	---------------	----------------	-------------------------------

### VENTILATION:

- a. For 7.4Kw Version - no additional room ventilation from outside is required (air vent).
- b. For 9.5kw Version- this appliance requires 8cm<sup>2</sup> of additional room ventilation from outside (air vent).

### OTHER TECHNICAL INFORMATION:

2. The fire bowl is available to buy as a separate item.
3. Running costs are the approximate running cost per hour with the fire on the high setting.
4. Fire Bowl is designed for use with a Class 1 Chimney or a 1m x 175mm Flue Liner. The standard enclosure has a gather with a 175mm spigot. When using the fire in a brick built chimney it must be swept and tested prior to installation.
5. Manual Control Ignition System.
6. Metal Cast Bowls: Bowls which are manufactured from Cast Metal are sand cast at a UK Foundry and then Hand Polished for over 15 Hours at the CVO Fire Factory. Pitting and Air Holes are a normal occurrence and are a part of the unique quality of such a hand made piece. All Bowls are inspected and given a full quality control check at the factory. Once the Bowl is installed it will be seen that the overall beauty and uniqueness of your CVO Fire outweighs what is a very minor feature of casting.
7. Gas Noise: The high power version of this appliance uses a higher rate of gas and as such creates higher noise. If noise is an issue it is advised to purchase the low power version.
8. Enclosure: The Fire has been CE tested to work with an enclosure made to the size shown on page 2 with Class 1 flue. When installing the fire into a non-CVO enclosure the fire must be installed to ensure it operates safely. CVO cannot accept any responsibility for the suitability of the appliance when installed in other enclosures.
9. The gather is not supplied with the enclosure as it is an optional extra. Please specify when ordering.
10. The CVO metal enclosure is a complete box with a flange to bond the stone trim to.
11. The CVO stone enclosure is supplied in sections for install into a pre-built chamber.
12. If in doubt about any aspects of this specification please call 01325-301020 before ordering.

=====  
 CVO reserve the right to amend and improve the specification sheets without prior notice. If in doubt about any aspect of this specification please call. The specification is not to be used to install the fireplace. Every fire is supplied with an official install booklet. Spirit Fires Limited own the Spirit, CVO and FIREVAULT Trademarks. Copying and distribution of these specifications is not permitted without the permission of Spirit Fires Ltd. All dimensions include a +/-2mm tolerance.

Spirit Fires Ltd, 4 Beaumont Square, Durham Way South, Newton Aycliffe County Durham, DL5 6XN

Sales: +44 (0)1325-301020 Office: +44 (0) 1325 327 221 Fax: +(0)1325 327 292 Email: [sales@cvo.co.uk](mailto:sales@cvo.co.uk) Web: [www.cvo.co.uk](http://www.cvo.co.uk)

SHOWROOM: CVO Fires can be seen live in our FIREVAULT showrooms based in the North and South of the UK.

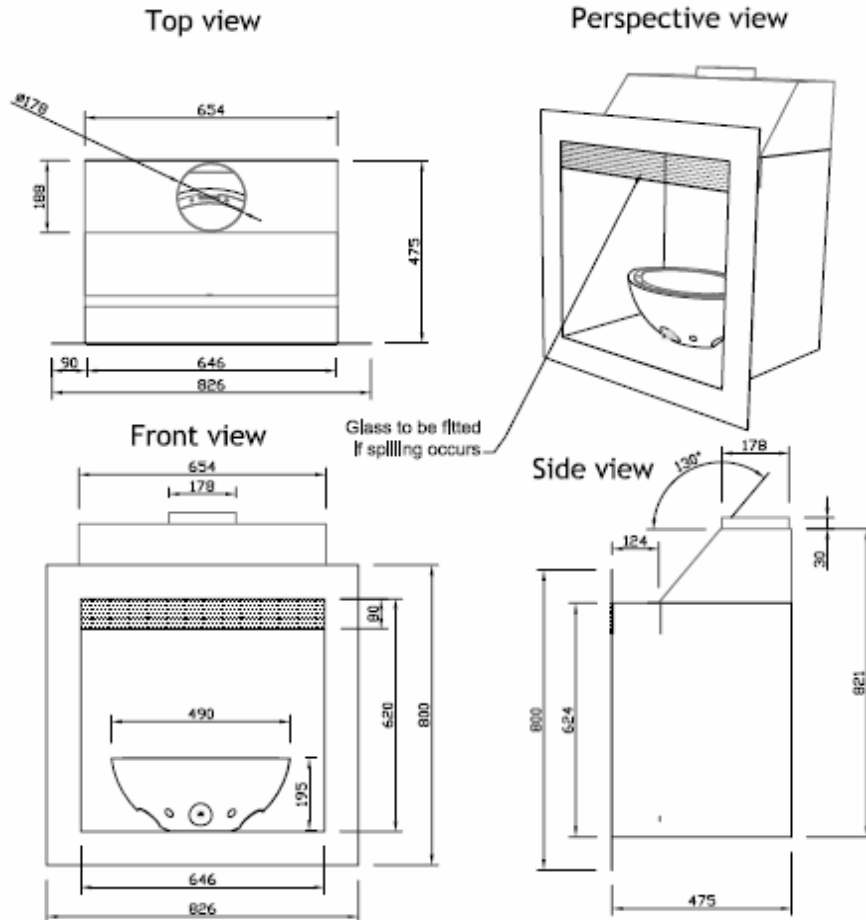
Visit [www.firevault.co.uk](http://www.firevault.co.uk) or call 01325-301020 for full contact details, location maps and directions.

## SMALL OVAL GAS FIRE BOWL (with Hole in the Wall Enclosure)

Index # 8, Rev-22 / Page 2 of 3

CVO Fire : 01325-301020 : [www.cvo.co.uk](http://www.cvo.co.uk) : [sales@cvo.co.uk](mailto:sales@cvo.co.uk)

NOTE - The dimensions on this product are for a powder coated steel enclosure.



For the builders opening please allow room for adjustments and for the gas and electric supply

-----  
 CVO reserve the right to amend and improve the specification sheets without prior notice. If in doubt about any aspect of this specification please call. The specification is not to be used to install the fireplace. Every fire is supplied with an official install booklet. Spirit Fires Limited own the Spirit, CVO and FIREVAULT Trademarks. Copying and distribution of these specifications is not permitted without the permission of Spirit Fires Ltd. All dimensions include a +/-2mm tolerance.

Spirit Fires Ltd, 4 Beaumont Square, Durham Way South, Newton Aycliffe County Durham, DL5 6XN  
 Sales: +44 (0)1325-301020 Office: +44 (0) 1325 327 221 Fax: +(0)1325 327 292 Email: [sales@cvo.co.uk](mailto:sales@cvo.co.uk) Web: [www.cvo.co.uk](http://www.cvo.co.uk)

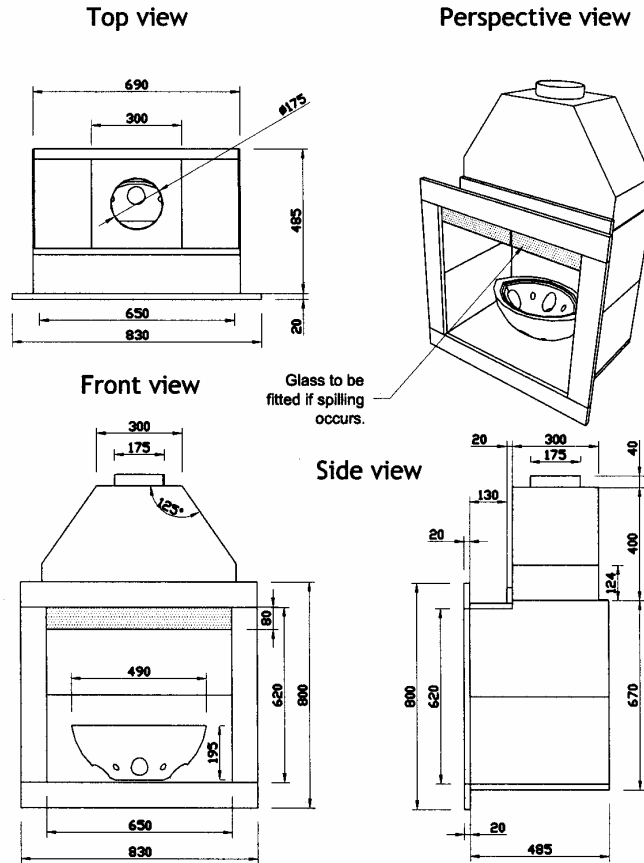
SHOWROOM: CVO Fires can be seen live in our FIREVAULT showrooms based in the North and South of the UK.  
 Visit [www.firevault.co.uk](http://www.firevault.co.uk) or call 01325-301020 for full contact details, location maps and directions.

## SMALL OVAL GAS FIRE BOWL (with Hole in the Wall Enclosure)

Index # 8, Rev-22 / Page 3 of 3

CVO Fire : 01325-301020 : [www.cvo.co.uk](http://www.cvo.co.uk) : [sales@cvo.co.uk](mailto:sales@cvo.co.uk)

NOTE - The dimensions on this product are for a stone enclosure.



For the builders opening please allow room for adjustments and for gas and electric supply.

=====  
 CVO reserve the right to amend and improve the specification sheets without prior notice. If in doubt about any aspect of this specification please call. The specification is not to be used to install the fireplace. Every fire is supplied with an official install booklet. Spirit Fires Limited own the Spirit, CVO and FIREVAULT Trademarks. Copying and distribution of these specifications is not permitted without the permission of Spirit Fires Ltd. All dimensions include a +/-2mm tolerance.

Spirit Fires Ltd, 4 Beaumont Square, Durham Way South, Newton Aycliffe, County Durham, DL5 6XN  
 Sales: +44 (0)1325-301020 Office: +44 (0) 1325 327 221 Fax: +(0)1325 327 292 Email: [sales@cvo.co.uk](mailto:sales@cvo.co.uk) Web: [www.cvo.co.uk](http://www.cvo.co.uk)

SHOWROOM: CVO Fires can be seen live in our FIREVAULT showrooms based in the North and South of the UK. Visit [www.firevault.co.uk](http://www.firevault.co.uk) or call 01325-301020 for full contact details, location maps and directions.