

DOUBLE SIDED FIRE RIBBON™

Index # 48, Rev-9, Page 1 of 2

CVO Fire : 01325-301020 : www.cvo.co.uk : sales@cvo.co.uk

OPTIONS:

This Fire is supplied as a Full Suite with Burner, Enclosure, 2 x Fascia and Gather.

ENCLOSURE MATERIAL: Polished Steel

FASCIA OPTIONS: Choose 2 fascias made from natural stone – see the complete choice of stone types on the website.

Bespoke designs are possible – please ask.

CE APPROVAL:

The Ribbon Burner is CE approved for the following gas categories and is available for all European Countries.

- NATURAL GAS
 - I2H-G20-20mBar, I2E-G20-20mBar, NG-I2E⁺-G20/G25-20/25mBar
- LPG/Propane
 - LPG-I3P(37)-G31-37mBar

DIMENSIONS:

Overall dimensions of fascias:

HEIGHT: 605mm x WIDTH: 1345mm x DEPTH: 40mm

Dimensions of standard enclosure opening:

HEIGHT: 265mm x WIDTH: 845mm

Dimensions of required construction opening:

With Stone Fascias HEIGHT: 870mm x WIDTH: 950mm x DEPTH: 450mm

With Metal Fascias HEIGHT: 870mm x WIDTH: 950mm x DEPTH: 490mm

TECHNICAL INFORMATION:

Natural Gas : 12.1kw [42p/hour]Flow Rate : 1.5m³/Hour

LPG/Propane: 12.4kw [94p/hour]Flow Rate: 0.8m³/Hour

Other power setting available as a bespoke request.

VENTILATION:

This appliance requires 21cm² of additional room ventilation from outside (air vent).

PIPE WORK:

This is a high power appliance and needs a strong, steady gas supply. See above. Ensure that pipe work is checked, flow rated and if required upgraded before installing appliance.

FLUE SYSTEM:

1. The fire is supplied with the Gather and this must be used to ensure fire operates safely.
2. The fire has been designed to be used with a 200mm flue liner.
3. This type of "double sided" installation may require special flue requirements and in some instances mechanical extraction to operate safely. Seek advice from a Flue Specialist.
4. If the flue system is not strong enough to ensure the fire operates safely and the purchaser does not want to use a fan system then an additional glass panel may be fitted on one side.
5. The fire is supplied as a complete set with burner unit, enclosure, gather and two fascias. The fascias must be fitted to ensure the burner carriage has adequate ventilation. The fascia must be "floating in the wall" for the fire to operate safely.
6. Fire is available for NG or LPG, specify which is required when ordering.
7. ODS (Oxygen Depletion System) fitted to monitor oxygen levels in the room.
8. The fireplace must be designed with burner ventilation provided into the burner tray. This can be done using a duct to floor level. There is a separate specification with guidance – ask for a copy.
9. The fire is operated by an "AA" battery remote system with a handset. There is an option to purchase a mains power supply upgrade. Ask for details.
10. The remote is fully sequential and operates ON/OFF and UP/DOWN .

=====
CVO reserve the right to amend and improve the specification sheets without prior notice. If in doubt about any aspect of this specification please call. The specification is not to be used to install the fireplace. Every fire is supplied with an official install booklet. Spirit Fires Limited own the Spirit, CVO and Firevault Trademarks. Copying and distribution of these specifications is not permitted without the permission of Spirit Fires Ltd. All dimensions include a +/-2mm tolerance.

Spirit Fires Ltd, 4 Beaumont Square, Durham Way South, Newton Aycliffe, County Durham, DL5 6XN

Sales: +44 (0)1325-301020 Office: +44 (0) 1325 327 221 Fax: +(0)1325 327 292 Email: sales@cvo.co.uk Web: www.cvo.co.uk

SHOWROOM: CVO Fires can be seen live in our FIREVAULT showrooms based in the North and South of the UK.

Visit www.firevault.co.uk or call 01325-301020 for full contact details, location maps and directions.

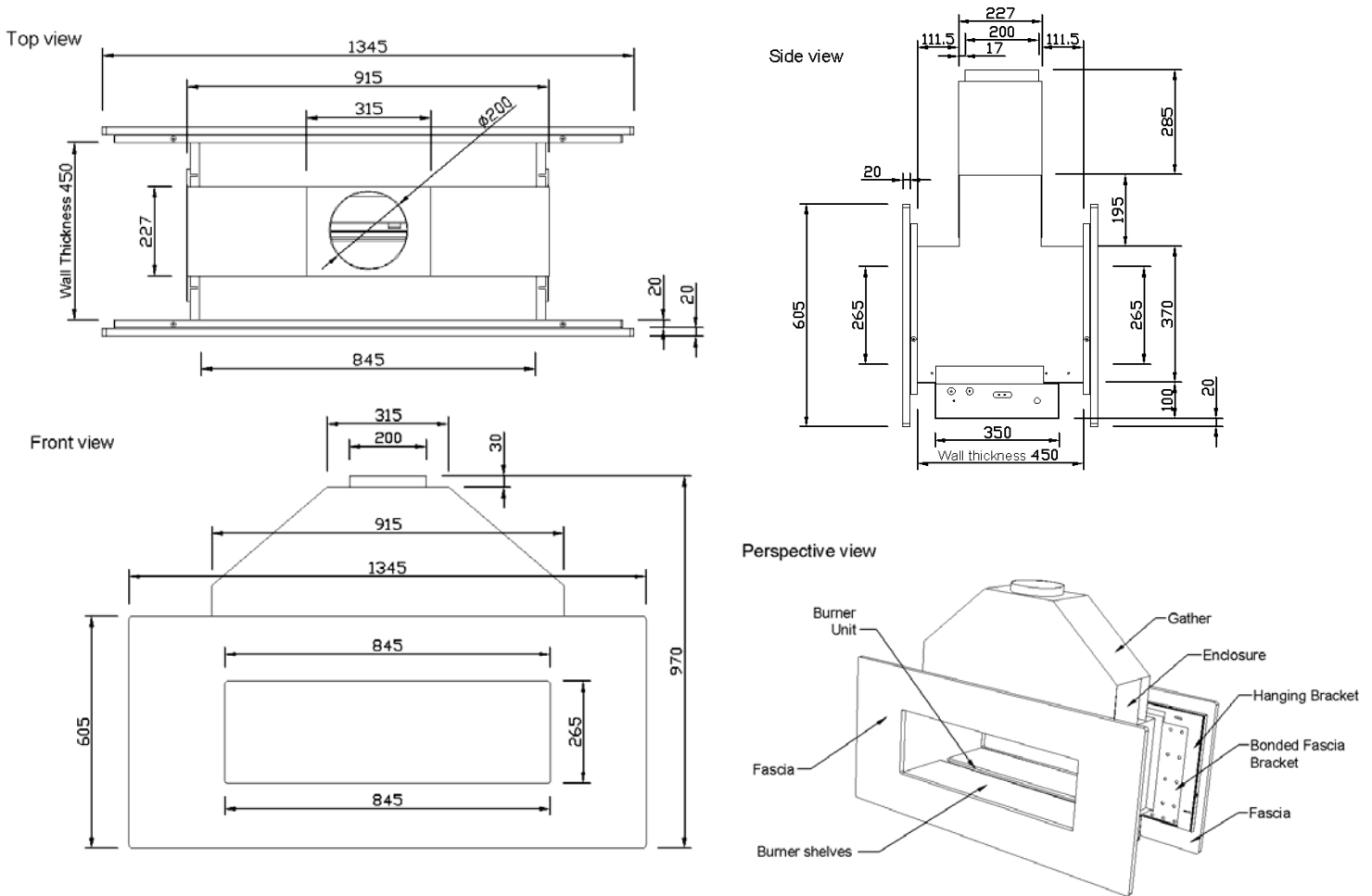
TECHNICAL
SPECIFICATION



DOUBLE SIDED FIRE RIBBON™

Index # 48, Rev-9, Page 2 of 2

CVO Fire : 01325-301020 : www.cvo.co.uk : sales@cvo.co.uk



* Note - The Standard wall thickness with stone fascias fitted
The Standard wall thickness with metal fascias fitted is 490mm.

=====
CVO reserve the right to amend and improve the specification sheets without prior notice. If in doubt about any aspect of this specification please call. The specification is not to be used to install the fireplace. Every fire is supplied with an official install booklet. Spirit Fires Limited own the Spirit, CVO and Firevault Trademarks. Copying and distribution of these specifications is not permitted without the permission of Spirit Fires Ltd. All dimensions include a +/-2mm tolerance.

Spirit Fires Ltd, 4 Beaumont Square, Durham Way South, Newton Aycliffe, County Durham, DL5 6XN
Sales: +44 (0)1325-301020 Office: +44 (0) 1325 327 221 Fax: +(0)1325 327 292 Email: sales@cvo.co.uk Web: www.cvo.co.uk

SHOWROOM: CVO Fires can be seen live in our FIREVAULT showrooms based in the North and South of the UK.
Visit www.firevault.co.uk or call 01325-301020 for full contact details, location maps and directions.