

CORONA – Traditional Flueless Gas Fire

Index # 64 - Rev-9 / 18-Dec-2014 / Page 1 of 2

CVO Fire : 01325-301020 : www.cvo.co.uk : sales@cvo.co.uk

DESCRIPTION:

- This fire is supplied as a complete suite including a flueless gas fire, metal fascia, backing plate and hearth. The wooden surround is made from solid wood - Oak or Walnut [not veneer]. The fire can have a black or stainless fascia
- If using this fire to replace an existing surround and hearth set up with a chimney, the original chimney must be blocked up and sealed before the fire is installed. Failure to do this will result in damage to the new fireplace. The Fire must only be installed within a room of suitable size. The "Minimum" is shown below. This is m³ which can be calculated by this formula – h x w x d.
 - 2.7Kw Version = 27m³
 - 3.5Kw Version = 40m³
 - If the room size is smaller than 100m³ it is advised to purchase the 2.7Kw version.
- The Fire requires fresh air ventilation with a vent which provides a minimum volume of "free air" (not the size of the grille) as shown below. This vent must be over 1 meter away from the appliance.
 - 2.7Kw Version = 100cm² "Free Air"
 - 3.5Kw Version = 125cm² "Free Air"
- The Room in which the appliance is to be installed must also have a window which can be opened if required. The fire cannot be installed in a bedroom, bathroom or basement.
- As this is an open flamed appliance consideration should be given to elderly, infirm or children and the use of a "fire guard" may be required. These can be purchased from most large DIY stores.
- If you have any technical questions about this appliance please call 01325-301020.
- Flueless Gas Fires are classed as a decorative, secondary heat source.

OPTIONS:

- Manual Control – Natural Gas – 2.7kW or 3.5kW
- Manual Control – LPG – 3.5Kw

CE APPROVAL:

- Natural Gas
- I2H – G20 – 20mBar - AT, CH, CZ, DK, ES, FI, GB, GR, IE, IT, NO, PT, SE
- I2E – G20 – 20mBar - DE, LU
- I2E+ – G20/G25 – 20/25mBar - BE, FR
- I2L – G25 – 25mBar – NL
- LPG / Propane
- I3P(37) – G31 – 37mBar - ES, GB, GR, IE, IT, PT
- I3B/P(30) – G31/G30 – 30mBar - CH, CZ, DK, FI, GR, NL, NO, SE
- I3+ - G30 – 28-30mBar - BE, CH, CZ, ES, FR, GB, GR, IE, IT, PT
- I3+ - G31 – 37mBar - BE, CH, CZ, ES, FR, GB, GR, IE, IT, PT



DIMENSIONS [see page 2]:

- Overall Surround Size = 1360mm (w) x 1145mm (h) plus 50mm hearth depth.
- Overall Gas Fire Size = 705mm (w) x 725mm (h).

ORDERING:

- To order please call 01325-301020.
- To process your order you will need to know the gas type and the control system you require.

=====

CVO reserve the right to amend and improve the specification sheets without prior notice. If in doubt about any aspect of this specification please call. The specification is not to be used to install the fireplace. Every fire is supplied with an official install booklet. Spirit Fires Limited own the Spirit, CVO and FIREVAULT Trademarks. Copying and distribution of these specifications is not permitted without the permission of Spirit Fires Ltd. All dimensions include a +/-2mm tolerance.

Spirit Fires Ltd, 4 Beaumont Square Durham Way South, Newton Aycliffe County Durham, DL5 6XN

Sales: +44 (0)1325-301020 Office: +44 (0) 1325 327 221 Fax: +(0)1325 327 292 Email: sales@cvo.co.uk Web: www.cvo.co.uk

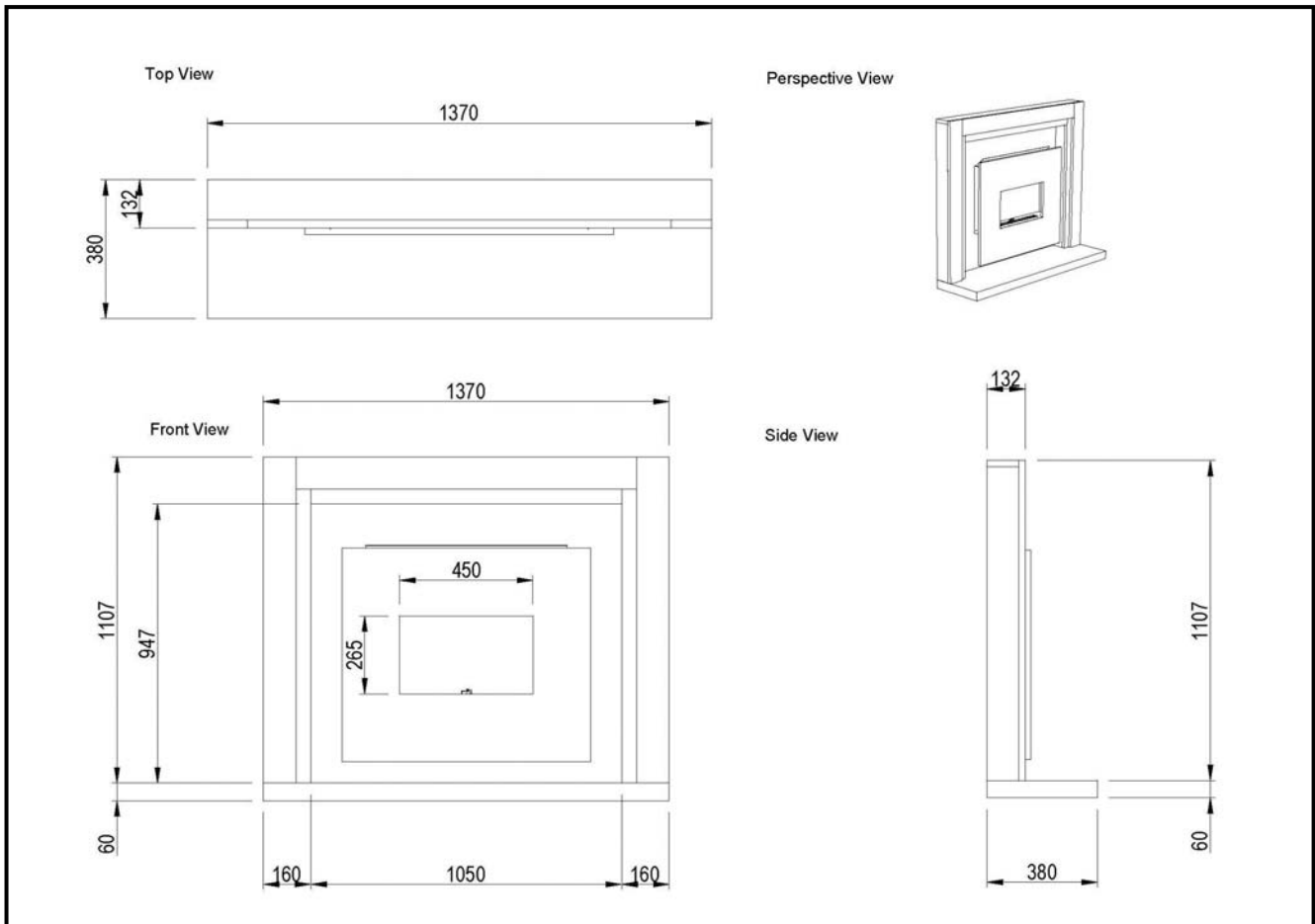
SHOWROOM: CVO Fires can be seen live in our FIREVAULT showrooms based in the North and South of the UK.

Visit www.firevault.co.uk or call 01325-301020 for full contact details, location maps and directions.

CORONA – Traditional Flueless Gas Fire

Index # 64 - Rev-9 / 18-Dec-2014 / Page 2 of 2

CVO Fire : 01325-301020 : www.cvo.co.uk : sales@cvo.co.uk

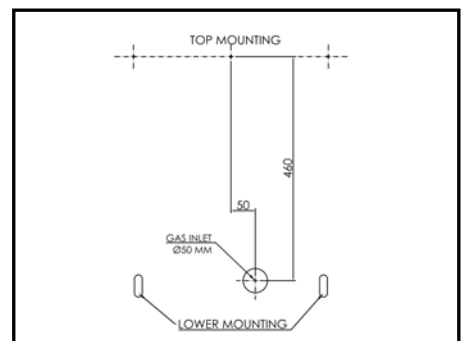


Gas Pipe Location:

The gas pipe is located behind the fascia. The hole position is shown on the image on the right. The fire is mounted on to the wall using a wall bracket. Once this is fitted the fire body is lifted on to the wall bracket and fixed via the lower mounting points to stop the fire being lifted back off the bracket.

The location of the gas pipe hole is approximately 610mm from the top edge of the fascia on the fire. Note it is offset to the right by 50mm.

The gas is fixed via an 8mm isolation test point within the fire. This test point must be used to test the gas pressure when commissioning the fire. See install booklet for commissioning procedure.



=====
CVO reserve the right to amend and improve the specification sheets without prior notice. If in doubt about any aspect of this specification please call. The specification is not to be used to install the fireplace. Every fire is supplied with an official install booklet. Spirit Fires Limited own the Spirit, CVO and FIREVAULT Trademarks. Copying and distribution of these specifications is not permitted without the permission of Spirit Fires Ltd. All dimensions include a +/-2mm tolerance.

Spirit Fires Ltd, 4 Beaumont Square Durham Way South, Newton Aycliffe County Durham, DL5 6XN
Sales: +44 (0)1325-301020 Office: +44 (0) 1325 327 221 Fax: +(0)1325 327 292 Email: sales@cvo.co.uk Web: www.cvo.co.uk

SHOWROOM: CVO Fires can be seen live in our FIREVAULT showrooms based in the North and South of the UK. Visit www.firevault.co.uk or call 01325-301020 for full contact details, location maps and directions.