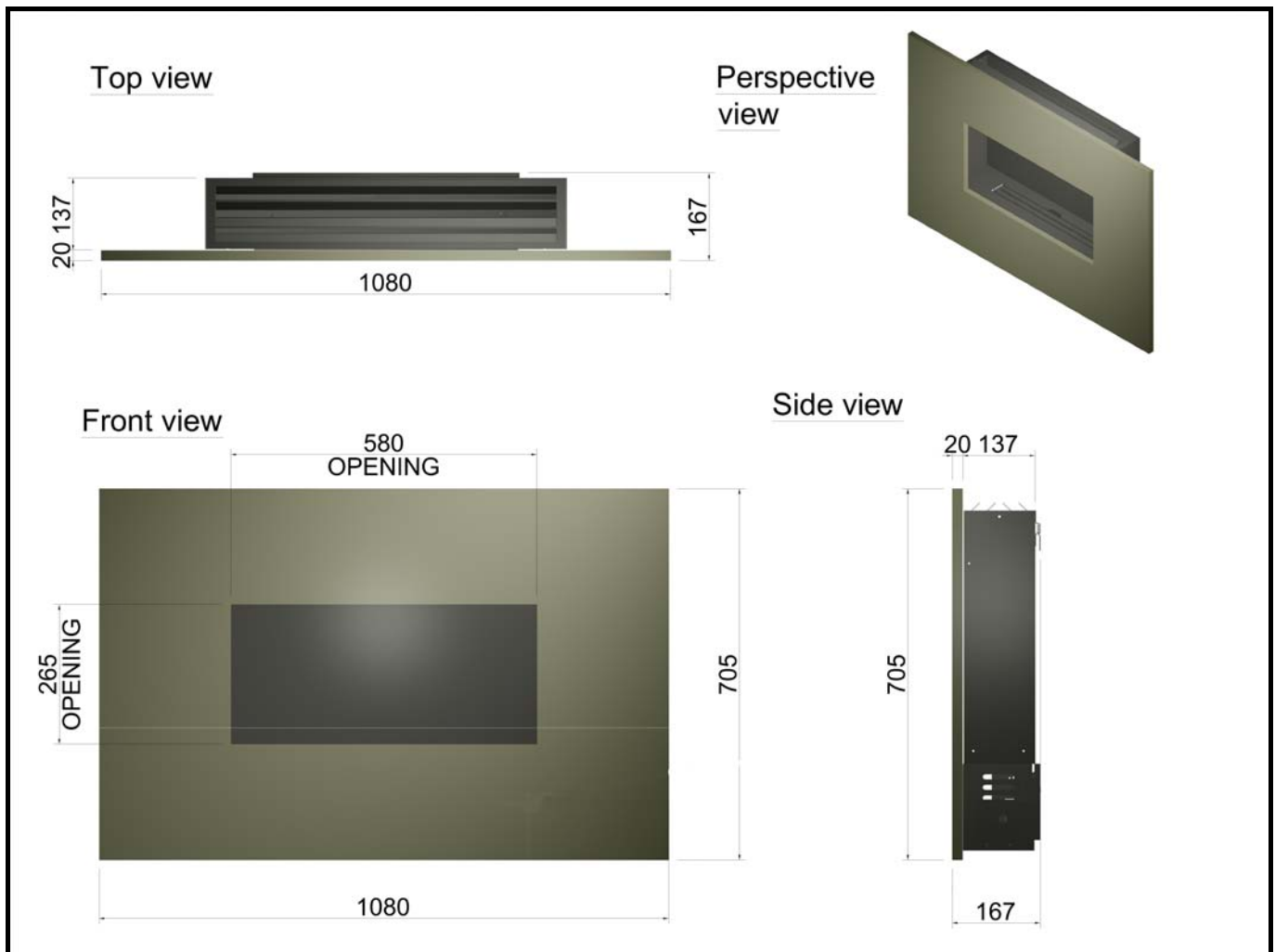


FIRELINE Widescreen – Moderno & Classico [Flueless Gas Fire]

Index # 57, Rev-11 (18-Dec-2014) - Page 1 of 2

CVO Fire : 01325-301020 : www.cvo.co.uk : sales@cvo.co.uk

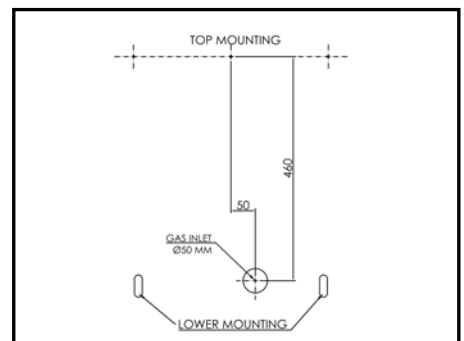


Gas Pipe Location:

The gas pipe is located behind the fascia. The hole position is shown on the image on the right. The fire is mounted on to the wall using a wall bracket. Once this is fitted the fire body is lifted on to the wall bracket and fixed via the lower mounting points to stop the fire being lifted back off the bracket.

The location of the gas pipe hole is approximately 600mm from the top edge of the fascia on the fire. Note it is offset to the right by 50mm.

The gas is fixed via an 8mm isolation test point within the fire. This test point must be used to test the gas pressure when commissioning the fire. See install booklet for commissioning procedure.



=====
CVO reserve the right to amend and improve the specification sheets without prior notice. If in doubt about any aspect of this specification please call. The specification is not to be used to install the fireplace. Every fire is supplied with an official install booklet. Spirit Fires Limited own the Spirit, CVO and Firevault Trademarks. Copying and distribution of these specifications is not permitted without the permission of Spirit Fires Ltd. All dimensions include a +/-2mm tolerance.

Spirit Fires Ltd, 4 Beaumont Square Durham Way South, Newton Aycliffe County Durham, DL5 6XN
Sales: +44 (0)1325-301020 Office: +44 (0) 1325 327 221 Fax: +(0)1325 327 292 Email: sales@cvo.co.uk Web: www.cvo.co.uk

SHOWROOM: CVO Fires can be seen live in our FIREVAULT showrooms based in the North and South of the UK. Visit www.firevault.co.uk or call 01325-301020 for full contact details, location maps and directions.

FIRELINE Widescreen – Moderno & Classico [Flueless Gas Fire]

Index # 57, Rev-11 (18-Dec-2014) - Page 2 of 2

CVO Fire : 01325-301020 : www.cvo.co.uk : sales@cvo.co.uk

FIRE OPTIONS:

- **FIRE LINE CLASSICO** – This has a highly polished interior.
- **FIRE LINE MODERNO** – This has a satin black interior.
- Easy Installation with “Hung on Wall” Design. Flueless Gas Fires are classed as a decorative, secondary heat source. When ordering please specify the power rating and gas type (Natural Gas or LPG/Propane). The fire is operated by a manual control function on the right hand lower side behind the fascia, a mains upgrade is available upon request. There is a smaller version with a 970mm fascia also available.

FASCIA MATERIAL OPTIONS:

- Choose from a wide range of natural stone fascias cut in either 1pc or 4pcs. Mirror fascia also available.
- For volume purchases different fascia materials, colours and sizes will be considered.

CE APPROVAL:

Gas Category	Natural Gas				LPG		
	I _{2H}	I _{2E}	I _{2E+}	I _{2L}	I _{3P(37)}	I _{3B/P(30)}	I ₃₊
Gas Type	G20	G20	G20/G25	G25	G31	G30/G31	G30/G31
Supply Pressure (mbar)	20	20	20/25	25	37	30	28-30/37
Countries of Destination	AT, CH, CZ, DK, ES, FI, GB, GR, IE, IT, NO, PT, SE	DE, LU	BE, FR	NL	ES, GB, GR, IE, IT, PT	CH, CZ, DK, FI, GR, NL, NO, SE	BE, CH, CZ, ES, FR, GB, GR, IE, IT, PT

INLET POWER, ROOM INTERNAL SPACE AND FREE AIR VENT

Gas Type	Fire Heat Input Version		“Minimum” Internal Room Space	Required Free Air Wall Vent	Approx Running Cost
	HIGH	LOW			
Natural Gas – 2.7kW	2.7 kW	2.0 kW	30 m ³	100 cm ²	9p/Hour *
Natural Gas – 3.5kW	3.5 kW	2.7 kW	40 m ³	125 cm ²	12p/Hour *
LPG/Propane – 3.5kW	3.5 kW	2.7 kW	40 m ³	125 cm ²	21p/Hour **

* Based on approximate figures as gas prices are variable.

** Based on a 47Kg Bottle at £39.99/Bottle.

DIMENSIONS:

- **Overall dimensions of Fascia** HEIGHT: 705mm x WIDTH: 1080mm x 20mm Thick. Fire depth from wall 170mm.
- **Dimensions of Fascia Opening:** HEIGHT: 265mm x WIDTH: 580mm

OTHER TECHNICAL INFORMATION:

1. See image for gas pipe location. The gas pipe is located 600mm from the top edge of the fascia on the fire.
2. **Ventilation Requirements :**
 - a. The room in which the fire is to be installed must have an air vent which provides a minimum amount of “free air”. [See table above].
 - b. The room in which the fire is to be installed must have a window.
 - c. The air vent must be positioned at least 1m away from the appliance.
3. **Room Size:**
 - a. The fire must not be used in an internal space of “less” than as “minimum” specified in the table above.
 - b. Adjoining spaces not separated by a door may be included.
 - c. Example Calculation - 2.5m x 4m x 4.5m = 45m³.
 - d. To convert from cubic feet (ft³) to cubic meter (m³), divide the room’s volume in cubic feet by 35.3.
 - e. If the room is smaller than 100m³ it is advised to purchase the 2.7kw Version.

=====
CVO reserve the right to amend and improve the specification sheets without prior notice. If in doubt about any aspect of this specification please call. The specification is not to be used to install the fireplace. Every fire is supplied with an official install booklet. Spirit Fires Limited own the Spirit, CVO and Firevault Trademarks. Copying and distribution of these specifications is not permitted without the permission of Spirit Fires Ltd. All dimensions include a +/-2mm tolerance.

Spirit Fires Ltd, 4 Beaumont Square Durham Way South, Newton Aycliffe County Durham, DL5 6XN
Sales: +44 (0)1325-301020 Office: +44 (0) 1325 327 221 Fax: +(0)1325 327 292 Email: sales@cvo.co.uk Web: www.cvo.co.uk

SHOWROOM: CVO Fires can be seen live in our FIREVAULT showrooms based in the North and South of the UK. Visit www.firevault.co.uk or call 01325-301020 for full contact details, location maps and directions.