

## CAST SLIT with "Hole in the Wall" Enclosure [Class 2 Fireplace]

Index # 11, Rev-18, Page 1 of 3

CVO Fire : 01325-301020 : [www.cvo.co.uk](http://www.cvo.co.uk) : [sales@cvo.co.uk](mailto:sales@cvo.co.uk)

### OPTIONS:

- CAST SLIT BURNER: Black Powder Coated Steel (Stainless Steel burner available upon request)
- ENCLOSURE : Black Steel, Brushed Steel or Stone. Single and Double Sided Options Available.
- METAL FASCIA : Powder Coated Flat Black, Brushed Stainless Steel or Bronze
- STONE FASCIA : 4pc Stone Fascia in small or widescreen size in wide choice of natural stones.

### CE APPROVAL:

Currently CE tested, approved and available for all member states where the following gas categories are used.

Natural Gas      I2H-G20-20mBar  
LPG/Propane      I3P(37)-G31-37mBar

### DIMENSIONS:

See attached technical drawings for small and widescreen versions.

### CAST SLIT POWER RATING:

**High and low flame setting (gas only):**

Heat input high: NG – 7KW LPG – 7KW

Heat input low: NG – 4.6KW LPG – 4KW

Approximate running costs per hour on high (subject to your gas supplier tariff): NG – 9p LPG – 37p

### VENTILATION:

As the fire is 7kw fire no additional room ventilation (air vent from outside) is required.

### OTHER TECHNICAL INFORMATION:

1. The gather is supplied as an optional extra. This has been designed to be inserted into the builder's opening and then lowered onto the enclosure hence allowing for a smaller construction opening.
2. Fire is designed to be used within a single sided enclosure of the shown dimensions with a Class 2 chimney or with a flue liner of 127mm diameter and a minimum flue length of 3 metres.
3. If installing the cast slit into a Class 1 Chimney it is recommended that the CVO Enclosure and Gather are both used to ensure flame activity is stable and to reduce heat loss.
4. ODS (Oxygen Depletion System) fitted to fire to monitor oxygen levels in the room.
5. A double sided or see through enclosure is available upon request.
6. The burner is available to purchase as a stand alone item for installation into existing and bespoke fireplaces designs.
7. There are 3 Fascia styles available:
  - a. Small Stone : See technical drawing – there are many natural stone types to choose from.
  - b. Widescreen Stone: See technical drawing – there are many natural stone types to choose from.
  - c. Flat Metal Fascia: This is a very basic metal flange – 745mm Wide x 445mm High.
8. Bespoke designs – there are unlimited options for using the cast slit burner in bespoke designs – ask for details.

=====  
CVO reserve the right to amend and improve the specification sheets without prior notice. If in doubt about any aspect of this specification please call. The specification is not to be used to install the fireplace. Every fire is supplied with an official install booklet. Spirit Fires Limited own the Spirit, CVO and Firevault Trademarks. Copying and distribution of these specifications is not permitted without the permission of Spirit Fires Ltd. All dimensions include a +/-2mm tolerance.

Spirit Fires Ltd, 4 Beaumont Square Durham Way South, Newton Aycliffe County Durham, DL5 6XN

Sales: +44 (0)1325-301020 Office: +44 (0) 1325 327 221 Fax: +(0)1325 327 292 Email: [sales@cvo.co.uk](mailto:sales@cvo.co.uk) Web: [www.cvo.co.uk](http://www.cvo.co.uk)

SHOWROOM: CVO Fires can be seen live in our FIREVAULT showrooms based in the North and South of the UK.

Visit [www.firevault.co.uk](http://www.firevault.co.uk) or call 01325-301020 for full contact details, location maps and directions.

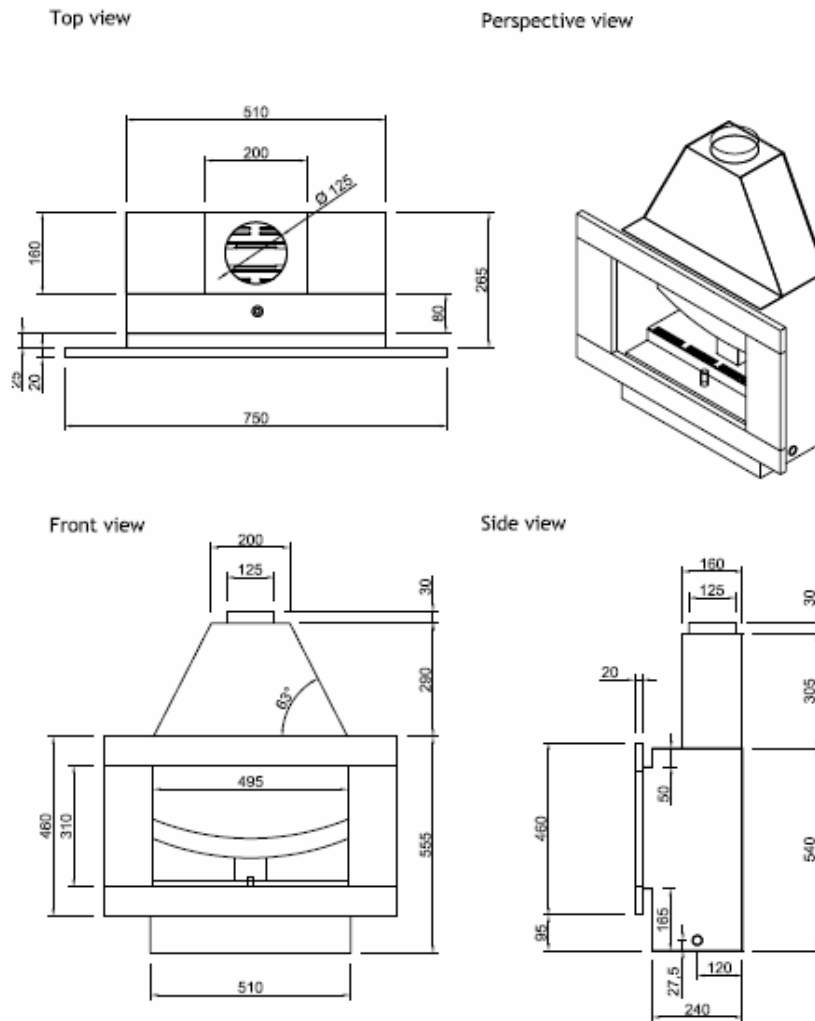
**CAST SLIT with "Hole in the Wall" Enclosure [Class 2 Fireplace]**

Index # 11, Rev-18, Page 2 of 3

CVO Fire : 01325-301020 : [www.cvo.co.uk](http://www.cvo.co.uk) : [sales@cvo.co.uk](mailto:sales@cvo.co.uk)

**ENCLOSURE WITH SMALL STONE FASCIA**

NOTE - The dimensions on this product are for a metal enclosure with a stone fascia,



For the builders opening please allow 50mm gap around the sides and the back of the unit for adjustments and gas supply.

=====  
CVO reserve the right to amend and improve the specification sheets without prior notice. If in doubt about any aspect of this specification please call. The specification is not to be used to install the fireplace. Every fire is supplied with an official install booklet. Spirit Fires Limited own the Spirit, CVO and Firevault Trademarks. Copying and distribution of these specifications is not permitted without the permission of Spirit Fires Ltd. All dimensions include a +/-2mm tolerance.

Spirit Fires Ltd, 4 Beaumont Square Durham Way South, Newton Aycliffe County Durham, DL5 6XN  
Sales: +44 (0)1325-301020 Office: +44 (0) 1325 327 221 Fax: +(0)1325 327 292 Email: [sales@cvo.co.uk](mailto:sales@cvo.co.uk) Web: [www.cvo.co.uk](http://www.cvo.co.uk)

SHOWROOM: CVO Fires can be seen live in our FIREVAULT showrooms based in the North and South of the UK. Visit [www.firevault.co.uk](http://www.firevault.co.uk) or call 01325-301020 for full contact details, location maps and directions.

**CAST SLIT with "Hole in the Wall" Enclosure [Class 2 Fireplace]**

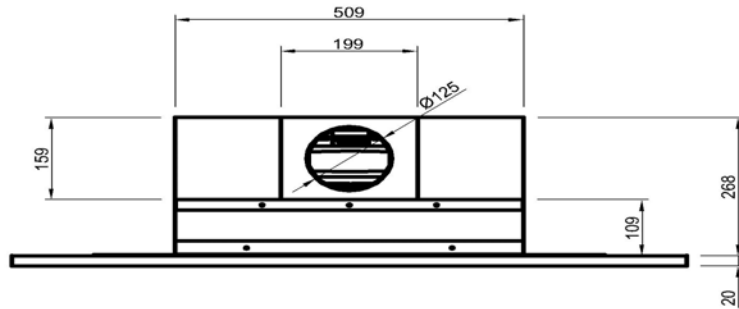
Index # 11, Rev-18, Page 3 of 3

CVO Fire : 01325-301020 : [www.cvo.co.uk](http://www.cvo.co.uk) : [sales@cvo.co.uk](mailto:sales@cvo.co.uk)

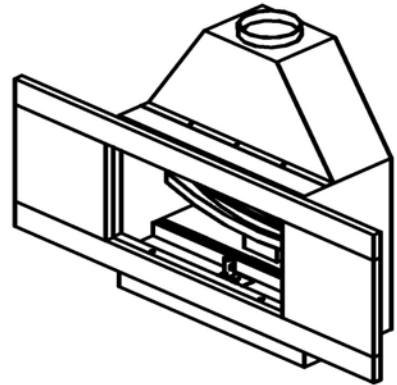
**Enclosure with Widescreen Stone Fascia**

NOTE - The dimensions on this product are for a metal enclosure with a stone fascia.

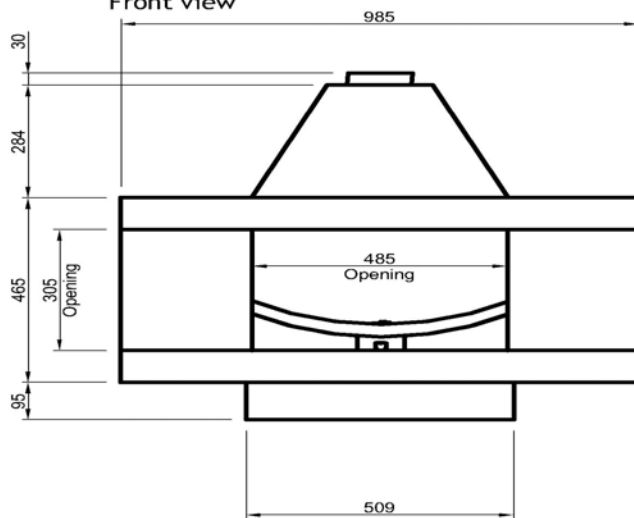
Top view



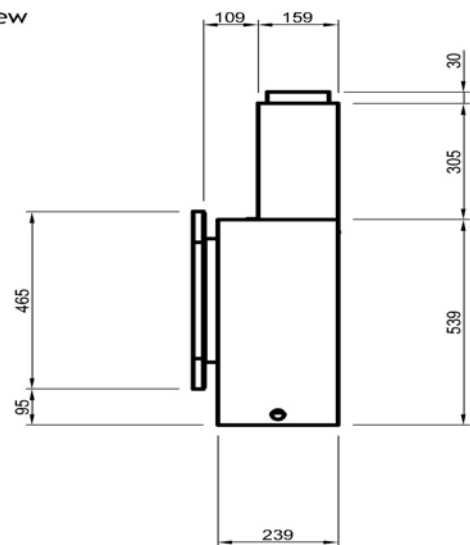
Perspective view



Front view



Side view



For the builders opening please allow 50mm gap around the sides and the back of the unit for adjustments and gas supply.

=====  
CVO reserve the right to amend and improve the specification sheets without prior notice. If in doubt about any aspect of this specification please call. The specification is not to be used to install the fireplace. Every fire is supplied with an official install booklet. Spirit Fires Limited own the Spirit, CVO and Firevault Trademarks. Copying and distribution of these specifications is not permitted without the permission of Spirit Fires Ltd. All dimensions include a +/-2mm tolerance.

Spirit Fires Ltd, 4 Beaumont Square Durham Way South, Newton Aycliffe County Durham, DL5 6XN

Sales: +44 (0)1325-301020 Office: +44 (0) 1325 327 221 Fax: +(0)1325 327 292 Email: [sales@cvo.co.uk](mailto:sales@cvo.co.uk) Web: [www.cvo.co.uk](http://www.cvo.co.uk)

SHOWROOM: CVO Fires can be seen live in our FIREVAULT showrooms based in the North and South of the UK.

Visit [www.firevault.co.uk](http://www.firevault.co.uk) or call 01325-301020 for full contact details, location maps and directions.