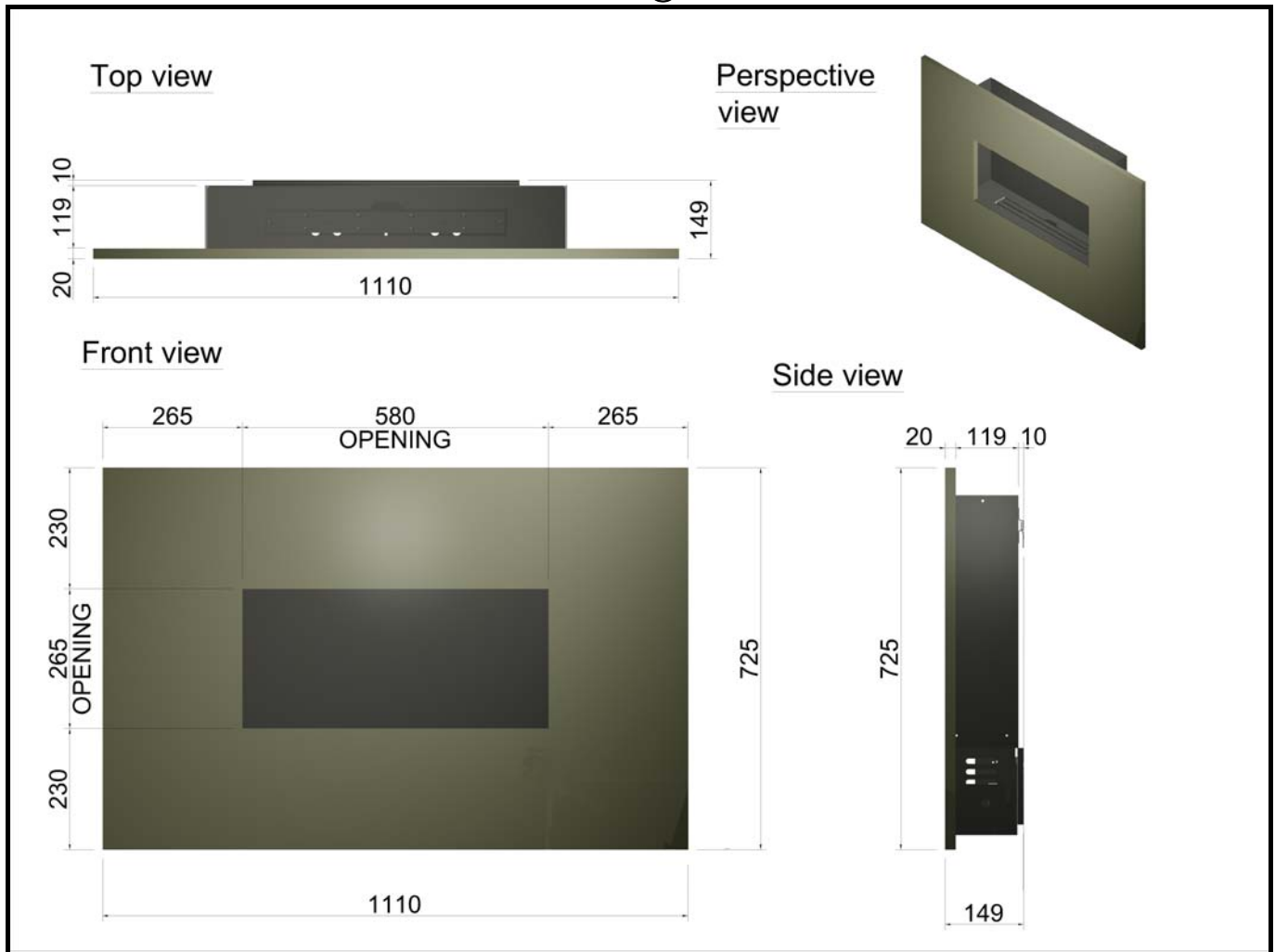


ANGEL – 1110 Widescreen Size Fascia - [Flueless Gas Fire]

Index # 53, Rev-8 / 18-Dec-2014 / Page 1 of 2

CVO Fire : 01325-301020 : www.cvo.co.uk : sales@cvo.co.uk

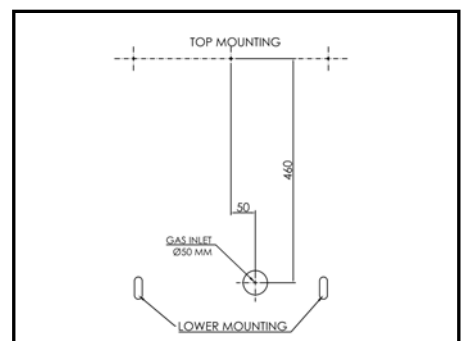


Gas Pipe Location:

The gas pipe is located behind the fascia. The hole position is shown on the image on the right. The fire is mounted on to the wall using a wall bracket. Once this is fitted the fire body is lifted on to the wall bracket and fixed via the lower mounting points to stop the fire being lifted back off the bracket.

The location of the gas pipe hole is approximately 610mm from the top edge of the fascia on the fire. Note it is offset to the right by 50mm.

The gas is fixed via an 8mm isolation test point within the fire. This test point must be used to test the gas pressure when commissioning the fire. See install booklet for commissioning procedure.



CVO reserve the right to amend and improve the specification sheets without prior notice. If in doubt about any aspect of this specification please call. The specification is not to be used to install the fireplace. Every fire is supplied with an official install booklet. Spirit Fires Limited own the Spirit, CVO and Firevault Trademarks. Copying and distribution of these specifications is not permitted without the permission of Spirit Fires Ltd. All dimensions include a +/-2mm tolerance.

Spirit Fires Ltd, 4 Beaumont Square Durham Way South, Newton Aycliffe County Durham, DL5 6XN
Sales: +44 (0)1325-301020 Office: +44 (0) 1325 327 221 Fax: +(0)1325 327 292 Email: sales@cvo.co.uk Web: www.cvo.co.uk

SHOWROOM: CVO Fires can be seen live in our FIREVAULT showrooms based in the North and South of the UK. Visit www.firevault.co.uk or call 01325-301020 for full contact details, location maps and directions.

ANGEL – 1110 Widescreen Size Fascia - [Flueless Gas Fire]

Index # 53, Rev-8 / 18-Dec-2014 / Page 2 of 2

CVO Fire : 01325-301020 : www.cvo.co.uk : sales@cvo.co.uk

DESCRIPTION:

- This fire is supplied as a wall mounted flueless gas fire [no chimney required] with Metal Fascia. The fascia can be supplied in either Satin Black Steel or Brushed Stainless Steel. Other colours/finishes upon request.
- The fire can be installed on any wall within a room as long as a suitable gas supply is available.
- If fitting this fire in a room with a chimney, the chimney must be blocked off and sealed before the fire is installed.
- The fire must only be installed within a room of suitable size. The "Minimum" room size is shown below. This is m³ which can be calculated by this formula – h x w x d. Adjoining spaces not separated by a door can be included. Please make an allowance for furniture which can take up around 25% of the space. This means a 50m³ room will have around 38m³ of space.
 - 2.7Kw Version = 30m³, 3.5Kw Version = 40m³
 - If the room size is smaller than 100m³ it is advised to purchase the 2.7Kw version.
- The Fire must be installed in a room with outside air ventilation which provides a minimum volume of free air as specified below. This vent must be over 1 meter away from the appliance. Warning: It is not the size of the grille – it is the air volume.
 - 2.7Kw Version = 100cm² "Free Air"
 - 3.5Kw Version = 125cm² "Free Air"
- The Room in which the appliance is to be installed must also have a window which can be opened if required.
- If the fire is installed lower than 300mm from the floor a hearth will be required.
- Flueless Gas Fires are classed as a decorative, secondary heat source. There must be a clearance of 1m from the top of the appliance to the ceiling. It is not permitted to fit a shelf above this appliance unless the optional extra deflector gather is fitted to the fire. This is not available as a spare part and must be fitted at the factory and ordered with the fire. A built in or "recessed version" is available upon request. If you have any technical questions about this appliance please call 01325-301020.



OPTIONS:

- Manual Control – Natural Gas – 2.7kW or 3.5kW
- Manual Control – LPG – 3.5Kw

CE APPROVAL:

- **Natural Gas**
 - I2E – G20 – 20mBar - DE, LU
 - I2E+ – G20/G25 – 20/25mBar - BE, FR
 - I2L – G25 – 25mBar – NL
 - I2H – G20 – 20mbar - AT, CH, CZ, DK, ES, FI, GB, GR, IE, IT, NO, PT, SE
- **Propane**
 - I3P(37) – G31 – 37mBar - ES, GB, GR, IE, IT, PT
 - I3B/P(30) – G31/G30 – 30mBar - CH, CZ, DK, FI, GR, NL, NO, SE
 - I3+ - G30 – 28-30mBar - BE, CH, CZ, ES, FR, GB, GR, IE, IT, PT
 - I3+ - G31 – 37mBar - BE, CH, CZ, ES, FR, GB, GR, IE, IT, PT

ORDERING:

- To order please call 01325-301020.
- To process your order we require: Gas Type, Fascia Style and any optional extras.
- Delivery on this appliance is typically 1-2 weeks.

=====

CVO reserve the right to amend and improve the specification sheets without prior notice. If in doubt about any aspect of this specification please call. The specification is not to be used to install the fireplace. Every fire is supplied with an official install booklet. Spirit Fires Limited own the Spirit, CVO and Firevault Trademarks. Copying and distribution of these specifications is not permitted without the permission of Spirit Fires Ltd. All dimensions include a +/-2mm tolerance.

Spirit Fires Ltd, 4 Beaumont Square Durham Way South, Newton Aycliffe County Durham, DL5 6XN
Sales: +44 (0)1325-301020 Office: +44 (0) 1325 327 221 Fax: +(0)1325 327 292 Email: sales@cvo.co.uk Web: www.cvo.co.uk

SHOWROOM: CVO Fires can be seen live in our FIREVAULT showrooms based in the North and South of the UK. Visit www.firevault.co.uk or call 01325-301020 for full contact details, location maps and directions.