

SPEC BOOK

A TECHNICAL SPECIFICATION GUIDE FOR BATHROOMS



crosswater^x
CONTRACTS

A division of Bathroom Brands

CONTENTS



INTRODUCTION 1



MIKE PRO 2



BELGRAVIA 3



SHOWERING 7



ACCESSORIES 8



FURNITURE 9



TRADITIONAL SANITARYWARE 13



SHOWER ENCLOSURES 14



BATH SCREENS 15

A FULL PRODUCT INDEX CAN BE FOUND IN SECTION 19



WALDORF 4



KELLY HOPPEN 5



TAPS 6



MIRRORS & CABINETS 10



HEATED TOWEL RAILS 11



MODERN SANITARYWARE 12



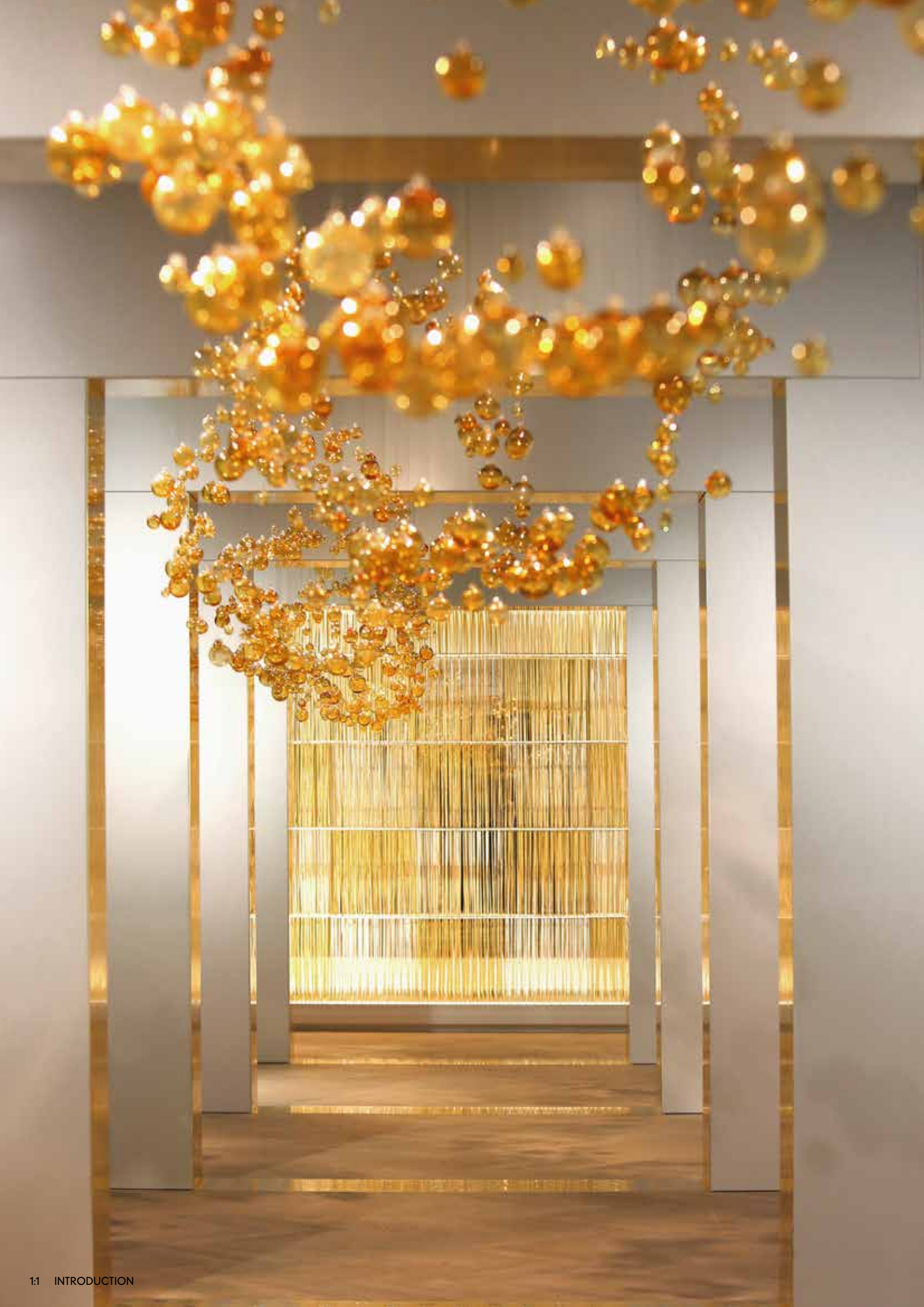
SHOWER TRAYS 16



BATHS 17



KITCHEN TAPS 18



AN INTERNATIONAL BATHROOM COMPANY

Founded from the boot of a car in London nearly 20 years ago, Crosswater Bathrooms was created from humble beginnings. Now leaders in bathroom design we have continued to grow from strength to strength, with a dedicated head office and beautiful show room, over 250 members of staff and centralised distribution hub that delivers across 28 countries.

We are proud to offer the complete bathroom solution, blending style, quality and function with beautiful European design. All our products are designed right here in the UK by specialist designers who strive for perfection, sourcing the highest quality and employing the finest manufacturing techniques.

David Hance

David Hance



A PASSION FOR BATHROOMS THAT SETS US APART

Leader in bathroom design, Crosswater Contracts offers you the complete bathroom solution. Blending style, quality and function with beautiful European design, Crosswater Contracts is dedicated to bringing you innovative and cutting-edge products that meet the demands of today's modern bathrooms.

Crosswater Contracts delivers a vast product range created to suit all bathroom environments, from the sleek and modern to the classic and traditional.





We strive to source the best designers and finest materials to deliver the ultimate in bathroom design innovation and quality. Our talented design team, led by the company's founder David Hance who designed a number of stylish collections himself, continue to create beautiful products with cutting-edge technology. At the height of innovation, the extensive collections offer excellent value for money without compromising on style and quality.

Choose distinctive style and explore Crosswater Contracts next generation of bathroom design, from the simply elegant to the truly extraordinary.

COMPLIANCE

At Crosswater we pride ourselves on our track record of exceeding the industry's most exacting standards. We have our own Research and Development team, our own product designers and a dedicated quality and compliance team who ensure that every product we make complies with strict quality controls.

As part of our commitment to product quality, we submit many of our products to third party testing houses for independent verification such as WRAS, KIWA, BuiltCert or NSF-WRc. We hold more WRAS (Water Regulation Advisory Scheme) listings than any other British faucet manufacturer.

In order to obtain a WRAS listing we have to show that our products not only exceed British standards but that the quality of the product we supply to our customers is maintained. To achieve this we use the best components from top European suppliers such as Fluhs, Neoperl, Vernet and Kerox.

The WRAS and KIWA certificate numbers are noted against the products where applicable. Do please check if it's not shown as products are constantly being submitted.



CROSSWATER CONTRACTS WEBSITE

Made to work seamlessly on all devices, you can now keep up to date with all of our current projects and read about our news on the Blog. Don't forget to also take a look at the interactive version of this Spec book, which showcases all of our latest products.

www.crosswater-contracts.co.uk



SAVE WATER & ENERGY

We are all under pressure to save water in order to help the environment and reduce climate change. Part G of the governments' building regulations now requires all new domestic buildings to meet a maximum water consumption of 125 litres per person each day. Our Mike Pro range has been made with water saving feature built into the tap. However, all Crosswater taps and showers can be specified to include flow regulating technology. This will allow you to control the amount of water you use.



THERMOSTATIC SHOWERS

At the heart of every Crosswater thermostatic shower valve is the Vernet CA43 thermostatic cartridge. Vernet's multi temperature regulation unit provides smooth and precise control over the water temperature. The key feature is the copper-wax element – a truly ingenious function that converts temperature change into a highly accurate mechanical movement that will ensure over 100,000 cycles in everyday use.



ENDURANCE TESTING

Crosswater taps and shower valves with WRAS or KIWA certification have been subjected to tests requiring them to pass a total of 200,000 cycles, whilst being supplied with hot and cold water alternatively for periods of 15 minutes each. For a family of four using the basin tap 6 times a day each, this is equivalent to over 20 years of use.



kiwa

GUARANTEES

With a high commitment to quality, Crosswater extends the domestic warranties to all commercial projects and fittings are guaranteed for 15 years against manufacturing defaults. For further details of warranties on other items please check with Crosswater.





Contracts Team

Our contracts office offer dedicated estimating, technical and sales support for everyone involved in the contracts supply chain - whether architects, interior designers, house builders, contractors or bathroom suppliers. For all contract related enquiries, please ring the contracts hotline on **01322 422743**. Our team can assist you with detailed specifications covering your bathroom needs and can arrange guide pricing if required.



INSPIRATIONAL SHOWROOM

Imagine a showroom the length of a rugby pitch filled with inspirational bathroom products. Well dream no longer! As part of Crosswater's move to new premises, we commissioned COPPIN DOCKRAY ARCHITECTS to design the finest bathroom

showroom in the UK if not Europe. The showroom is available to trade customers to view our products. Please contact the contracts team on **01322 422743** to make an appointment. You won't be disappointed!



Head Office

Our 14 metres high warehouse covers over 130,000 square feet and holds over 5,000 stock lines. A constantly renewed fleet of 30 vehicles delivers across the whole of the British Isles and most locations are covered every day. A combined internal sales office and technical team of 35 people take 1700 calls and process over 900 sales orders per day.

LEADING EXPERTS IN HOTEL BATHROOM DESIGN, WE DELIVER DURABLE QUALITY AND STUNNING SCHEMES COMBINED WITH A FIRST CLASS SERVICE PROJECTS

With a sensationally vast product portfolio, from the modern to the more traditional, the skilled Crosswater Contracts team can assist with virtually all your hotel bathroom needs. Our dedicated team will work closely with you to select the best products,

perfectly suited to each and every individual project. With a growing portfolio of hotel projects from boutique hotels to listed buildings, we specialise in assisting with detailed specifications and meeting specific design briefs.





Recent Hotel Projects

Atlantic Hotel
Avada Langham Hotel
Brocket Hall
City London Hotel
Clandeboyne Lodge Hotel
Crieff Hydro
Coral Reef Club, Barbados
Dorsett Hotel, London
Gansevoort Hotel, Shoreditch
Grange Hotel, St. Pauls
Heathrow Gate Hotel
Hilton (Various)
Hilton Doubletree
Hilton Metropole
Hilton Waldorf
Holiday Inn (Various)
Holiday Inn Express (Various)
Kensington Close Hotel
Lodge at Kingswood
London Guards Hotel
M by Montcalm, Shoreditch
Malmaison (Various)
Meldrum House Hotel
Mondrian at Sea Container's House
Radisson Blu Hotel, Manchester Airport
Renaissance Hotel
Royal Court Apartments
Sandpiper Inn, Barbados
Sloane Square Hotel
Snooze Box
Sofitel, Gatwick
Sopwell House
Stanbrook Abbey
Taymouth Castle Hotel
The Ampersand, London
The Lastlett
Thistle Cumberland
Z Hotels



EXCELLING WITH THE HIGHEST QUALITY PRODUCTS, WE WILL MEET YOUR EXACTING STANDARDS AND SPECIFIC REQUIREMENTS TO PRODUCE EXCEPTIONAL RESIDENTIAL BATHROOM SCHEMES

Whether you're an architect, interior designer, house builder, property developer or contractor, the Crosswater specialist Contracts team can assist in achieving the highest specification, beautifully finished residential bathroom projects. From technical advice to product selection,

we will guide you through the project from start to finish. Choose from our extensive range of brassware, furniture, sanitary ware and shower solutions to create the exceptional interior schemes your clients are looking for.



Recent Housing Projects

Al Gurm Villas, Abu Dhabi
Alcuin Homes
Alfred Homes
Amethyst Homes
Avant Homes
Ballymore
Berkeley Homes
Binks Vertical
Campbell Buchanan
Cavendish & Gloucester
City & Country
Countryside Homes
Denton Homes
Duchy Homes
George Watson Homes
Heritage Homes
Inland Homes
Kingston Homes
Mantle Developments
Millgate Homes
Millwood Designer Homes
Mount Anvil
Nicholas King Homes
Oakbridge Homes
Octagon Homes
Pegasus Homes
Redrow Homes
Rouse Homes
Shanly Homes
Shepherd Homes
Sisk
Story Homes
Telford Homes
Thomas Homes
United House
Wilmott Dixon
Wyatt Homes





RESIDENTIAL LIVING MEETS 5 STAR HOTEL STANDARDS.

High rise city centre apartments often look to recreate the look and feel of 5 star hotels. Crosswater Contracts product portfolio and expertise in the house developer and hotel sectors

mean that we have the perfect solutions for city centre living too. We work extensively with the major property developers to create that perfect look.

Recent City Apartment Projects

- Argent Group
- Ballymore
- Canary Wharf
- Galliard
- Knight Dragon
- Land Securities
- Stanhope



MIKE PRO^x



AN OUTSTANDING RANGE OF BRASSWARE

DESIGNED WITH YOU IN MIND

8 EXCLUSIVE FINISHES TO CHOOSE FROM

Chrome plating remains the most common finish for brassware. This is not only due to its clean, modern look, but also due to its durability. However, Crosswater can also apply a PVD coating to our most popular fittings in the Mike Pro range. PVD or physical vapour deposition technology has been used extensively for decorative purposes in numerous applications from the automotive industry to luxury watches, where it is important to ensure a perfect look for an extended period of time and intense use. These colour coatings are available in both polished and brushed finishes.

Mike Pro taps and showers are available from stock in polished chrome plate. A selection of Mike Pro products are also available to special order in seven additional colourways as shown below. A colour wheel icon as below indicates which items are available in made to order colours.



Minimum orders apply, denoted by the number in the colour wheel. Please contact Crosswater Contracts on 01322 422743 to discuss.

POLISHED FINISHES



Polished Chrome



Polished Brass



Polished Nickel



Black Chrome

BRUSHED FINISHES



Brushed Chrome



Brushed Brass (shown opposite)

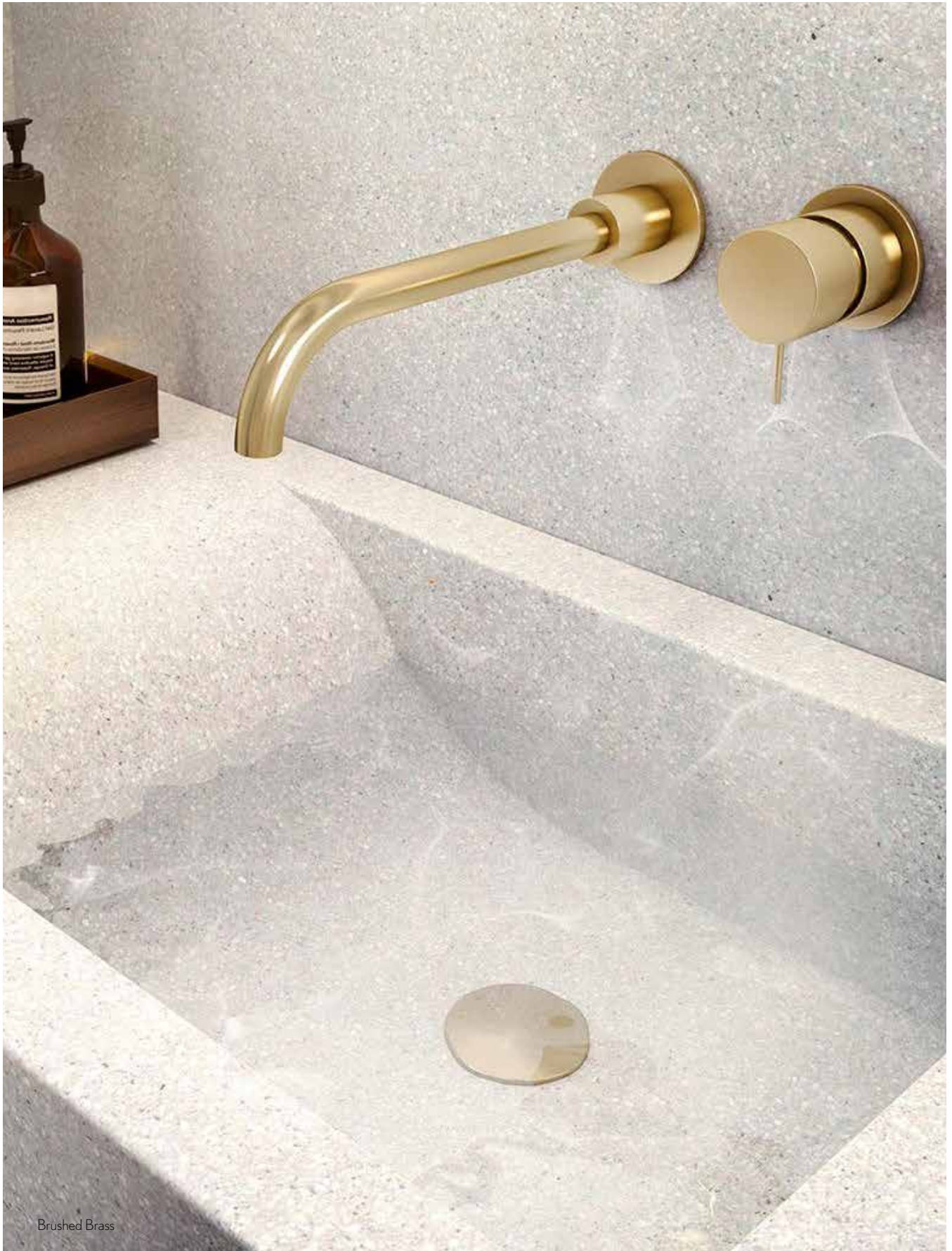


Brushed Stainless Steel Effect



Anthracite

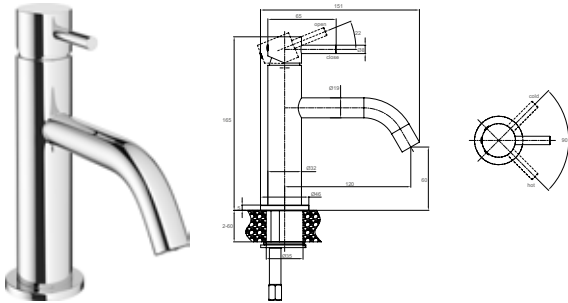
MIKE
PRO^x



Brushed Brass

MIKE PRO BASIN MONOBLOCS

PRO110DNC | BASIN MONOBLOC



With no pop up waste

Deck mounted

MP - suitable for plumbing systems from 0.5 bar

Ceramic disc cartridge CGPRO114M

Chrome plated

Inlet supply - flexi tails with 1/2" female connectors

Guarantee - 15 years (excluding ceramic disc cartridge, 5 year guarantee)

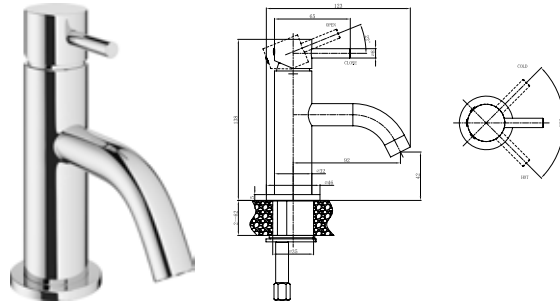
WRAS approval number - 1311315

Flow rates	0.5 bar	1.0 bar	2.0 bar	3.0 bar
	3 lpm	5 lpm	5 lpm	5 lpm

Pre fitted with flow regulators

Stainless Steel available from stock PRO110DNV

PRO114DNC | BASIN MINI MONOBLOC



With no pop up waste

Deck mounted

MP - suitable for plumbing systems from 0.5 bar

Ceramic disc cartridge CGPRO114M

Chrome plated

Inlet supply - flexi tails with 1/2" female connectors

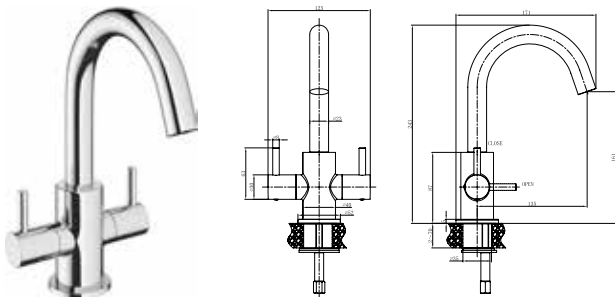
Guarantee - 15 years (excluding ceramic disc cartridge, 5 year guarantee)

WRAS approval number - 1311315

Flow rates	0.5 bar	1.0 bar	2.0 bar	3.0 bar
	3 lpm	4 lpm	4 lpm	4 lpm

Pre fitted with flow regulators

PRO116DNC | BASIN MONOBLOC



With no pop up waste

Deck mounted

360° swivel spout

MP - suitable for plumbing systems from 0.5 bar

Ceramic disc cartridge 1/2" quarter turn CGPRO116C | CGPRO116H

Chrome plated

Inlet supply - flexi tails with 1/2" female connectors

Guarantee - 15 years (excluding ceramic disc cartridge, 5 year guarantee)

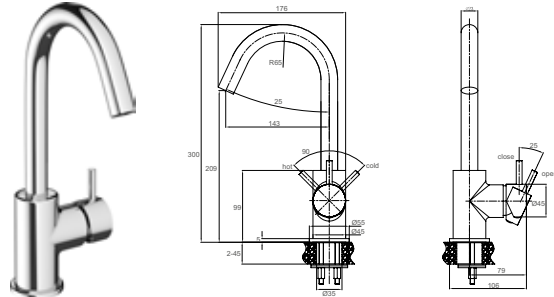
KIWA approval number - 1406709

Flow rates	0.5 bar	1.0 bar	2.0 bar	3.0 bar
	3 lpm	4 lpm	5 lpm	5 lpm

Pre fitted with flow regulators

Mini version available PRO118DNC

PRO111DNC | BASIN MONOBLOC



With no pop up waste

Deck mounted

360° swivel spout

MP - suitable for plumbing systems from 0.5 bar

Ceramic disc cartridge CGPRO110M

Chrome plated

Inlet supply - flexi tails with 1/2" female connectors

Guarantee - 15 years (excluding ceramic disc cartridge, 5 year guarantee)

WRAS approval number - 1401310

Flow rates	0.5 bar	1.0 bar	2.0 bar	3.0 bar
	3 lpm	5 lpm	5 lpm	5 lpm

Pre fitted with flow regulators

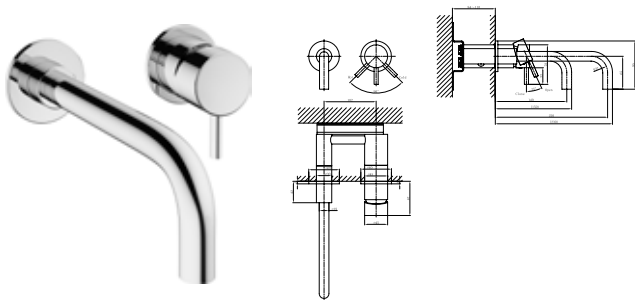
Chrome & Stainless Steel only made to Special Order - please enquire

MIKE
PRO^x



MIKE PRO BASIN SETS

PRO120WNC | BASIN TWO HOLE SET



With no pop up waste

Wall mounted

Supplied with 140 and 220mm spout

MP - suitable for plumbing systems from 0.5 bar

Ceramic disc cartridge CGPRO110M

Chrome plated

Inlet supply - flexital with 1/2" female connectors

Guarantee - 15 years (excluding ceramic disc cartridge, 5 year guarantee)

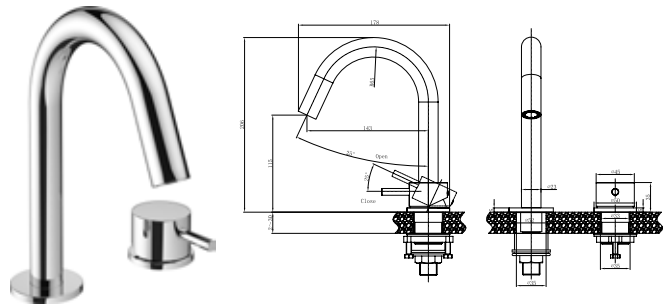
WRAS approval number - 1302341

Flow rates	0.5 bar	1.0 bar	2.0 bar	3.0 bar
	3 lpm	4 lpm	5 lpm	5 lpm

Pre fitted with flow regulators

Stainless Steel available from stock PRO120WNV

PRO125DNC | BASIN TWO HOLE SET



With no pop up waste

Deck mounted

360° swivel spout

MP - suitable for plumbing systems from 0.5 bar

Ceramic disc cartridge CGPRO125M

Chrome plated

Inlet supply - flexital with 1/2" female connectors

Guarantee - 15 years (excluding ceramic disc cartridge, 5 year guarantee)

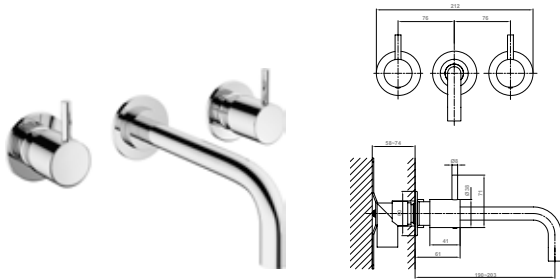
WRAS approval number - 1401308

Flow rates	0.5 bar	1.0 bar	2.0 bar	3.0 bar
	3 lpm	4 lpm	5 lpm	5 lpm

Pre fitted with flow regulators

All finishes (inc Chrome) made to Special Order - please enquire

PRO130WNC | BASIN THREE HOLE SET



With no pop up waste

Wall mounted

MP - suitable for plumbing systems from 0.5 bar

Ceramic disc cartridge 1/2" quarter turn CGPRO130C | CGPRO130H

Chrome plated

Inlet supply - flexi tails with 1/2" female connectors

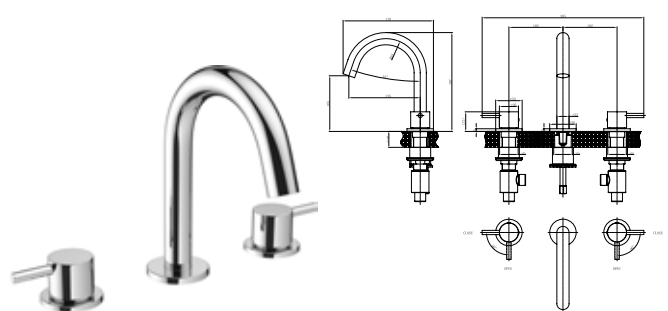
Guarantee - 15 years (excluding ceramic disc cartridge, 5 year guarantee)

WRAS approval number - 1405321

Flow rates	0.5 bar	1.0 bar	2.0 bar	3.0 bar
	3 lpm	4 lpm	5 lpm	5 lpm

Pre fitted with flow regulators

PRO135DNC | BASIN THREE HOLE SET



With no pop up waste

Deck mounted

360° swivel spout

MP - suitable for plumbing systems from 0.5 bar

Ceramic disc cartridge 1/2" quarter turn CGPRO116C | CGPRO116H

Chrome plated

Inlet supply - threaded 1/2" male connectors

Guarantee - 15 years (excluding ceramic disc cartridge, 5 year guarantee)

WRAS approval number - 1311314

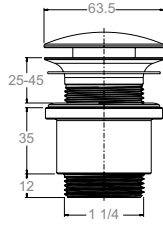
Flow rates	0.5 bar	1.0 bar	2.0 bar	3.0 bar
	3 lpm	4 lpm	5 lpm	5 lpm

Pre fitted with flow regulators



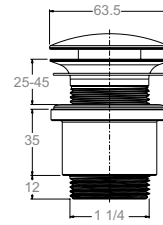
Aligning iconic definition with versatility for today's environments, this striking range is anchored with architectural appeal for the discerning home owner and architect.

PRO0103C | BASIN WASTE 



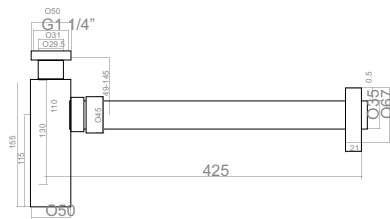
- Basin mounted
- Slotted basin click clack waste
- Chrome plated
- Inlet supply - threaded 1 1/4" male connectors
- Guarantee - 15 years
- WRAS approval number - 1507302
- Stainless Steel available from stock PRO0103V**

PRO0101C | BASIN WASTE 



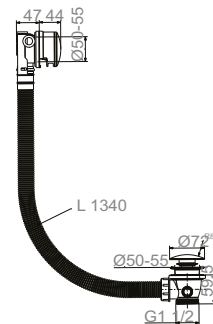
- Basin mounted
- Un-slotted basin click clack waste
- Chrome plated
- Inlet supply - threaded 1 1/4" male connectors
- Guarantee - 15 years
- KIWA approval number - 1510708
- Stainless Steel available from stock PRO0101V**

PRO0402C | BOTTLE TRAP 



- Basin mounted
- Chrome plated
- Inlet supply - threaded 1 1/4" male connectors
- Guarantee - 15 years
- WRAS approval number - not applicable
- 75mm water seal
- Stainless Steel available from stock PRO0402V**

PRO0351C | BATH FILLER 



- With click clack waste
- Extended 1340mm
- Bath mounted
- MP - suitable for plumbing systems from 0.5 bar
- Chrome plated
- Inlet supply - flexi tails with 1 1/2" male connectors
- Guarantee - 15 years
- WRAS approval number - 1407317
- Flow rates (dependent on supplying valve)

0.5 bar	1.0 bar	2.0 bar	3.0 bar
15 lpm	20 lpm	28 lpm	35 lpm

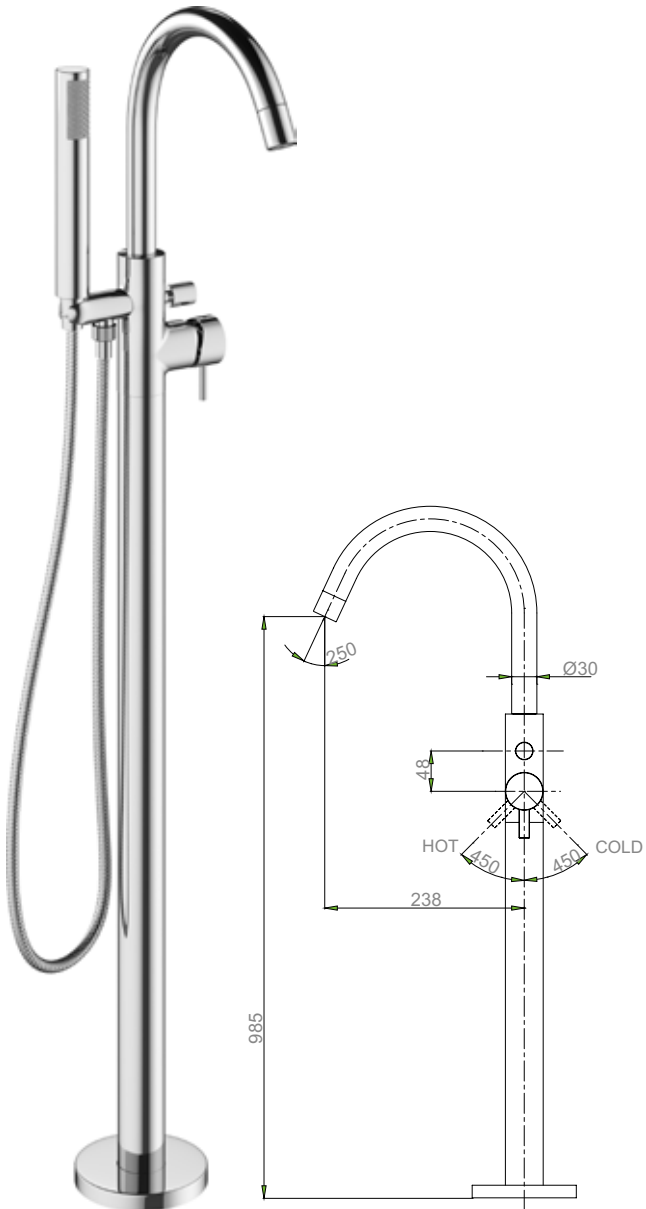
- Stainless Steel available from stock PRO0351V**

MIKE
PRO^x



MIKE PRO BATH SHOWER MIXERS

PRO416FC | BATH SHOWER MIXER 



With shower kit

Floor mounted

HP3 - suitable for high pressure plumbing systems

Ceramic disc cartridge K-40

Chrome plated

Inlet supply - flexitails with 3/4" female connectors

Guarantee - 15 years (excluding ceramic disc cartridge, 5 year guarantee)

WRAS approval number - 1312351

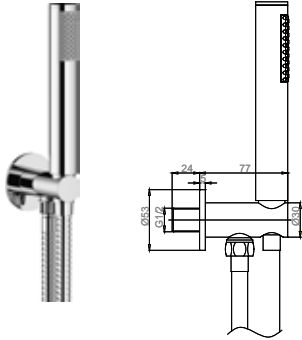
Flow rate 3.0 bar
16 lpm

Stainless Steel available from stock PRO416V

MIKE
PRO^x



PRO963C | SHOWER KIT 100



Wall mounted

MP - suitable for plumbing systems from 0.5 bar

Single function spray

1.5m hose

Chrome plated

Inlet supply - threaded 1/2" male connectors

Guarantee - 15 years

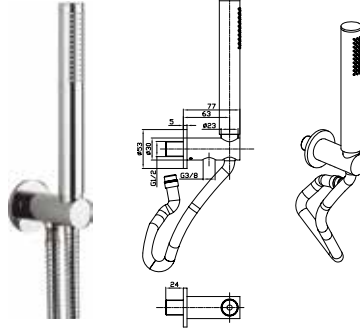
WRAS approval number - 1407305

Flow rates	0.5 bar	1.0 bar	2.0 bar	3.0 bar
	7 lpm	10 lpm	14 lpm	17 lpm

Optional 8 lpm shower flow regulator 58.86381

Stainless Steel available from stock PRO963V

PRO990C | SHOWER KIT WITH CAPTIVE HOSE



Designed to assist with Category 5 compliance

Wall mounted

MP - suitable for plumbing systems from 0.5 bar

Single function spray

1.5m hose

Chrome plated

Inlet supply - threaded 1/2" male connectors

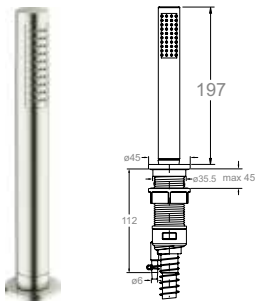
Guarantee - 15 years

WRAS approval number - 1511029

Flow rates	0.5 bar	1.0 bar	2.0 bar	3.0 bar
	7 lpm	10 lpm	14 lpm	17 lpm

Optional 8 lpm shower flow regulator 58.86381

PRO812C | SHOWER KIT 50



Deck mounted

MP - suitable for plumbing systems from 0.5 bar

Single function spray

1.5m hose

Chrome plated

Inlet supply - flexitails with 1/2" female connectors

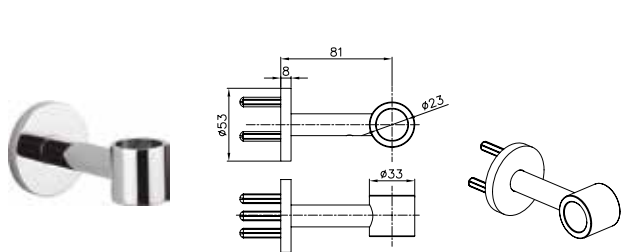
Guarantee - 15 years

WRAS approval number - 1405320

Flow rates	0.5 bar	1.0 bar	2.0 bar	3.0 bar
	7 lpm	10 lpm	14 lpm	17 lpm

Optional 8 lpm shower flow regulator 58.86381

PRO808C | HOSE RETAINING BRACKET

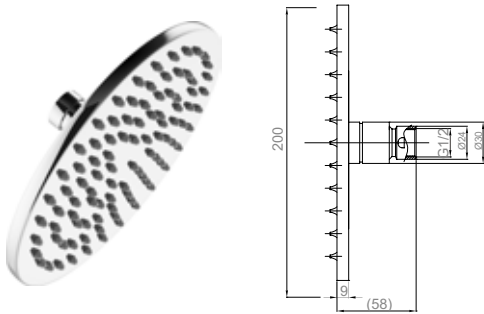


Designed to assist with Category 5 compliance

Guarantee - 15 years

Chrome plated

PRO200C | SHOWER HEAD



Wall mounted

MP - suitable for plumbing systems from 0.5 bar

Single function spray

Chrome plated

Inlet supply - threaded 1/2" female connectors

Guarantee - 15 years

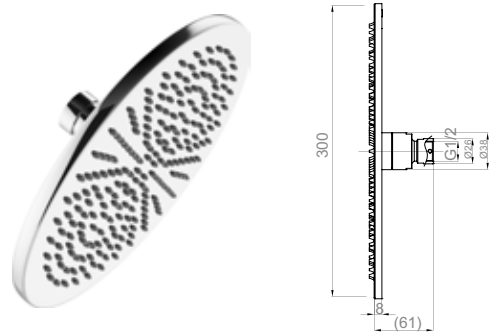
WRAS approval number - 1406315

Flow rates	0.5 bar	1.0 bar	2.0 bar	3.0 bar
	8 lpm	13 lpm	18 lpm	22 lpm

Also available square - PRO220C

Optional 8 lpm shower flow regulator 58.86381

PRO300C | SHOWER HEAD



Wall mounted

MP - suitable for plumbing systems from 0.5 bar

Single function spray

Chrome plated

Inlet supply - threaded 1/2" female connectors

Guarantee - 15 years

WRAS approval number - 1406315

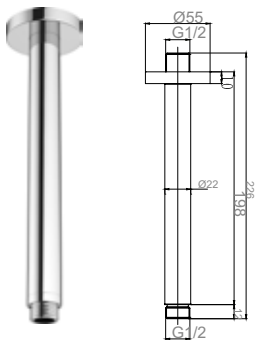
Flow rates	0.5 bar	1.0 bar	2.0 bar	3.0 bar
	9 lpm	10 lpm	14 lpm	18 lpm

Also available square - PRO330C

Optional 8 lpm shower flow regulator 58.86381

Stainless Steel available from stock PRO300V

PRO689C | SHOWER ARM



Ceiling mounted

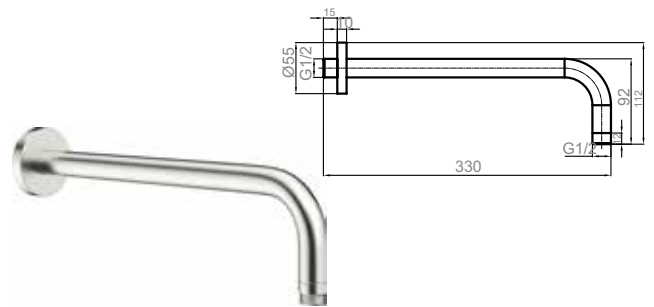
Chrome plated

Inlet supply - threaded 1/2" male connectors

Guarantee - 15 years

WRAS approval number - not required

PRO684C | SHOWER ARM



Wall mounted

Chrome plated

Inlet supply - threaded 1/2" male connectors

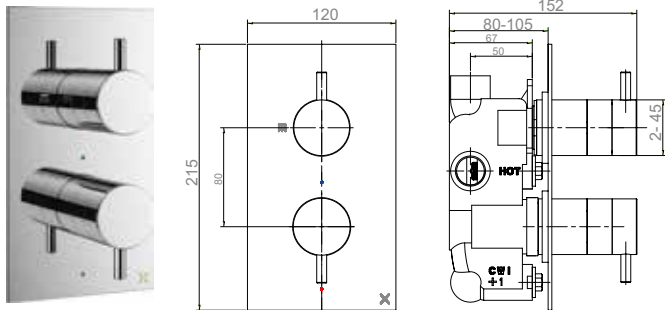
Guarantee - 15 years

WRAS approval number - not required

Stainless Steel available from stock PRO684V

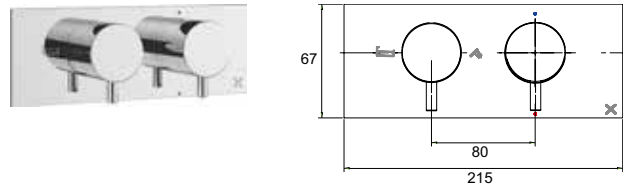
MIKE PRO SHOWER VALVES

PRO1000RC | THERMO SHOWER VALVE



Single Outlet				
Wall mounted				
LP - suitable for all plumbing systems				
Thermostatic cartridge CGPRO1000T				
Ceramic disc cartridge CGPRO1000H				
Chrome plated				
Fixed head etched				
Inlet supply - threaded 3/4" female connectors				
Guarantee - 15 years (excluding ceramic disc cartridge, 5 year guarantee)				
WRAS approval number - 1112080				
Flow rates	0.5 bar	1.0 bar	2.0 bar	3.0 bar
	13 lpm	15 lpm	21 lpm	25 lpm

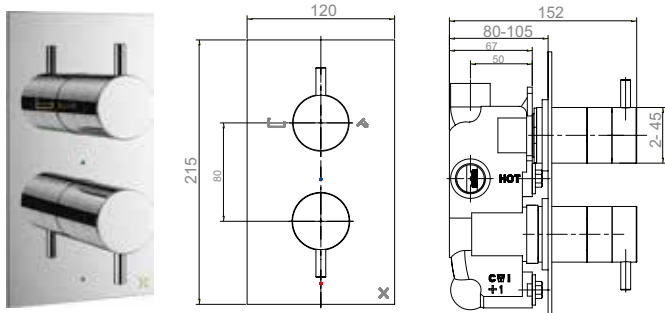
PRO1501RC | THERMO SHOWER VALVE



Double outlet				
Wall mounted				
HP1 - suitable for high pressure plumbing systems				
Thermostatic cartridge CGPRO1000T				
Ceramic disc cartridge CGPRO1500D				
Chrome plated				
Bath & hand shower etched				
Inlet supply - threaded 3/4" female connectors				
Guarantee - 15 years (excluding ceramic disc cartridge, 5 year guarantee)				
WRAS approval number - 1112080				
Flow rates	0.5 bar	1.0 bar	2.0 bar	3.0 bar
	13 lpm	14 lpm	20 lpm	24 lpm

All finishes inc Chrome Made to Order

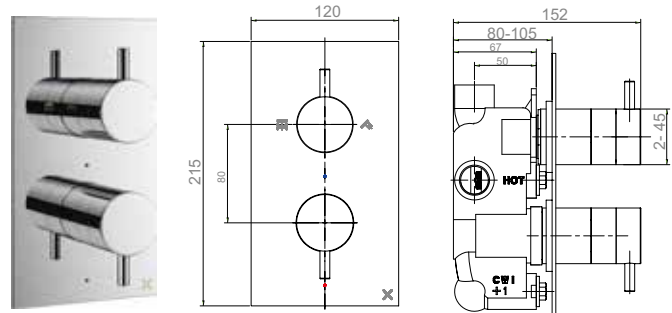
PRO1500RC | THERMO SHOWER VALVE



Double outlet				
Wall mounted				
HP1 - suitable for high pressure plumbing systems				
Thermostatic cartridge CGPRO1000T				
Ceramic disc cartridge CGPRO1500D				
Chrome plated				
Bath & hand shower etched				
Inlet supply - threaded 3/4" female connectors				
Guarantee - 15 years (excluding ceramic disc cartridge, 5 year guarantee)				
WRAS approval number - 1112080				
Flow rates	0.5 bar	1.0 bar	2.0 bar	3.0 bar
	13 lpm	14 lpm	20 lpm	24 lpm

All finishes inc Chrome Made to Order

PRO1510RC | THERMO SHOWER VALVE



Double outlet				
Wall mounted				
HP1 - suitable for high pressure plumbing systems				
Thermostatic cartridge CGPRO1000T				
Ceramic disc cartridge CGPRO1500D				
Chrome plated				
Fixed head & hand shower etched				
Inlet supply - threaded 3/4" female connectors				
Guarantee - 15 years (excluding ceramic disc cartridge, 5 year guarantee)				
WRAS approval number - 1112080				
Flow rates	0.5 bar	1.0 bar	2.0 bar	3.0 bar
	13 lpm	14 lpm	20 lpm	24 lpm

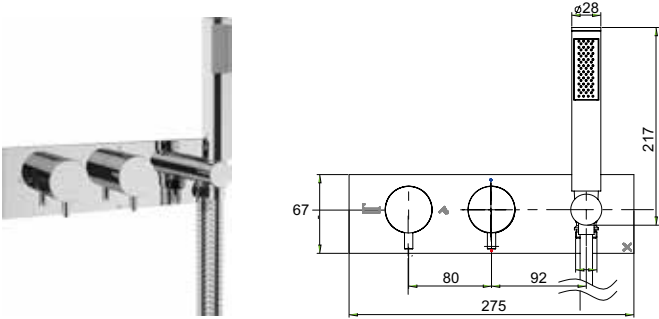
Stainless Steel available from stock PRO1510RV

MIKE
PRO^x



MIKE PRO SHOWER VALVES

PRO1701RC | THERMO SHOWER VALVE



Double outlet

Wall mounted

HP1 - suitable for high pressure plumbing systems

Thermostatic cartridge CGPRO1000T

Ceramic disc cartridge CGPRO1500D

Chrome plated

Bath & hand shower etched

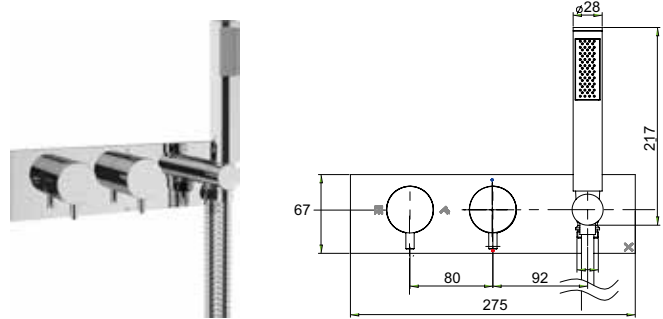
Inlet supply - threaded 3/4" female connectors

Guarantee - 15 years (excluding ceramic disc cartridge, 5 year guarantee)

WRAS approval number - 1411312

Flow rates	0.5 bar	1.0 bar	2.0 bar	3.0 bar
	13 lpm	14 lpm	20 lpm	24 lpm

PRO1711RC | THERMO SHOWER VALVE



Double outlet

Wall mounted

HP1 - suitable for high pressure plumbing systems

Thermostatic cartridge CGPRO1000T

Ceramic disc cartridge CGPRO1500D

Chrome plated

Fixed head & hand shower etched

Inlet supply - threaded 3/4" female connectors

Guarantee - 15 years (excluding ceramic disc cartridge, 5 year guarantee)

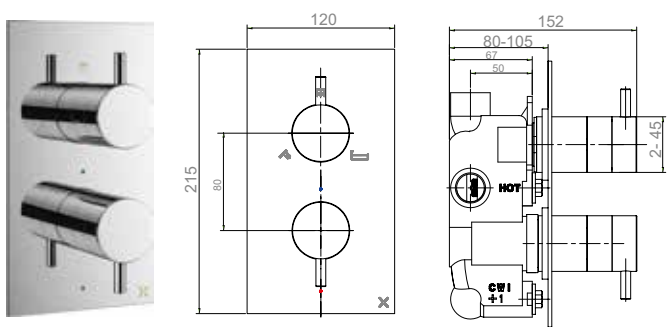
WRAS approval number - 1411312

Flow rates	0.5 bar	1.0 bar	2.0 bar	3.0 bar
	13 lpm	14 lpm	20 lpm	24 lpm

Chrome Made to Order

May be subject to minimum order quantity

PRO2500RC | THERMO SHOWER VALVE



Triple outlet

Wall mounted

HP1 - suitable for high pressure plumbing systems

Thermostatic cartridge CGPRO1000T

Ceramic disc cartridge CGPRO2500D

Chrome plated

Fixed head, bath & hand shower etched

Inlet supply - threaded 3/4" female connectors

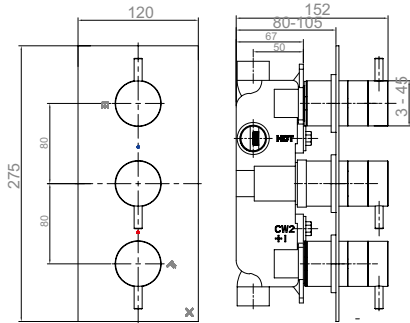
Guarantee - 15 years (excluding ceramic disc cartridge, 5 year guarantee)

WRAS approval number - 1404306

Flow rates	0.5 bar	1.0 bar	2.0 bar	3.0 bar
	10 lpm	17 lpm	21 lpm	24 lpm

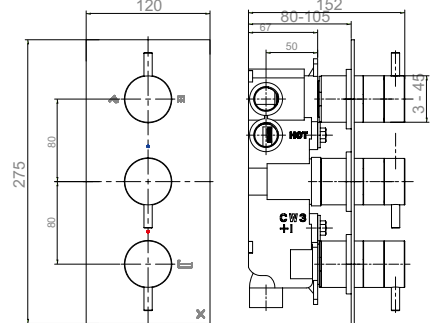


PRO2000RC | THERMO SHOWER VALVE



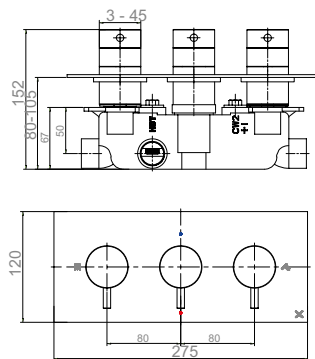
- Double outlet
 - Wall mounted
 - LP - suitable for all plumbing systems
 - Thermostatic cartridge CGPRO1000T
 - Ceramic disc cartridge CGPRO2000C
 - Chrome plated
 - Fixed head & hand shower etched
 - Inlet supply - threaded 3/4" female connectors
 - Guarantee - 15 years (excluding ceramic disc cartridge, 5 year guarantee)
 - WRAS approval number - 1112080
- | Flow rates | 0.5 bar | 1.0 bar | 2.0 bar | 3.0 bar |
|------------|---------|---------|---------|---------|
| | 14 lpm | 15 lpm | 22 lpm | 27 lpm |

PRO3000RC | THERMO SHOWER VALVE



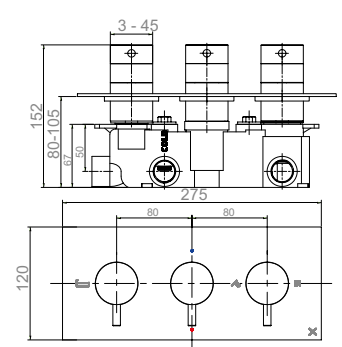
- Triple outlet
 - Wall mounted
 - HP1 - suitable for high pressure plumbing systems
 - Thermostatic cartridge CGPRO1000T
 - Ceramic disc cartridge CGPRO1500D | CGPRO2000C
 - Chrome plated
 - Fixed head, bath & hand shower etched
 - Inlet supply - threaded 3/4" female connectors
 - Guarantee - 15 years (excluding ceramic disc cartridge, 5 year guarantee)
 - WRAS approval number - 1112080
- | Flow rates | 0.5 bar | 1.0 bar | 2.0 bar | 3.0 bar |
|------------|---------|---------|---------|---------|
| | 14 lpm | 15 lpm | 22 lpm | 27 lpm |

PRO2001RC | THERMO SHOWER VALVE



- Double outlet
 - Wall mounted
 - LP - suitable for all plumbing systems
 - Thermostatic cartridge CGPRO1000T
 - Ceramic disc cartridge CGPRO2000C | CGPRO1000H
 - Chrome plated
 - Fixed head & hand shower etched
 - Inlet supply - threaded 3/4" female connectors
 - Guarantee - 15 years (excluding ceramic disc cartridge, 5 year guarantee)
 - WRAS approval number - 1112080
- | Flow rates | 0.5 bar | 1.0 bar | 2.0 bar | 3.0 bar |
|------------|---------|---------|---------|---------|
| | 14 lpm | 15 lpm | 22 lpm | 27 lpm |

PRO3001RC | THERMO SHOWER VALVE



- Triple outlet
 - Wall mounted
 - HP1 - suitable for high pressure plumbing systems
 - Thermostatic cartridge CGPRO1000T
 - Ceramic disc cartridge CGPRO1500D | CGPRO2000C
 - Chrome plated
 - Fixed head, bath & hand shower etched
 - Inlet supply - threaded 3/4" female connectors
 - Guarantee - 15 years (excluding ceramic disc cartridge, 5 year guarantee)
 - WRAS approval number - 1112080
- | Flow rates | 0.5 bar | 1.0 bar | 2.0 bar | 3.0 bar |
|------------|---------|---------|---------|---------|
| | 14 lpm | 15 lpm | 22 lpm | 27 lpm |



BELGRAVIA

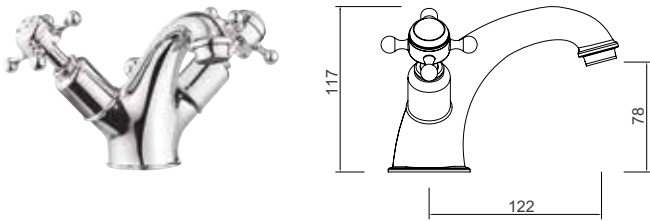
• EST. 1899 •



AN AUTHENTIC COLLECTION OF BRASSWARE

BELGRAVIA BASIN MONOBLOCS

BL110DPC | BASIN MONOBLOC



With pop up waste

LP - suitable for all plumbing systems

Ceramic disc cartridge 1/2" quarter turn

Chrome plated

Also available in polished nickel HG110DPN

Inlet supply - flexi tails with 1/2" female connectors

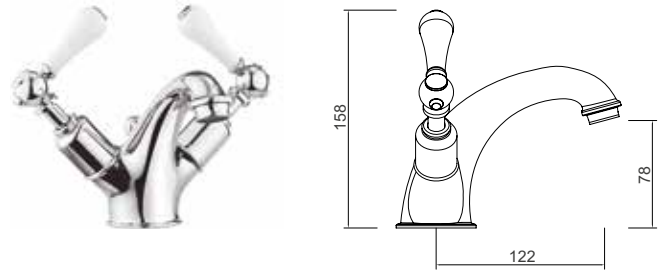
Guarantee - 15 years (excluding ceramic disc cartridge, 5 year guarantee)

WRAS approval number - 1310009

Flow rates	0.2 bar	0.5 bar	1.0 bar	3.0 bar
	7 lpm	12 lpm	13 lpm	13 lpm

Flow regulators available

BL110DPC_LV | BASIN MONOBLOC



With pop up waste

LP - suitable for all plumbing systems

Ceramic disc cartridge 1/2" quarter turn

Chrome plated

Inlet supply - flexi tails with 1/2" female connectors

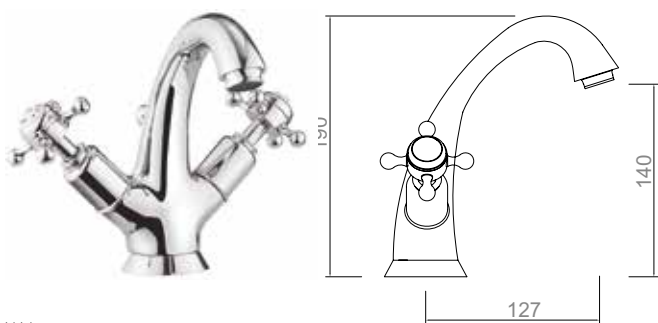
Guarantee - 15 years (excluding ceramic disc cartridge, 5 year guarantee)

WRAS approval number - 1310009

Flow rates	0.2 bar	0.5 bar	1.0 bar	3.0 bar
	7 lpm	12 lpm	13 lpm	13 lpm

Flow regulators available

BL112DPC | BASIN TALL MONOBLOC



With pop up waste

LP - suitable for all plumbing systems

Ceramic disc cartridge 1/2" quarter turn

Chrome plated

Also available in polished nickel HG112DPN

Inlet supply - flexi tails with 1/2" female connectors

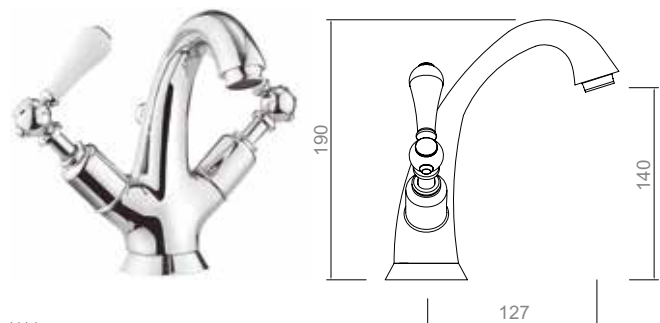
Guarantee - 15 years (excluding ceramic disc cartridge, 5 year guarantee)

WRAS approval number - Pending

Flow rates	0.2 bar	0.5 bar	1.0 bar	3.0 bar
	7 lpm	12 lpm	13 lpm	13 lpm

Flow regulators available

BL112DPC_LV | BASIN TALL MONOBLOC



With pop up waste

LP - suitable for all plumbing systems

Ceramic disc cartridge 1/2" quarter turn

Chrome plated

Inlet supply - flexi tails with 1/2" female connectors

Guarantee - 15 years (excluding ceramic disc cartridge, 5 year guarantee)

WRAS approval number - Pending

Flow rates	0.2 bar	0.5 bar	1.0 bar	3.0 bar
	7 lpm	12 lpm	13 lpm	13 lpm

Flow regulators available

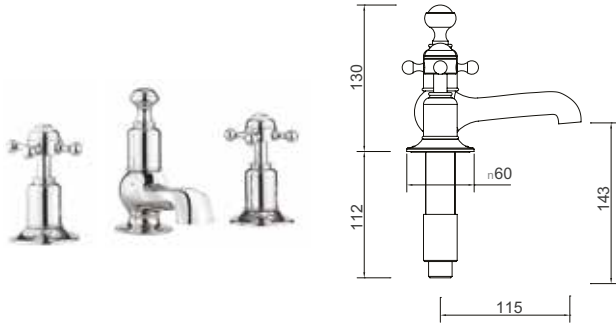
BELGRAVIA

• EST. 1899 •



BELGRAVIA BASIN SETS

BL130DPC | BASIN THREE HOLE SET



With pop up waste

LP - suitable for all plumbing systems

Ceramic disc cartridge 1/2" quarter turn

Chrome plated

Also available in polished nickel HG130DPN

Inlet supply - threaded 1/2" male connectors

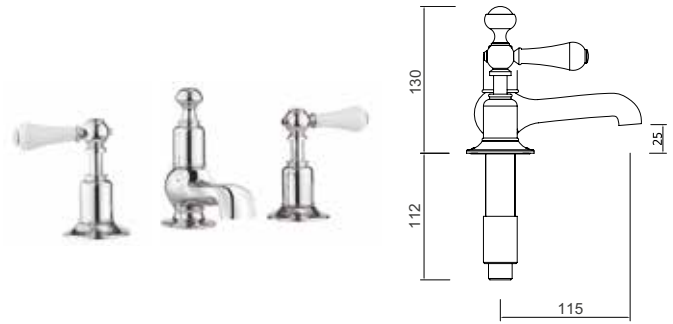
Guarantee - 15 years (excluding ceramic disc cartridge, 5 year guarantee)

WRAS approval number - Pending

Flow rates	0.2 bar	0.5 bar	1.0 bar	3.0 bar
	9 lpm	16 lpm	22 lpm	25 lpm

Flow regulators available

BL130DPC_LV | BASIN THREE HOLE SET



With pop up waste

LP - suitable for all plumbing systems

Ceramic disc cartridge 1/2" quarter turn

Chrome plated

Inlet supply - threaded 1/2" male connectors

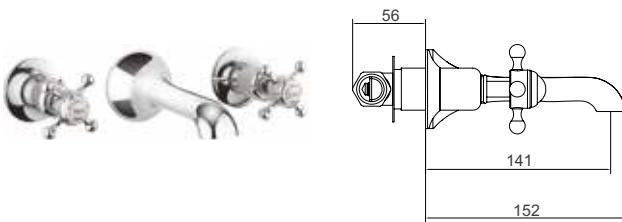
Guarantee - 15 years (excluding ceramic disc cartridge, 5 year guarantee)

WRAS approval number - Pending

Flow rates	0.2 bar	0.5 bar	1.0 bar	3.0 bar
	9 lpm	16 lpm	22 lpm	25 lpm

Flow regulators available

BL131WNC | BASIN THREE HOLE SET



With no pop up waste

LP - suitable for all plumbing systems

Ceramic disc cartridge 1/2" quarter turn

Chrome plated

Inlet supply - threaded 1/2" female connectors

Guarantee - 15 years (excluding ceramic disc cartridge, 5 year guarantee)

WRAS approval number - 1603320

Flow rates	0.2 bar	0.5 bar	1.0 bar	3.0 bar
	8 lpm	14 lpm	18 lpm	22 lpm

Flow regulators available

BL131WNC_LV | BASIN THREE HOLE SET



With no pop up waste

LP - suitable for all plumbing systems

Ceramic disc cartridge 1/2" quarter turn

Chrome plated

Inlet supply - threaded 1/2" female connectors

Guarantee - 15 years (excluding ceramic disc cartridge, 5 year guarantee)

WRAS approval number - 1603320

Flow rates	0.2 bar	0.5 bar	1.0 bar	3.0 bar
	8 lpm	14 lpm	18 lpm	22 lpm

Flow regulators available

BELGRAVIA

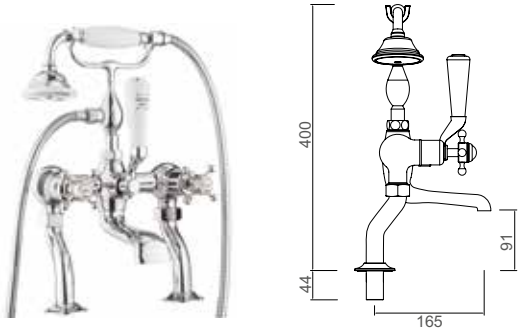
• EST. 1899 •



POLISHED NICKEL FINISH

BELGRAVIA BATH SETS / BATH SHOWER MIXERS

BL422DC | BATH SHOWER MIXER



Deck or wall mounted

With single mode handset

MP - suitable for plumbing systems from 0.5 bar

Ceramic disc cartridge 1/2" quarter turn

Chrome plated

Also available in polished nickel HG422DN

Shown with deck mounted legs

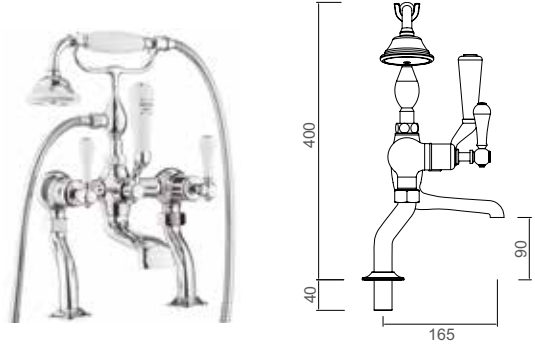
Inlet supply - threaded 1/2" male connectors

Guarantee - 15 years (excluding ceramic disc cartridge, 5 year guarantee)

WRAS approval number - 1311038

Flow rates	0.2 bar	0.5 bar	1.0 bar	3.0 bar
	10 lpm	20 lpm	26 lpm	29 lpm

BL422DC_LV | BATH SHOWER MIXER



Deck or wall mounted

With single mode handset

MP - suitable for plumbing systems from 0.5 bar

Ceramic disc cartridge 1/2" quarter turn

Chrome plated

Shown with wall mounted legs BL004WC

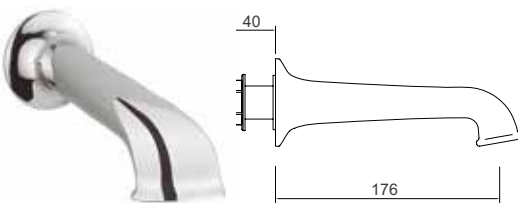
Inlet supply - threaded 1/2" male connectors

Guarantee - 15 years (excluding ceramic disc cartridge, 5 year guarantee)

WRAS approval number - 1311038

Flow rates	0.2 bar	0.5 bar	1.0 bar	3.0 bar
	10 lpm	20 lpm	26 lpm	29 lpm

BL0370WC | BATH SPOUT



Wall mounted

MP - suitable for plumbing systems from 0.5 bar

Ceramic disc cartridge 1/2" quarter turn

Chrome plated

Inlet supply - threaded 1/2" male connectors

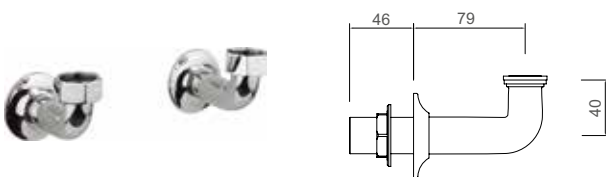
Guarantee - 15 years (excluding ceramic disc cartridge, 5 year guarantee)

WRAS approval number - Pending

Flow rates	0.2 bar	0.5 bar	1.0 bar	3.0 bar
	10 lpm	20 lpm	26 lpm	29 lpm



BL004WC | WALL LEGS



Wall mounted

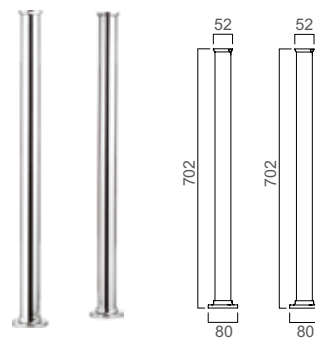
Suitable for use on BL422DC & BL322DC

Chrome plated

Inlet supply - threaded 3/4" male connectors

Guarantee - 15 years (excluding ceramic disc cartridge, 5 year guarantee)

BL002FC | FLOOR LEGS

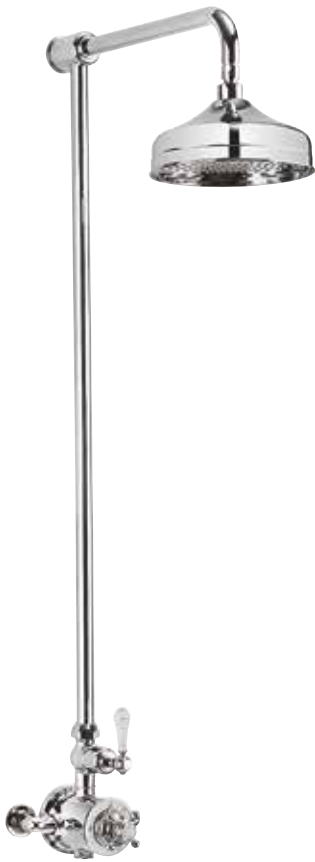


Floor mounted

Suitable for use on BL422DC & BL322DC

Chrome plated

Guarantee - 15 years (excluding ceramic disc cartridge, 5 year guarantee)



BEL_SHOWER | BELGRAVIA THERMOSTATIC SHOWER VALVE WITH FIXED HEAD

With pop up waste

LP - suitable for all plumbing systems

Ceramic disc cartridge 1/2" quarter turn

Chrome plated

Also available in polished nickel HG_SHOWERN

Inlet supply - flexi tails with 1/2" female connectors

Guarantee - 15 years (excluding ceramic disc cartridge, 5 year guarantee)

WRAS approval number - Pending



BEL_SLIDER | BELGRAVIA MULTIFUNCTION SHOWER VALVE WITH FIXED HEAD & SINGLE MODE SHOWER KIT ON SLIDER RAIL

With pop up waste

LP - suitable for all plumbing systems

Ceramic disc cartridge 1/2" quarter turn

Chrome plated

Also available in polished nickel HG_SLIDERN

Inlet supply - flexi tails with 1/2" female connectors

Guarantee - 15 years (excluding ceramic disc cartridge, 5 year guarantee)

WRAS approval number - Pending



BEL_BRACKET | BELGRAVIA MULTIFUNCTION SHOWER VALVE WITH FIXED HEAD, SINGLE MODE SHOWER KIT & WALL BRACKET

With pop up waste

LP - suitable for all plumbing systems

Ceramic disc cartridge 1/2" quarter turn

Chrome plated

Also available in polished nickel HG_BRACKETN

Inlet supply - flexi tails with 1/2" female connectors

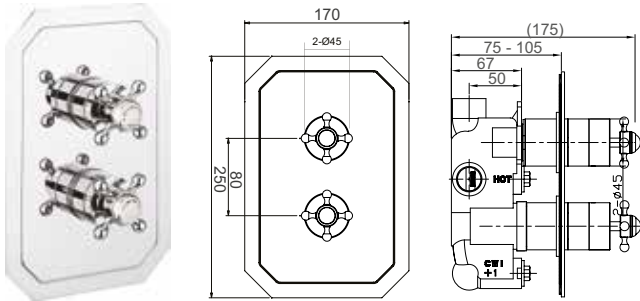
Guarantee - 15 years (excluding ceramic disc cartridge, 5 year guarantee)

WRAS approval number - Pending



BELGRAVIA SHOWER VALVES

BL1000RC+ | THERMO SHOWER VALVE



Single Outlet

Wall mounted

LP - suitable for all plumbing systems

Thermostatic cartridge CA43-29

Ceramic disc cartridge

Chrome plated

Also available in polished nickel HG1000RC+

H & C arrow etched with outlet marking

Inlet supply - threaded 3/4" female connectors

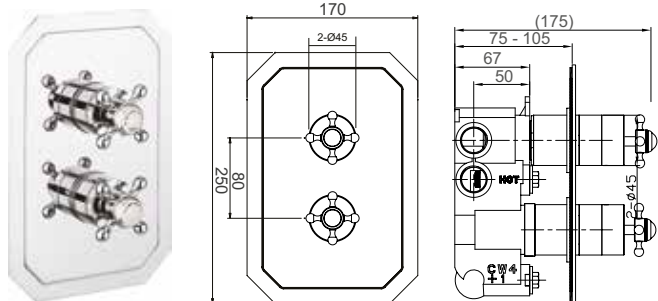
Guarantee - 15 years (excluding ceramic disc cartridge, 5 year guarantee)

WRAS approval number - 1112080

Flow rates	0.5 bar	1.0 bar	2.0 bar	3.0 bar
	13 lpm	15 lpm	21 lpm	25 lpm



BL1500RC+ | THERMO SHOWER VALVE



Double outlet

Wall mounted

HP1 - suitable for high pressure plumbing systems

Thermostatic cartridge CA43-29

Ceramic disc cartridge

Chrome plated

Also available in polished nickel HG1500RC+

H & C arrow etched with outlet marking

Inlet supply - threaded 3/4" female connectors

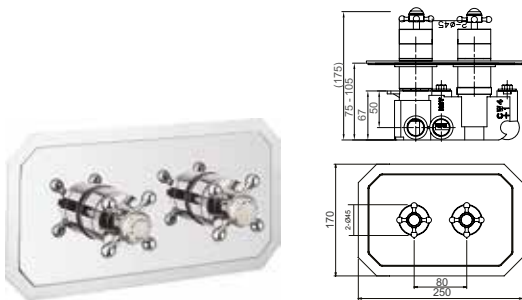
Guarantee - 15 years (excluding ceramic disc cartridge, 5 year guarantee)

WRAS approval number - 1112080

Flow rates	0.5 bar	1.0 bar	2.0 bar	3.0 bar
	13 lpm	14 lpm	20 lpm	24 lpm



BL1501RC+ | THERMOSTATIC SHOWER VALVE WITH 2 WAY DIVERTER



Double outlet

Wall mounted

HP1 - suitable for high pressure plumbing systems

Thermostatic cartridge CGPRO1000T

Ceramic disc cartridge CGPRO1500D

Chrome plated

Also available in polished nickel HG1501RC+

No etchings

Inlet supply - threaded 3/4" female connectors

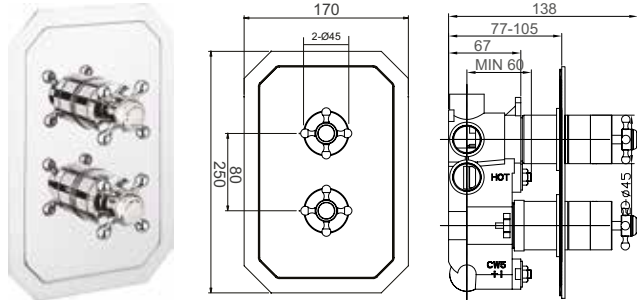
Guarantee - 15 years (excluding ceramic disc cartridge, 5 year guarantee)

WRAS approval number - 1112080

Flow rates	0.5 bar	1.0 bar	2.0 bar	3.0 bar
	13 lpm	14 lpm	20 lpm	24 lpm



BL2500RC+ | THERMO SHOWER VALVE



Triple outlet

Wall mounted

HP1 - suitable for high pressure plumbing systems

Thermostatic cartridge CA43-29

Ceramic disc cartridge

Chrome plated

Also available in polished nickel HG2500RC+

Un etched plate

Inlet supply - threaded 3/4" female connectors

Guarantee - 15 years (excluding ceramic disc cartridge, 5 year guarantee)

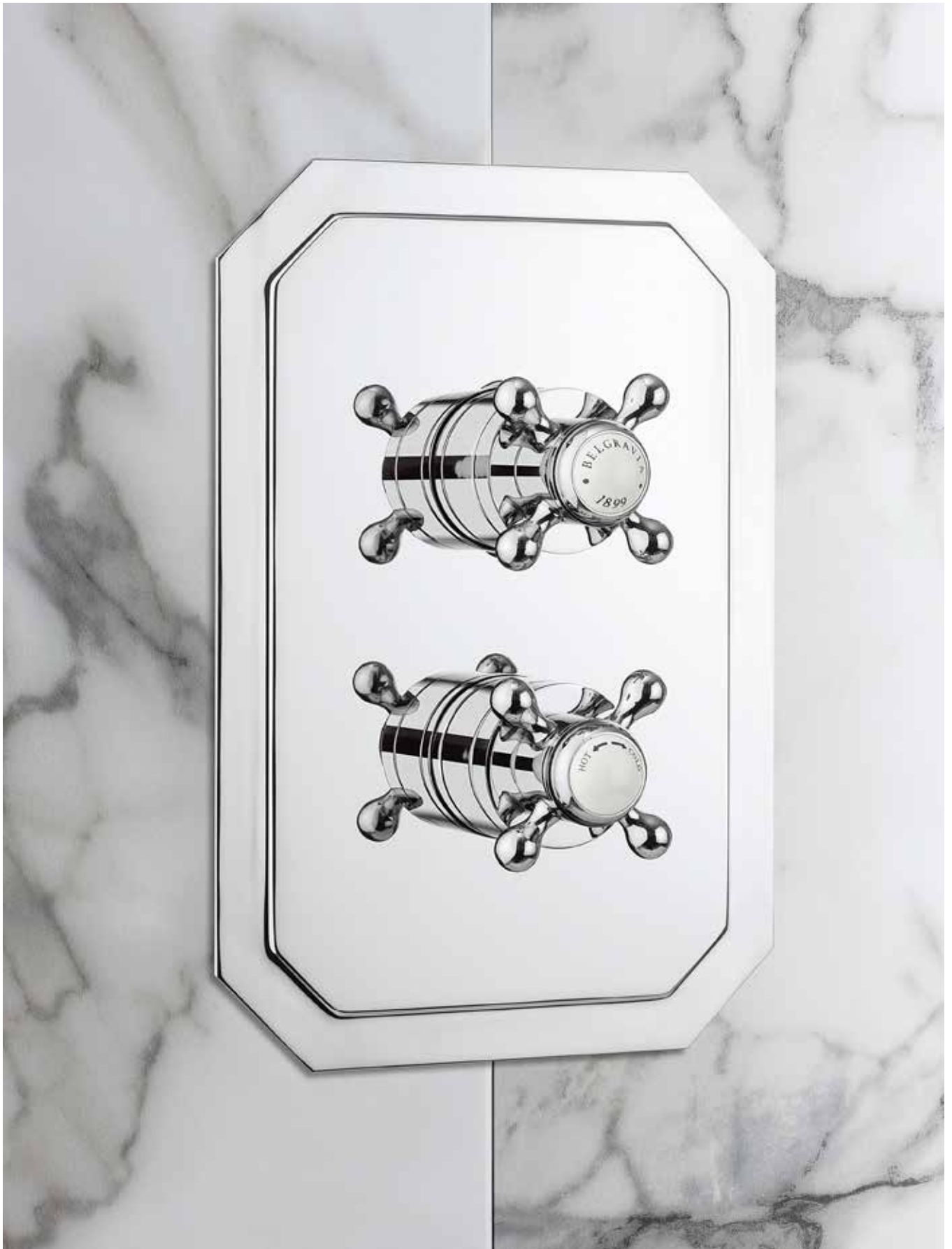
WRAS approval number - 1404306

Flow rates	0.5 bar	1.0 bar	2.0 bar	3.0 bar
	10 lpm	17 lpm	21 lpm	24 lpm



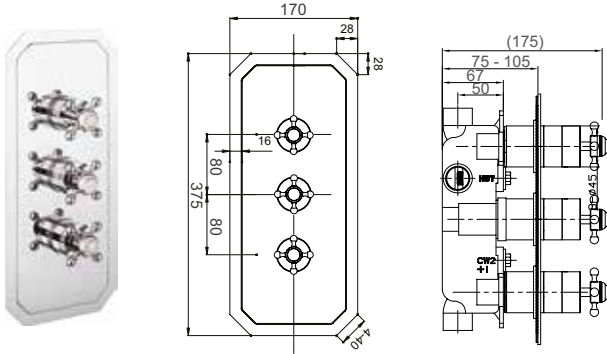
BELGRAVIA

• EST. 1899 •



BELGRAVIA SHOWER VALVES

BL2000RC+ | THERMO SHOWER VALVE



Double outlet
 Wall mounted
 HP1 - suitable for high pressure plumbing systems
 Thermostatic cartridge CA43-29
 Ceramic disc cartridge
 Chrome plated

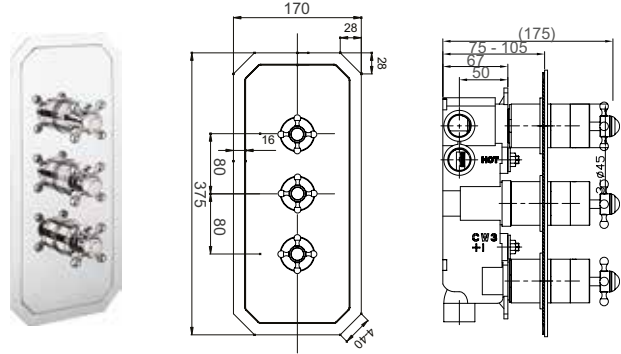


Also available in polished nickel HG2000RC+

Un etched plate
 Inlet supply - threaded 3/4" female connectors
 Guarantee - 15 years (excluding ceramic disc cartridge, 5 year guarantee)
 WRAS approval number - 1112080

Flow rates	0.5 bar	1.0 bar	2.0 bar	3.0 bar
	13 lpm	14 lpm	20 lpm	24 lpm

BL3000RC+ | THERMO SHOWER VALVE



Triple outlet
 Wall mounted
 HP1 - suitable for high pressure plumbing systems
 Thermostatic cartridge CA43-29
 Ceramic disc cartridge
 Chrome plated

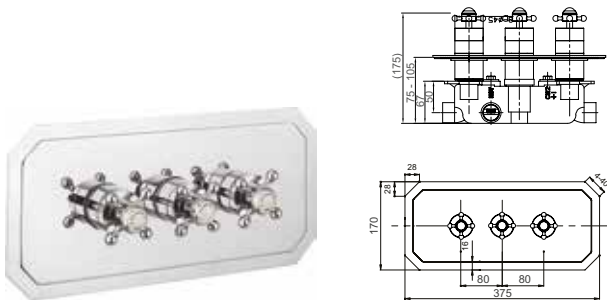


Also available in polished nickel HG3000RC+

Un etched plate
 Inlet supply - threaded 3/4" female connectors
 Guarantee - 15 years (excluding ceramic disc cartridge, 5 year guarantee)
 WRAS approval number - 1112080

Flow rates	0.5 bar	1.0 bar	2.0 bar	3.0 bar
	14 lpm	15 lpm	22 lpm	27 lpm

BL2001RC+ | THERMOSTATIC SHOWER VALVE WITH 2 WAY DIVERTER



Double outlet
 Wall mounted
 LP - suitable for all plumbing systems
 Thermostatic cartridge CGPRO1000T
 Ceramic disc cartridge CGPRO2000C | CGPRO1000H
 Chrome plated

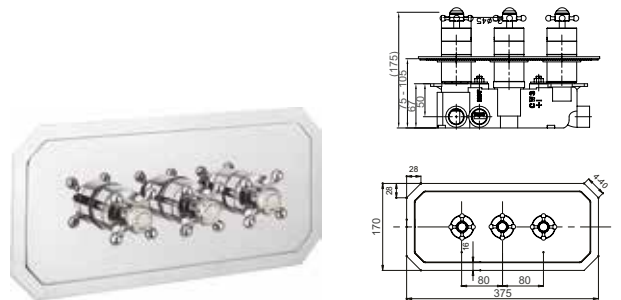


Also available in polished nickel HG2001RC+

Fixed head & hand shower etched
 Inlet supply - threaded 3/4" female connectors
 Guarantee - 15 years (excluding ceramic disc cartridge, 5 year guarantee)
 WRAS approval number - 1112080

Flow rates	0.5 bar	1.0 bar	2.0 bar	3.0 bar
	14 lpm	15 lpm	22 lpm	27 lpm

BL3001RC+ | THERMOSTATIC SHOWER VALVE WITH 3 WAY DIVERTER



Triple outlet
 Wall mounted
 HP1 - suitable for high pressure plumbing systems
 Thermostatic cartridge CGPRO1000T
 Ceramic disc cartridge CGPRO1500D | CGPRO2000C
 Chrome plated



Also available in polished nickel HG3001RC+

Fixed head, bath & hand shower etched
 Inlet supply - threaded 3/4" female connectors
 Guarantee - 15 years (excluding ceramic disc cartridge, 5 year guarantee)
 WRAS approval number - 1112080

Flow rates	0.5 bar	1.0 bar	2.0 bar	3.0 bar
	14 lpm	15 lpm	22 lpm	27 lpm

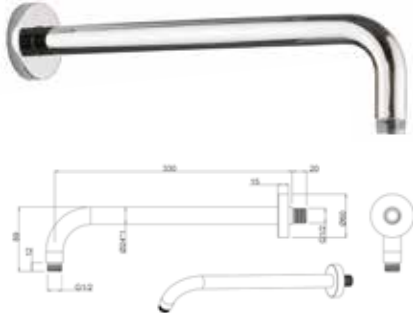
BELGRAVIA

• EST. 1899 •



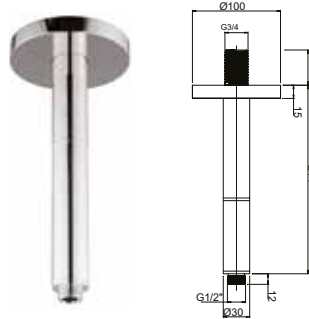
BELGRAVIA SHOWER ARMS / SHOWER HEADS

FH684C | SHOWER ARM



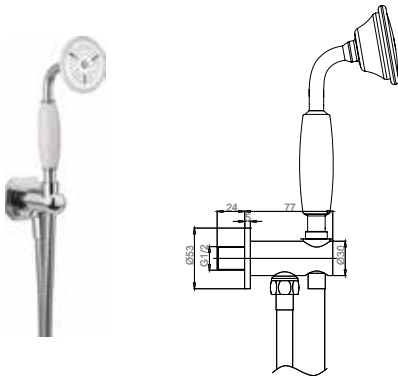
Brass plated chrome with wall cover
 Suitable for all Crosswater fixed heads
 Guarantee - 15 years
 WRAS approval number - not required
Also available in polished nickel FH684N

FH685C | SHOWER ARM



Ceiling mounted
 Chrome plated
 Inlet supply - threaded 1/2" male connectors
 Guarantee - 15 years
 WRAS approval number - not required
Also available in polished nickel FH685N

BL964C | SHOWER KIT



Wall mounted
 MP - suitable for plumbing systems from 0.5 bar
 Single function spray
 1.5m hose
 Chrome plated
 Inlet supply - flexihose 1/2" female connectors
 Guarantee - 15 years

Flow rates	0.5 bar	1.0 bar	2.0 bar	3.0 bar
	7 lpm	10 lpm	14 lpm	17 lpm

Optional 8 lpm shower flow regulator 58.86381
Also available in polished nickel BL964N





FH08C | SHOWER HEAD



Wall or ceiling mounted

MP - suitable for plumbing systems from 0.5 bar

Single function spray

Chrome plated

Inlet supply - threaded 1/2" female connectors

Guarantee - 10 years

Flow rates	0.5 bar	1.0 bar	2.0 bar	3.0 bar
	9 lpm	10 lpm	14 lpm	18 lpm

Optional 8 lpm shower flow regulator 58.86411

Also available in polished nickel FH08N

FH12C | SHOWER HEAD



Wall or ceiling mounted

HP1 - suitable for high pressure plumbing systems

Single function spray

Chrome plated

Inlet supply - threaded 1/2" female connectors

Guarantee - 10 years

Flow rates	0.5 bar	1.0 bar	2.0 bar	3.0 bar
	13 lpm	20 lpm	30 lpm	38 lpm

Optional 8 lpm shower flow regulator 58.86411

Also available in polished nickel FH12N



Waldorf

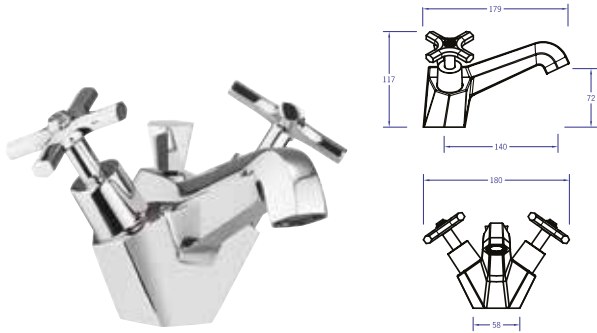
Bathroom Collection



COMBINING EXQUISITE CRAFTSMANSHIP
WITH EARLY TWENTIETH-CENTURY STYLE

WALDORF BASIN MONOBLOCS

WF110DPC | BASIN MONOBLOC



With pop up waste

LP - suitable for all plumbing systems

Ceramic disc cartridge 1/2" quarter turn

Chrome plated

Inlet supply - flexi tails with 1/2" female connectors

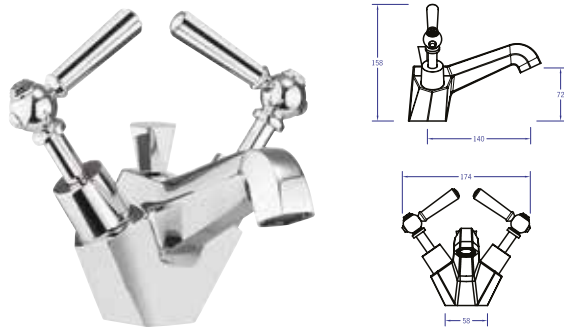
Guarantee - 15 years (excluding ceramic disc cartridge, 5 year guarantee)

WRAS approval number - Pending

Flow rates	0.2 bar	0.5 bar	1.0 bar	3.0 bar
	7 lpm	12 lpm	13 lpm	13 lpm

Flow regulators available

WF110DPC_CLV | BASIN MONOBLOC



With pop up waste

LP - suitable for all plumbing systems

Ceramic disc cartridge 1/2" quarter turn

Chrome plated

Also available with White Ceramic Levers WF110DPC_LV+ or Black Ceramic Levers WF110DPC_BLV+

Inlet supply - flexi tails with 1/2" female connectors

Guarantee - 15 years (excluding ceramic disc cartridge, 5 year guarantee)

WRAS approval number - Pending

Flow rates	0.2 bar	0.5 bar	1.0 bar	3.0 bar
	7 lpm	12 lpm	13 lpm	13 lpm

Flow regulators available

4 EXCLUSIVE LEVER OPTIONS TO CHOOSE FROM

Waldorf faucets and showers are available in 4 lever options. Please contact Crosswater Bathrooms to discuss.



Chrome Crosshead



Black Lever



Chrome Lever

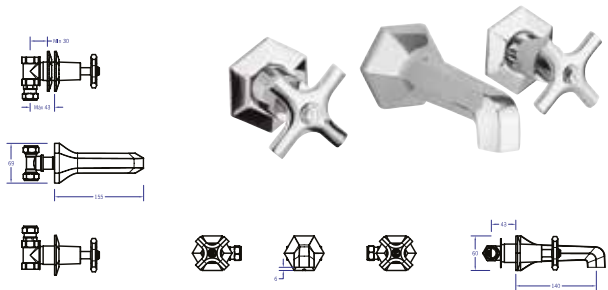


White Lever



WALDORF BASIN SETS

WF131WNC | BASIN THREE HOLE SET



Wall mounted

With no pop up waste

LP - suitable for all plumbing systems

Ceramic disc cartridge 1/2" quarter turn

Chrome plated

Inlet supply - threaded 1/2" female connectors

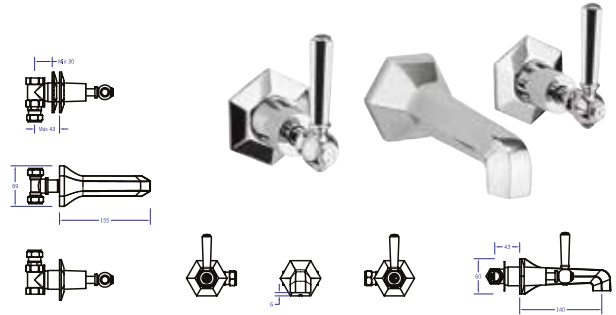
Guarantee - 15 years (excluding ceramic disc cartridge, 5 year guarantee)

WRAS approval number - Pending

Flow rates	0.2 bar	0.5 bar	1.0 bar	3.0 bar
	8 lpm	14 lpm	18 lpm	22 lpm

Flow regulators available

WF131WNC_CLV | BASIN THREE HOLE SET



Wall mounted

With no pop up waste

LP - suitable for all plumbing systems

Ceramic disc cartridge 1/2" quarter turn

Chrome plated

Also available with White Ceramic Levers WF131WNC_LV+ or Black Ceramic Levers WF131WNC_BLV+

Inlet supply - threaded 1/2" female connectors

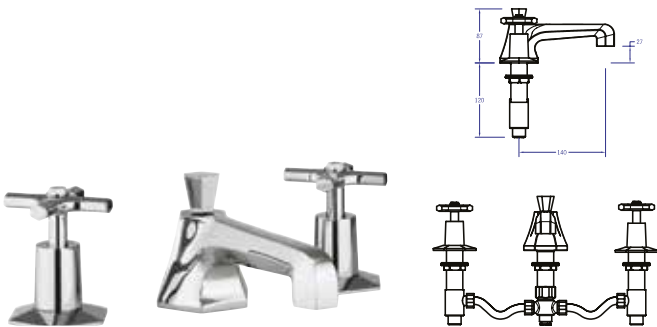
Guarantee - 15 years (excluding ceramic disc cartridge, 5 year guarantee)

WRAS approval number - Pending

Flow rates	0.2 bar	0.5 bar	1.0 bar	3.0 bar
	8 lpm	14 lpm	18 lpm	22 lpm

Flow regulators available

WF130DPC | BASIN THREE HOLE SET



Deck mounted

LP - suitable for all plumbing systems

Ceramic disc cartridge 1/2" quarter turn

Chrome plated

Inlet supply - threaded 1/2" male connectors

Guarantee - 15 years (excluding ceramic disc cartridge, 5 year guarantee)

WRAS approval number - Pending

Flow rates	0.2 bar	0.5 bar	1.0 bar	3.0 bar
	9 lpm	16 lpm	22 lpm	25 lpm

Flow regulators available

WF130DPC_CLV | BASIN THREE HOLE SET



Deck mounted

LP - suitable for all plumbing systems

Ceramic disc cartridge 1/2" quarter turn

Chrome plated

Also available with White Ceramic Levers WF130DPC_LV+ or Black Ceramic Levers WF130DPC_BLV+

Inlet supply - threaded 1/2" male connectors

Guarantee - 15 years (excluding ceramic disc cartridge, 5 year guarantee)

WRAS approval number - Pending

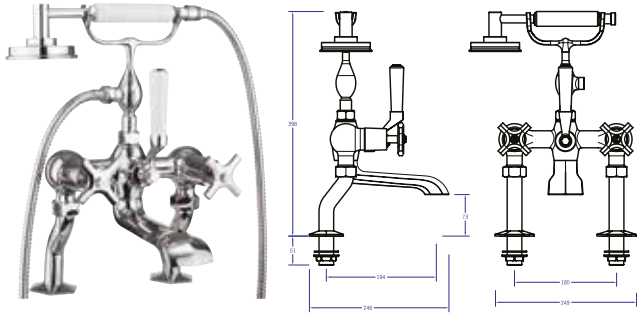
Flow rates	0.2 bar	0.5 bar	1.0 bar	3.0 bar
	9 lpm	16 lpm	22 lpm	25 lpm

Flow regulators available



WALDORF BATH SHOWER MIXERS

WF422DC | BATH SHOWER MIXER



Deck mounted

With single mode handset

HP1 - suitable for high pressure plumbing systems

Ceramic disc cartridge 1/2" quarter turn

Chrome plated

Shown with deck mounted legs

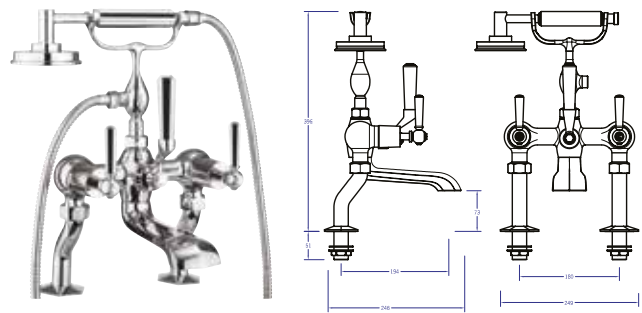
Inlet supply - threaded 1/2" male connectors

Guarantee - 15 years (excluding ceramic disc cartridge, 5 year guarantee)

WRAS approval number - Pending

Flow rates	0.2 bar	0.5 bar	1.0 bar	3.0 bar
	10 lpm	20 lpm	26 lpm	29 lpm

WF422DC_CLV | BATH SHOWER MIXER



Deck mounted

With single mode handset

HP1 - suitable for high pressure plumbing systems

Ceramic disc cartridge 1/2" quarter turn

Chrome plated

Also available with White Ceramic Levers WF422DC_LV+ or Black Ceramic Levers WF422DC_BLV+

Shown with wall mounted legs BLO04WC

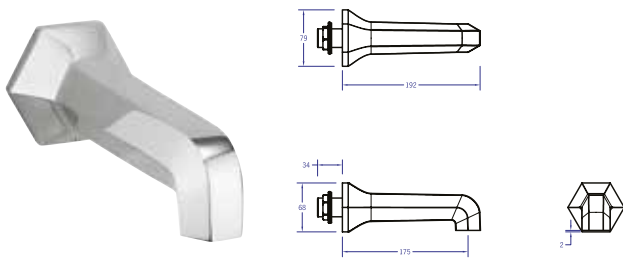
Inlet supply - threaded 1/2" male connectors

Guarantee - 15 years (excluding ceramic disc cartridge, 5 year guarantee)

WRAS approval number - Pending

Flow rates	0.2 bar	0.5 bar	1.0 bar	3.0 bar
	10 lpm	20 lpm	26 lpm	29 lpm

WF0370WC | BATH SPOUT



Wall mounted

LP - suitable for all plumbing systems

Ceramic disc cartridge 1/2" quarter turn

Chrome plated

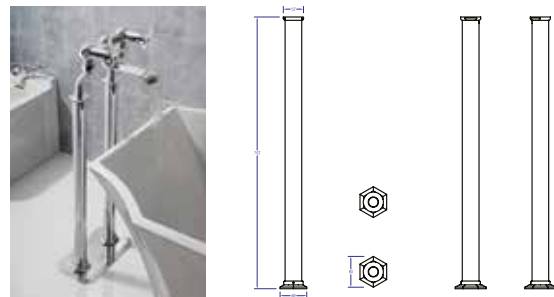
Inlet supply - threaded 1/2" male connectors

Guarantee - 15 years (excluding ceramic disc cartridge, 5 year guarantee)

WRAS approval number - Pending

Flow rates	0.2 bar	0.5 bar	1.0 bar	3.0 bar
	10 lpm	20 lpm	26 lpm	29 lpm

WF002FC & WF_PLATE | FLOOR LEGS & FLOOR PLATE



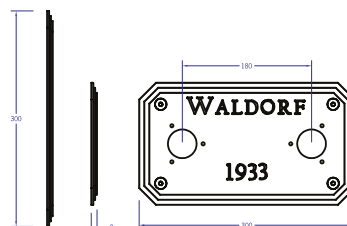
Floor mounted

Suitable for use on WF422DC & WF322DC

Chrome plated

Floor Legs WF002FC h 702mm

Floor Plate WF_PLATE w 70 x h 300mm





WALDORF SHOWER VALVES

WF1000RC+ | THERMO SHOWER VALVE



Single Outlet

Wall mounted

LP - suitable for all plumbing systems

Thermostatic cartridge CA43-29

Ceramic disc cartridge

Chrome plated

Un etched plate

Inlet supply - threaded 3/4" female connectors

Guarantee - 15 years (excluding ceramic disc cartridge, 5 year guarantee)

WRAS approval number - 1112080

Flow rates	0.5 bar	1.0 bar	2.0 bar	3.0 bar
	13 lpm	15 lpm	21 lpm	25 lpm



WF1000RC_CLV | THERMO SHOWER VALVE



Single Outlet

Wall mounted

LP - suitable for all plumbing systems

Thermostatic cartridge CA43-29

Ceramic disc cartridge

Chrome plated

Un etched plate

Also available with White Ceramic Levers WF1000RC_LV+ or Black Ceramic Levers WF1000RC_BLV+

Inlet supply - threaded 3/4" female connectors

Guarantee - 15 years (excluding ceramic disc cartridge, 5 year guarantee)

WRAS approval number - 1112080

Flow rates	0.5 bar	1.0 bar	2.0 bar	3.0 bar
	13 lpm	15 lpm	21 lpm	25 lpm



WF1500RC+ | THERMO SHOWER VALVE



Double outlet

Wall mounted

HPI - suitable for high pressure plumbing systems

Thermostatic cartridge CA43-29

Ceramic disc cartridge

Chrome plated

Un etched plate

Inlet supply - threaded 3/4" female connectors

Guarantee - 15 years (excluding ceramic disc cartridge, 5 year guarantee)

WRAS approval number - 1112080

Flow rates	0.5 bar	1.0 bar	2.0 bar	3.0 bar
	13 lpm	14 lpm	20 lpm	24 lpm



WF1500RC_CLV+ | THERMO SHOWER VALVE



Double outlet

Wall mounted

HPI - suitable for high pressure plumbing systems

Thermostatic cartridge CA43-29

Ceramic disc cartridge

Chrome plated

Un etched plate

Also available with White Ceramic Levers WF1500RC_LV+ or Black Ceramic Levers WF1500RC_BLV+

Inlet supply - threaded 3/4" female connectors

Guarantee - 15 years (excluding ceramic disc cartridge, 5 year guarantee)

WRAS approval number - 1112080

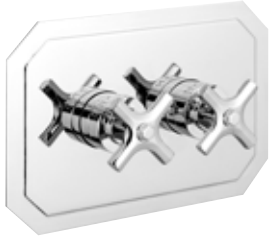
Flow rates	0.5 bar	1.0 bar	2.0 bar	3.0 bar
	13 lpm	14 lpm	20 lpm	24 lpm






WALDORF SHOWER VALVES


WF1501RC+ | THERMOSTATIC SHOWER VALVE WITH 2 WAY DIVERTER



Double outlet	
Wall mounted	
HP1 - suitable for high pressure plumbing systems	
Thermostatic cartridge CGPRO1000T	
Ceramic disc cartridge CGPRO1500D	
Chrome plated	
Un etched plate	
Inlet supply - threaded 3/4" female connectors	
Guarantee - 15 years (excluding ceramic disc cartridge, 5 year guarantee)	
WRAS approval number - 1112080	
Flow rates	
0.5 bar 1.0 bar 2.0 bar 3.0 bar	
13 lpm 14 lpm 20 lpm 24 lpm	


WF2500RC+ | THERMO SHOWER VALVE



Triple outlet	
Wall mounted	
HP1 - suitable for high pressure plumbing systems	
Thermostatic cartridge CA43-29	
Ceramic disc cartridge	
Chrome plated	
Un etched plate	
Inlet supply - threaded 3/4" female connectors	
Guarantee - 15 years (excluding ceramic disc cartridge, 5 year guarantee)	
WRAS approval number - 1404306	
Flow rates	
0.5 bar 1.0 bar 2.0 bar 3.0 bar	
10 lpm 17 lpm 21 lpm 24 lpm	


WF2000RC+ | THERMO SHOWER VALVE



Double outlet	
Wall mounted	
LP - suitable for all plumbing systems	
Thermostatic cartridge CA43-29	
Ceramic disc cartridge	
Chrome plated	
Un etched plate	
Inlet supply - threaded 3/4" female connectors	
Guarantee - 15 years (excluding ceramic disc cartridge, 5 year guarantee)	
WRAS approval number - 1112080	
Flow rates	
0.5 bar 1.0 bar 2.0 bar 3.0 bar	
13 lpm 14 lpm 20 lpm 24 lpm	

WF2000RC_CLV+ | THERMO SHOWER VALVE



Double outlet	
Wall mounted	
LP - suitable for all plumbing systems	
Thermostatic cartridge CA43-29	
Ceramic disc cartridge	
Chrome plated	
Also available with White Ceramic Levers WF2000RC_LV+ or Black Ceramic Levers WF2000RC_BLV+	
Un etched plate	
Inlet supply - threaded 3/4" female connectors	
Guarantee - 15 years (excluding ceramic disc cartridge, 5 year guarantee)	
WRAS approval number - 1112080	
Flow rates	
0.5 bar 1.0 bar 2.0 bar 3.0 bar	
13 lpm 14 lpm 20 lpm 24 lpm	

WF3000RC+ | THERMO SHOWER VALVE



Triple outlet

Wall mounted

HP3 - suitable for high pressure plumbing systems

Thermostatic cartridge CA43-29

Ceramic disc cartridge

Chrome plated

Un etched plate

Inlet supply - threaded 3/4" female connectors

Guarantee - 15 years (excluding ceramic disc cartridge, 5 year guarantee)

WRAS approval number - 1112080

Flow rates	0.5 bar	1.0 bar	2.0 bar	3.0 bar
	14 lpm	15 lpm	22 lpm	27 lpm



WF3000RC_CLV+ | THERMO SHOWER VALVE



Triple outlet

Wall mounted

HP3 - suitable for high pressure plumbing systems

Thermostatic cartridge CA43-29

Ceramic disc cartridge

Chrome plated

Also available with White Ceramic Levers WF3000RC_LV+ or Black Ceramic Levers WF3000RC_BLV+

Un etched plate

Inlet supply - threaded 3/4" female connectors

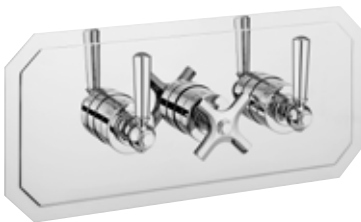
Guarantee - 15 years (excluding ceramic disc cartridge, 5 year guarantee)

WRAS approval number - 1112080

Flow rates	0.5 bar	1.0 bar	2.0 bar	3.0 bar
	14 lpm	15 lpm	22 lpm	27 lpm



WF2001RC_CLV+ | THERMOSTATIC SHOWER VALVE WITH 2 WAY DIVERTER



Double outlet

Wall mounted

LP - suitable for all plumbing systems

Thermostatic cartridge CGPRO1000T

Ceramic disc cartridge CGPRO2000C | CGPRO1000H

Chrome plated

Un etched plate

Inlet supply - threaded 3/4" female connectors

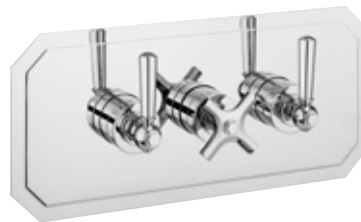
Guarantee - 15 years (excluding ceramic disc cartridge, 5 year guarantee)

WRAS approval number - 1112080

Flow rates	0.5 bar	1.0 bar	2.0 bar	3.0 bar
	14 lpm	15 lpm	22 lpm	27 lpm



WF3001RC_CLV+ | THERMOSTATIC SHOWER VALVE WITH 3 WAY DIVERTER



Triple outlet

Wall mounted

HP3 - suitable for high pressure plumbing systems

Thermostatic cartridge CGPRO1000T

Ceramic disc cartridge CGPRO1500D | CGPRO2000C

Chrome plated

Also available with White Ceramic Levers WF3001RC_LV+ or Black Ceramic Levers WF3001RC_BLV+

Un etched plate

Inlet supply - threaded 3/4" female connectors

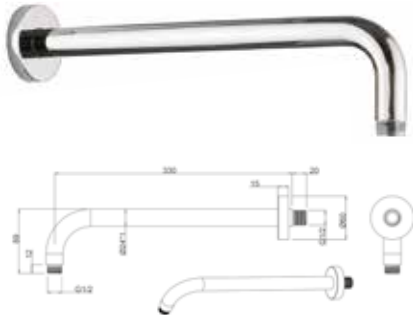
Guarantee - 15 years (excluding ceramic disc cartridge, 5 year guarantee)

WRAS approval number - 1112080

Flow rates	0.5 bar	1.0 bar	2.0 bar	3.0 bar
	14 lpm	15 lpm	22 lpm	27 lpm

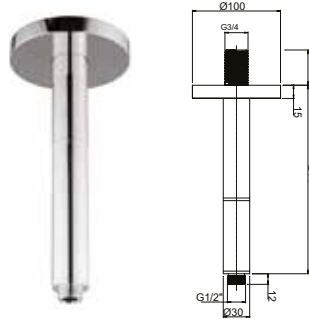


FH684C | SHOWER ARM



Brass plated chrome with wall cover
 Suitable for all Crosswater fixed heads
 Guarantee - 15 years
 WRAS approval number - not required
Also available in polished nickel FH684N

FH685C | SHOWER ARM



Ceiling mounted
 Chrome plated
 Inlet supply - threaded 1/2" male connectors
 Guarantee - 15 years
 WRAS approval number - not required
Also available in polished nickel FH685N

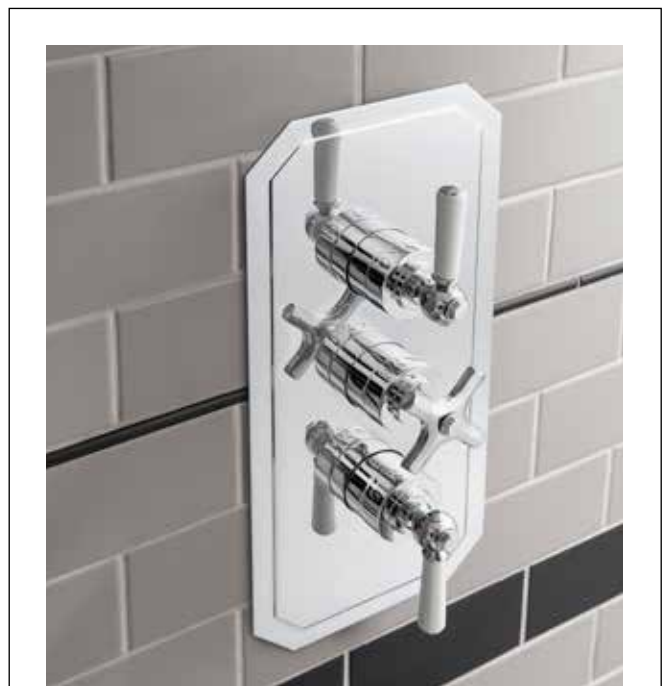
WF964C_C | SHOWER KIT



Wall mounted
 LP - suitable for all plumbing systems
 Single function spray
 1.5m hose
 Chrome plated
Also available with White Ceramic Handle W964C or Black Ceramic Handle W964C_B
 Inlet supply - flexihose 1/2" female connectors
 Guarantee - 15 years

Flow rates	0.5 bar	1.0 bar	2.0 bar	3.0 bar
	7 lpm	10 lpm	14 lpm	17 lpm

Optional 8 lpm shower flow regulator 58.8638.1



COORDINATING SHOWER VALVES

Complement your bath and basin brassware with matching shower valves. Please refer to pages 4:11 - 4:14 for product selection.



WF08C | SHOWER HEAD



Wall or ceiling mounted
 HP1 - suitable for high pressure plumbing systems
 Single function spray
 Chrome plated
 Inlet supply - threaded 1/2" female connectors
 Guarantee - 10 years

Flow rates	0.5 bar	1.0 bar	2.0 bar	3.0 bar
	9 lpm	10 lpm	14 lpm	18 lpm

Optional 8 lpm shower flow regulator 58.86411

WF12C | SHOWER HEAD

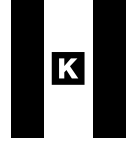


Wall or ceiling mounted
 HP1 - suitable for high pressure plumbing systems
 Single function spray
 Chrome plated
 Inlet supply - threaded 1/2" female connectors
 Guarantee - 10 years

Flow rates	0.5 bar	1.0 bar	2.0 bar	3.0 bar
	13 lpm	20 lpm	30 lpm	38 lpm

Optional 8 lpm shower flow regulator 58.86411





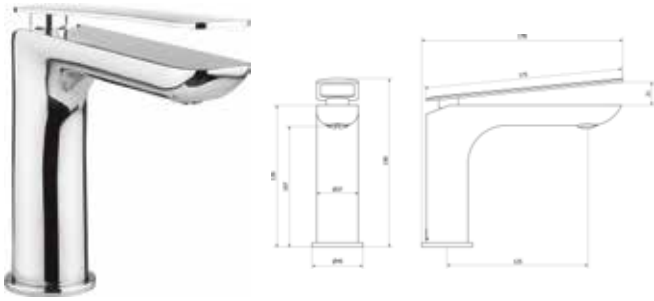
KELLY HOPPEN



THE KH ZERO COLLECTION BY KELLY HOPPEN MBE

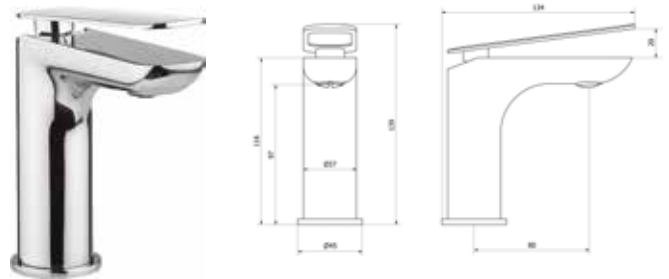
KELLY HOPPEN KH ZERO 2

KH02_110DNC | BASIN MONOBLOC



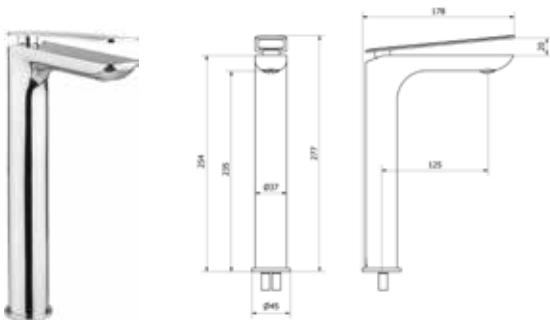
With no pop up waste				
Deck mounted				
HP2 - suitable for high pressure plumbing systems				
Ceramic disc cartridge				
Chrome plated				
Inlet supply - flexi tails with 1/2" female connectors				
Guarantee - 15 years (excluding ceramic disc cartridge, 5 year guarantee)				
WRAS approval number - 1507089				
Flow rates	0.5 bar 3 lpm	1.0 bar 4 lpm	2.0 bar 5 lpm	3.0 bar 6 lpm

KH02_114DNC | BASIN MINI MONOBLOC



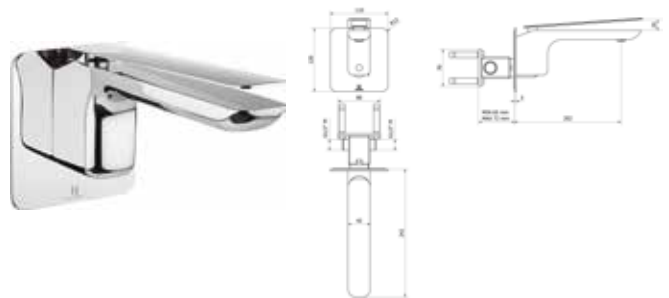
With no pop up waste				
Deck mounted				
HP2 - suitable for high pressure plumbing systems				
Ceramic disc cartridge				
Chrome plated				
Inlet supply - flexi tails with 1/2" female connectors				
Guarantee - 15 years (excluding ceramic disc cartridge, 5 year guarantee)				
Flow rates	0.5 bar 3 lpm	1.0 bar 4 lpm	2.0 bar 5 lpm	3.0 bar 6 lpm

KH02_112DNC | BASIN TALL MONOBLOC

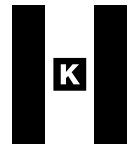


With no pop up waste				
Deck mounted				
HP2 - suitable for high pressure plumbing systems				
Ceramic disc cartridge				
Chrome plated				
Inlet supply - flexi tails with 1/2" female connectors				
Guarantee - 15 years (excluding ceramic disc cartridge, 5 year guarantee)				
WRAS approval number - 1507089				
Flow rates	0.5 bar 3 lpm	1.0 bar 4 lpm	2.0 bar 5 lpm	3.0 bar 6 lpm

KH02_120WNC | BASIN MONOBLOC



With no pop up waste				
Wall mounted				
HP2 - suitable for high pressure plumbing systems				
Ceramic disc cartridge				
Chrome plated				
Inlet supply - flexi tails with 1/2" female connectors				
Guarantee - 15 years (excluding ceramic disc cartridge, 5 year guarantee)				
Flow rates	0.5 bar 3 lpm	1.0 bar 4 lpm	2.0 bar 5 lpm	3.0 bar 6 lpm

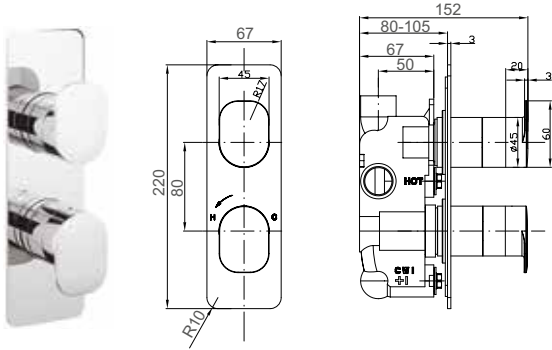


KELLY HOPPEN



KELLY HOPPEN KH ZERO 2

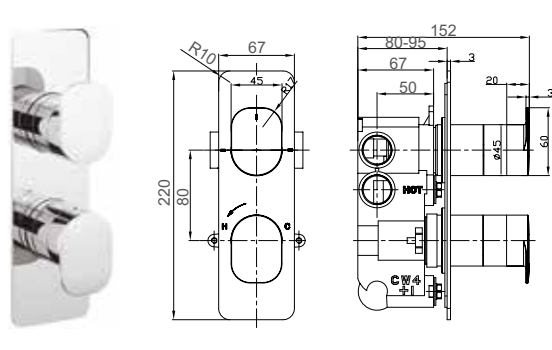
KH02_1000RC | THERMO SHOWER VALVE



Single Outlet				
Wall mounted				
LP - suitable for all plumbing systems				
Thermostatic cartridge CA43-29				
Ceramic disc cartridge				
Chrome plated				
H & C arrow etched with outlet marking				
Inlet supply - threaded 3/4" female connectors				
Guarantee - 15 years (excluding ceramic disc cartridge, 5 year guarantee)				
WRAS approval number - 1112080				
Flow rates	0.5 bar	1.0 bar	2.0 bar	3.0 bar
	13 lpm	15 lpm	21 lpm	25 lpm



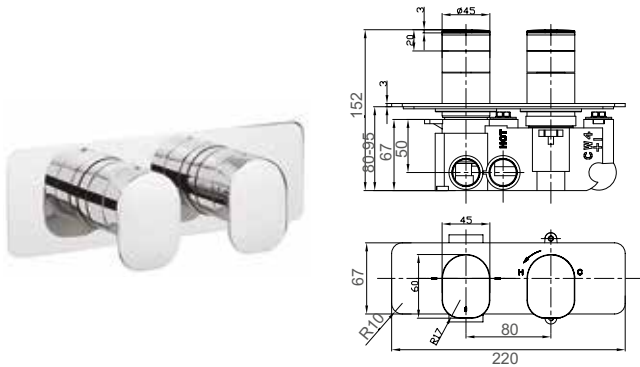
KH02_1500RC | THERMO SHOWER VALVE



Double outlet				
Wall mounted				
HP1 - suitable for high pressure plumbing systems				
Thermostatic cartridge CA43-29				
Ceramic disc cartridge				
Chrome plated				
H & C arrow etched with outlet marking				
Inlet supply - threaded 3/4" female connectors				
Guarantee - 15 years (excluding ceramic disc cartridge, 5 year guarantee)				
WRAS approval number - 1112080				
Flow rates	0.5 bar	1.0 bar	2.0 bar	3.0 bar
	13 lpm	14 lpm	20 lpm	24 lpm



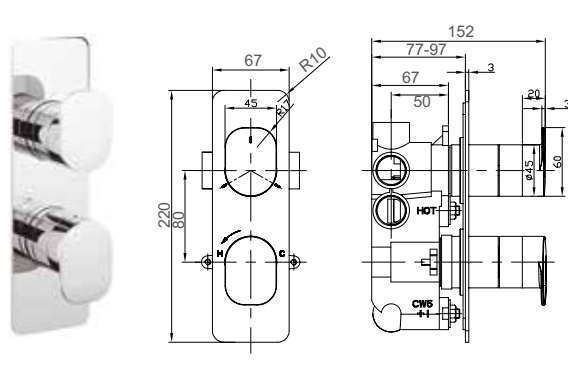
KH02_1501RC | THERMO SHOWER VALVE



Double outlet				
Wall mounted				
HP1 - suitable for high pressure plumbing systems				
Thermostatic cartridge CA43-29				
Ceramic disc cartridge				
Chrome plated				
H & C arrow etched with outlet marking				
Inlet supply - threaded 3/4" female connectors				
Guarantee - 15 years (excluding ceramic disc cartridge, 5 year guarantee)				
WRAS approval number - 1112080				
Flow rates	0.5 bar	1.0 bar	2.0 bar	3.0 bar
	13 lpm	14 lpm	20 lpm	24 lpm

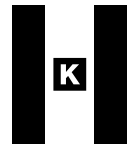


KH02_2500RC | THERMO SHOWER VALVE



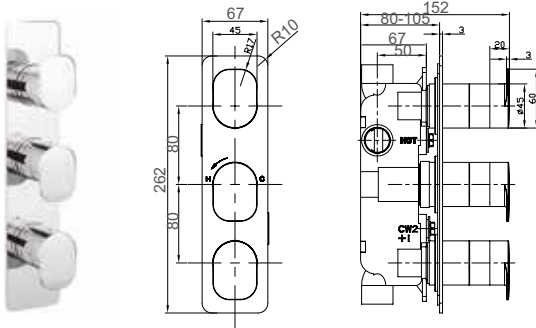
Triple outlet				
Wall mounted				
HP1 - suitable for high pressure plumbing systems				
Thermostatic cartridge CGPRO1000T				
Ceramic disc cartridge CGPRO2500D				
Chrome plated				
H & C arrow etched with outlet marking				
Inlet supply - threaded 3/4" female connectors				
Guarantee - 15 years (excluding ceramic disc cartridge, 5 year guarantee)				
WRAS approval number - Pending				
Flow rates	0.5 bar	1.0 bar	2.0 bar	3.0 bar
	10 lpm	17 lpm	21 lpm	24 lpm





KELLY HOPPEN

KH02_2000RC | THERMO SHOWER VALVE



Double outlet

Wall mounted

HP1 - suitable for high pressure plumbing systems

Thermostatic cartridge CA43-29

Ceramic disc cartridge

Chrome plated

H & C arrow etched with outlet marking

Inlet supply - threaded 3/4" female connectors

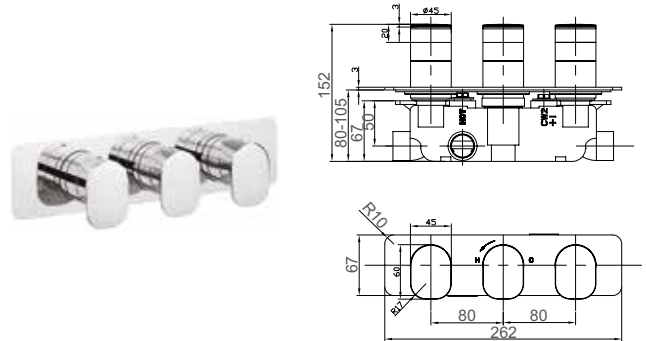
Guarantee - 15 years (excluding ceramic disc cartridge, 5 year guarantee)

WRAS approval number - 1112080

Flow rates	0.5 bar	1.0 bar	2.0 bar	3.0 bar
	13 lpm	14 lpm	20 lpm	24 lpm



KH02_2001RC | THERMO SHOWER VALVE



Double outlet

Wall mounted

HP1 - suitable for high pressure plumbing systems

Thermostatic cartridge

Ceramic disc cartridge

Chrome plated

H & C arrow etched with outlet marking

Inlet supply - threaded 3/4" female connectors

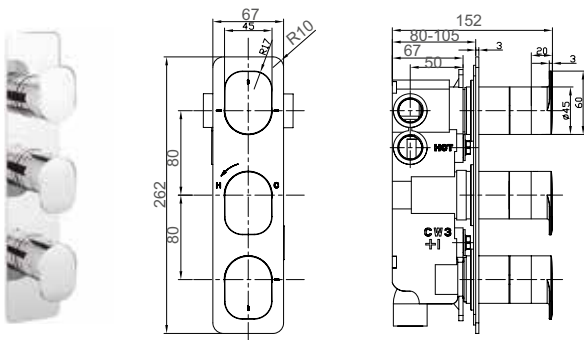
Guarantee - 15 years (excluding ceramic disc cartridge, 5 year guarantee)

WRAS approval number - 1112080

Flow rates	0.5 bar	1.0 bar	2.0 bar	3.0 bar
	13 lpm	14 lpm	20 lpm	24 lpm



KH02_3000RC | THERMO SHOWER VALVE



Triple outlet

Wall mounted

HP1 - suitable for high pressure plumbing systems

Thermostatic cartridge CA43-29

Ceramic disc cartridge

Chrome plated

H & C arrow etched with outlet marking

Inlet supply - threaded 3/4" female connectors

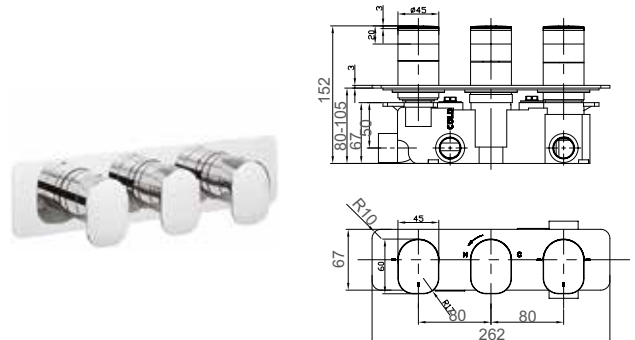
Guarantee - 15 years (excluding ceramic disc cartridge, 5 year guarantee)

WRAS approval number - 1112080

Flow rates	0.5 bar	1.0 bar	2.0 bar	3.0 bar
	14 lpm	15 lpm	22 lpm	27 lpm



KH02_3001RC | THERMO SHOWER VALVE



Triple outlet

Wall mounted

HP1 - suitable for high pressure plumbing systems

Thermostatic cartridge

Ceramic disc cartridge

Chrome plated

H & C arrow etched with outlet marking

Inlet supply - threaded 3/4" female connectors

Guarantee - 15 years (excluding ceramic disc cartridge, 5 year guarantee)

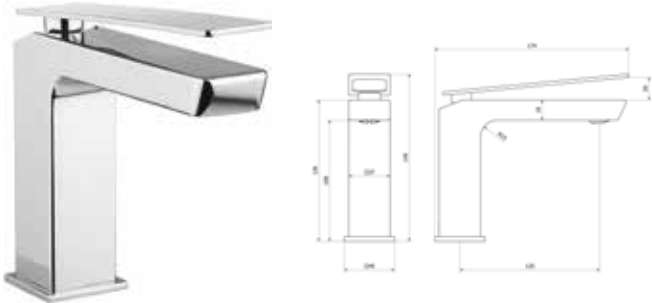
WRAS approval number - 1112080

Flow rates	0.5 bar	1.0 bar	2.0 bar	3.0 bar
	14 lpm	15 lpm	22 lpm	27 lpm



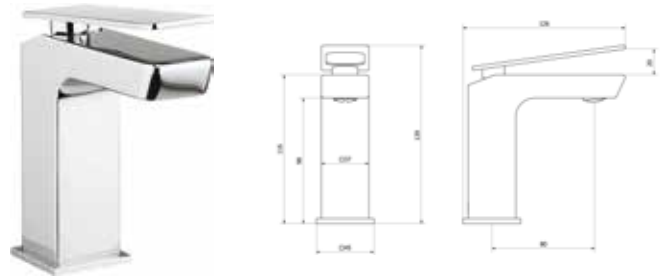
KELLY HOPPEN KH ZERO 3

KH03_110DNC | BASIN MONOBLOC



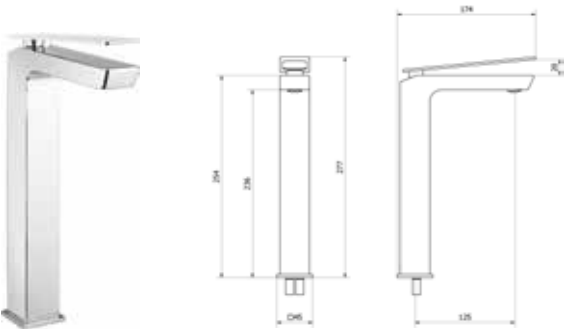
With no pop up waste				
Deck mounted				
HP2 - suitable for high pressure plumbing systems				
Ceramic disc cartridge				
Chrome plated				
Inlet supply - flexi tails with 1/2" female connectors				
Guarantee - 15 years (excluding ceramic disc cartridge, 5 year guarantee)				
WRAS approval number - 1507089				
Flow rates	0.5 bar	1.0 bar	2.0 bar	3.0 bar
	3 lpm	4 lpm	5 lpm	6 lpm

KH03_114DNC | BASIN MINI MONOBLOC



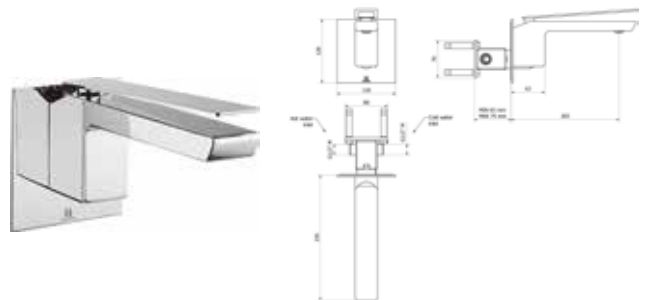
With no pop up waste				
Deck mounted				
HP2 - suitable for high pressure plumbing systems				
Ceramic disc cartridge				
Chrome plated				
Inlet supply - flexi tails with 1/2" female connectors				
Guarantee - 15 years (excluding ceramic disc cartridge, 5 year guarantee)				
Flow rates	0.5 bar	1.0 bar	2.0 bar	3.0 bar
	3 lpm	4 lpm	5 lpm	6 lpm

KH03_112DNC | BASIN TALL MONOBLOC

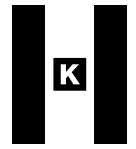


With no pop up waste				
Deck mounted				
HP2 - suitable for high pressure plumbing systems				
Ceramic disc cartridge				
Chrome plated				
Inlet supply - flexi tails with 1/2" female connectors				
Guarantee - 15 years (excluding ceramic disc cartridge, 5 year guarantee)				
WRAS approval number - 1507089				
Flow rates	0.5 bar	1.0 bar	2.0 bar	3.0 bar
	3 lpm	4 lpm	5 lpm	6 lpm

KH03_120WNC | BASIN MONOBLOC



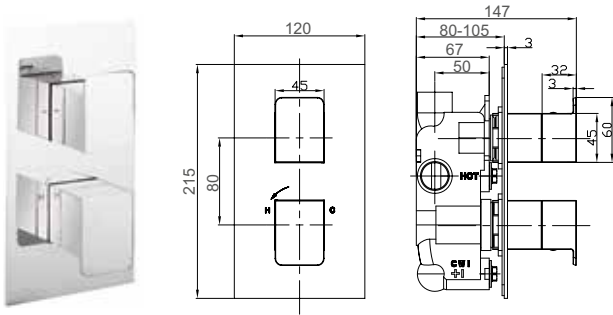
With no pop up waste				
Wall mounted				
HP2 - suitable for high pressure plumbing systems				
Ceramic disc cartridge				
Chrome plated				
Inlet supply - flexi tails with 1/2" female connectors				
Guarantee - 15 years (excluding ceramic disc cartridge, 5 year guarantee)				
Flow rates	0.5 bar	1.0 bar	2.0 bar	3.0 bar
	3 lpm	4 lpm	5 lpm	6 lpm



KELLY HOPPEN



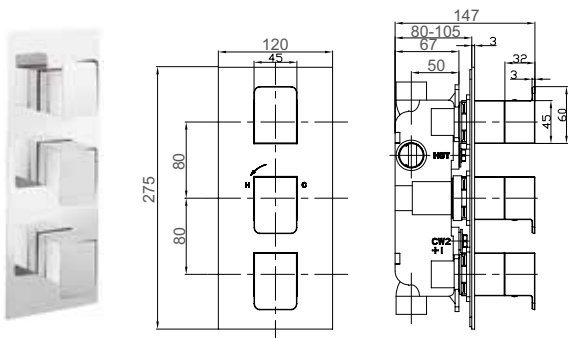
KH03_1000RC | THERMO VALVE



Single Outlet				
Wall mounted				
LP - suitable for all plumbing systems				
Thermostatic cartridge CA43-29				
Ceramic disc cartridge				
Chrome plated				
H & C arrow etched with outlet marking				
Inlet supply - threaded 3/4" female connectors				
Guarantee - 15 years (excluding ceramic disc cartridge, 5 year guarantee)				
WRAS approval number - 1112080				
Flow rates	0.5 bar	1.0 bar	2.0 bar	3.0 bar
	13 lpm	15 lpm	21 lpm	25 lpm



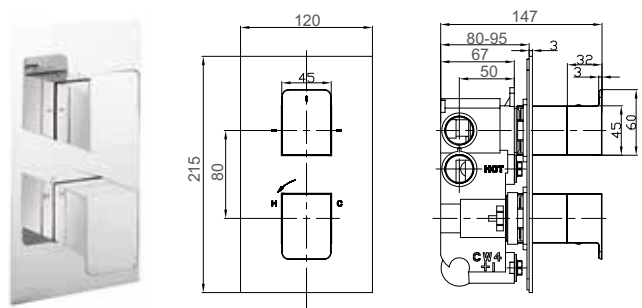
KH03_2000RC | THERMO SHOWER VALVE



Double outlet				
Wall mounted				
HP1 - suitable for high pressure plumbing systems				
Thermostatic cartridge CA43-29				
Ceramic disc cartridge				
Chrome plated				
H & C arrow etched with outlet marking				
Inlet supply - threaded 3/4" female connectors				
Guarantee - 15 years (excluding ceramic disc cartridge, 5 year guarantee)				
WRAS approval number - 1112080				
Flow rates	0.5 bar	1.0 bar	2.0 bar	3.0 bar
	13 lpm	14 lpm	20 lpm	24 lpm



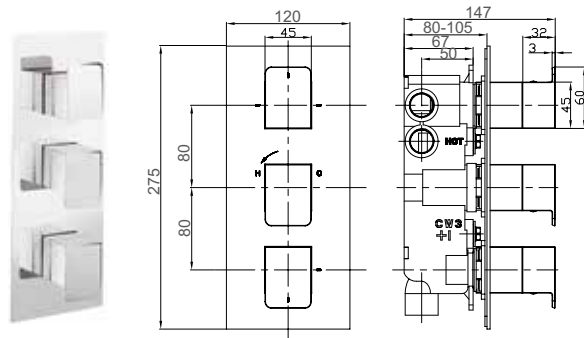
KH03_1500RC | THERMO VALVE



Double outlet				
Wall mounted				
HP1 - suitable for high pressure plumbing systems				
Thermostatic cartridge CA43-29				
Ceramic disc cartridge				
Chrome plated				
H & C arrow etched with outlet marking				
Inlet supply - threaded 3/4" female connectors				
Guarantee - 15 years (excluding ceramic disc cartridge, 5 year guarantee)				
WRAS approval number - 1112080				
Flow rates	0.5 bar	1.0 bar	2.0 bar	3.0 bar
	13 lpm	14 lpm	20 lpm	24 lpm

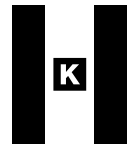


KH03_3000RC | THERMO SHOWER VALVE



Triple outlet				
Wall mounted				
HP1 - suitable for high pressure plumbing systems				
Thermostatic cartridge CA43-29				
Ceramic disc cartridge				
Chrome plated				
H & C arrow etched with outlet marking				
Inlet supply - threaded 3/4" female connectors				
Guarantee - 15 years (excluding ceramic disc cartridge, 5 year guarantee)				
WRAS approval number - 1112080				
Flow rates	0.5 bar	1.0 bar	2.0 bar	3.0 bar
	14 lpm	15 lpm	22 lpm	27 lpm

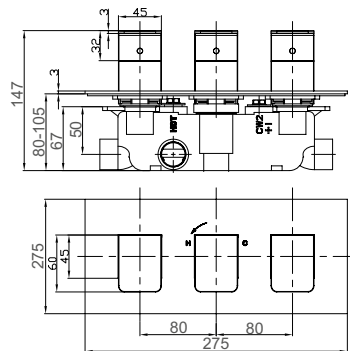




KELLY HOPPEN



KH03_2001RC | THERMO SHOWER VALVE



Double outlet

Wall mounted

HP1 - suitable for high pressure plumbing systems

Thermostatic cartridge

Ceramic disc cartridge

Chrome plated

H & C arrow etched with outlet marking

Inlet supply - threaded 3/4" female connectors

Guarantee - 15 years (excluding ceramic disc cartridge, 5 year guarantee)

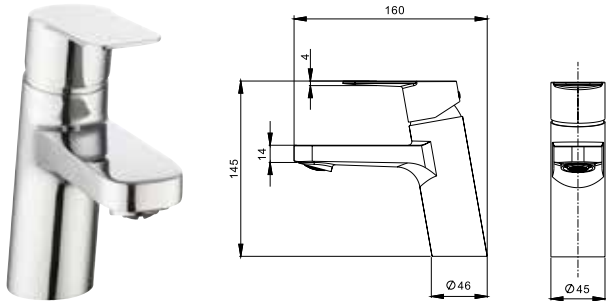
WRAS approval number - 1112080

Flow rates	0.5 bar	1.0 bar	2.0 bar	3.0 bar
	13 lpm	14 lpm	20 lpm	24 lpm



KELLY HOPPEN KH ZERO 6

KH06_110DNC | BASIN MONOBLOC



With no pop up waste

Deck mounted

MP - suitable for plumbing systems from 0.5 bar

Ceramic disc cartridge

Chrome plated

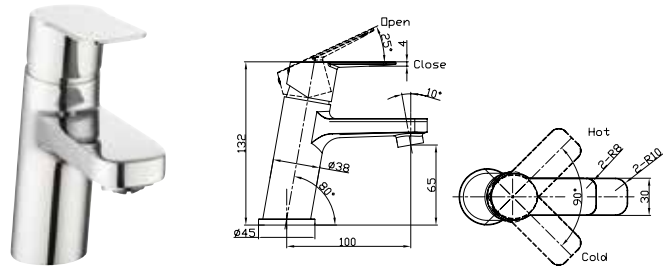
Inlet supply - flexi tails with 1/2" female connectors

Guarantee - 15 years (excluding ceramic disc cartridge, 5 year guarantee)

KIWA approval number - 1408703

Flow rates	0.5 bar	1.0 bar	2.0 bar	3.0 bar
	4 lpm	5.7 lpm	8 lpm	9.2 lpm

KH06_114DNC | BASIN MONOBLOC



With no pop up waste

Deck mounted

MP - suitable for plumbing systems from 0.5 bar

Ceramic disc cartridge

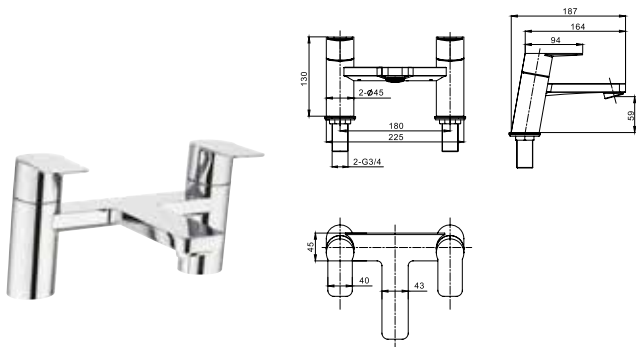
Chrome plated

Inlet supply - flexi tails with 1/2" female connectors

Guarantee - 15 years (excluding ceramic disc cartridge, 5 year guarantee)

WRAS approval number - 1507023

KH06_322DC | BATH FILLER



Deck mounted

MP - suitable for plumbing systems from 0.5 bar

Ceramic disc cartridge

Chrome plated

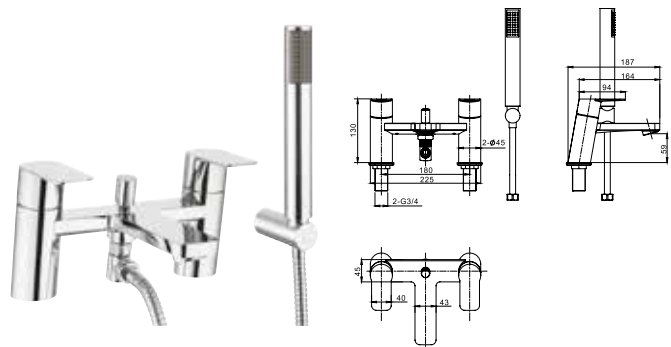
Inlet supply - threaded 3/4" female connectors

Guarantee - 15 years (excluding ceramic disc cartridge, 5 year guarantee)

KIWA approval number - 1408704

Flow rates	0.5 bar	1.0 bar	2.0 bar	3.0 bar
	17 lpm	25 lpm	36 lpm	44 lpm

KH06_422DC | BATH SHOWER MIXER



With single mode shower kit

Deck mounted

MP - suitable for plumbing systems from 0.5 bar

Ceramic disc cartridge

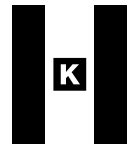
Chrome plated

Inlet supply - threaded 3/4" female connectors

Guarantee - 15 years (excluding ceramic disc cartridge, 5 year guarantee)

WRAS approval number - 1411317

Flow rates	0.5 bar	1.0 bar	2.0 bar	3.0 bar
	13 lpm	20 lpm	29 lpm	36 lpm



KELLY HOPPEN





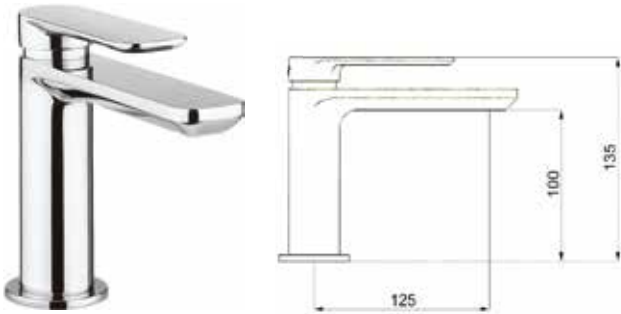
TAPS



AN OUTSTANDING RANGE OF BRASSWARE

CROSSWATER PIER TAPS

PI110DNC | PIER BASIN MONOBLOC



Without pop up waste

LP - suitable for all plumbing systems

Ceramic disc cartridge

Chrome plated

Inlet supply - flexi tails with 1/2" female connectors

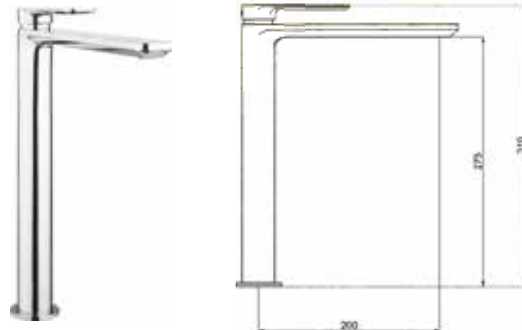
Guarantee - 15 years (excluding ceramic disc cartridge, 5 year guarantee)

WRAS approval number - 1511002

Flow rates	0.2 bar	0.5 bar	1.0 bar	3.0 bar
	3.0 lpm	4.8 lpm	7.0 lpm	12.2 lpm

Flow regulators available

PI112DNC | PIER BASIN TALL MONOBLOC



Without pop up waste

LP - suitable for all plumbing systems

Ceramic disc cartridge

Chrome plated

Inlet supply - flexi tails with 1/2" female connectors

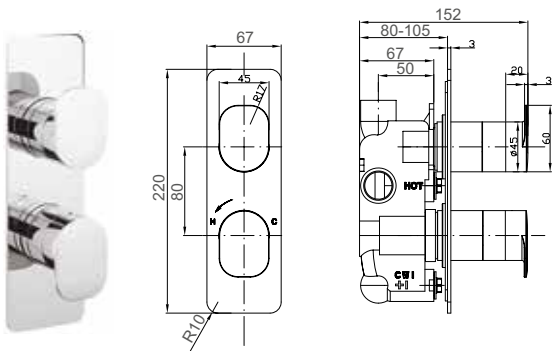
Guarantee - 15 years (excluding ceramic disc cartridge, 5 year guarantee)

WRAS approval number - 1511002

Flow rates	0.2 bar	0.5 bar	1.0 bar	3.0 bar
	3.0 lpm	4.8 lpm	7.0 lpm	12.2 lpm

Flow regulators available

KH02_1000RC | THERMO SHOWER VALVE



Single Outlet

Wall mounted

LP - suitable for all plumbing systems

Thermostatic cartridge CA43-29

Ceramic disc cartridge

Chrome plated

H & C arrow etched with outlet marking

Inlet supply - threaded 3/4" female connectors

Guarantee - 15 years (excluding ceramic disc cartridge, 5 year guarantee)

WRAS approval number - 1112080

Flow rates	0.5 bar	1.0 bar	2.0 bar	3.0 bar
	13 lpm	15 lpm	21 lpm	25 lpm



MORE FROM THE PIER RANGE



White finish basin monobloc

Wall mounted basin option

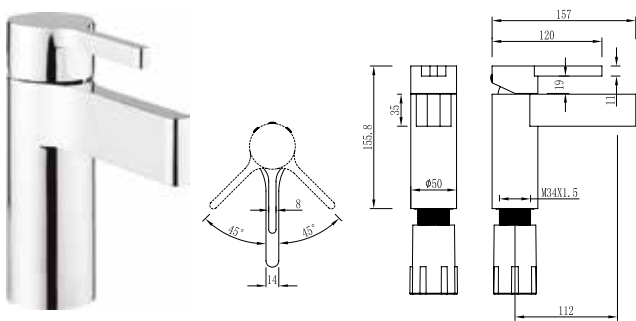
Please see the Crosswater brochure for further information





CROSSWATER SVELTE TAPS

SE110DNC | SVELTE BASIN MONOBLOC



Without pop up waste

HP1 - suitable for high pressure plumbing systems

Ceramic disc cartridge

Chrome plated

Inlet supply - flexi tails with 1/2" female connectors

Guarantee - 15 years (excluding ceramic disc cartridge, 5 year guarantee)

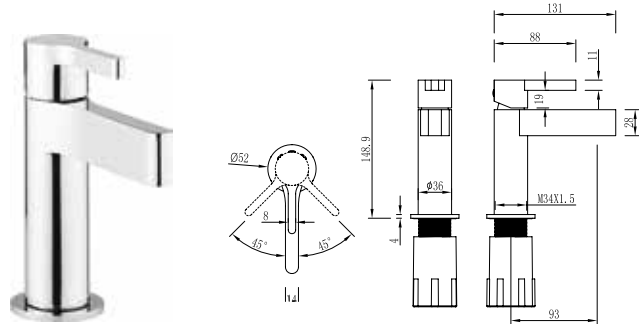
WRAS approval number - Pending

Flow rates	0.2 bar	0.5 bar	1.0 bar	3.0 bar
	216 lpm	3.61 lpm	4.85 lpm	4.51 lpm

3.5 & 5.0 litre flow regulators available

Tall version also available SE112DNC

SE114DNC | SVELTE BASIN MINI MONOBLOC



Without pop up waste

MP - suitable for plumbing systems from 0.5 bar

Ceramic disc cartridge

Chrome plated

Inlet supply - flexi tails with 1/2" female connectors

Guarantee - 15 years (excluding ceramic disc cartridge, 5 year guarantee)

WRAS approval number - Pending

Flow rates	0.2 bar	0.5 bar	1.0 bar	3.0 bar
	1.65 lpm	3.10 lpm	3.76 lpm	5.16 lpm

3.5 & 5.0 litre flow regulators available

SE1701RC | SVELTE THERMOSTATIC SHOWER VALVE WITH HANDSET



Double outlet

Wall mounted

HP1 - suitable for high pressure plumbing systems

Thermostatic cartridge

Ceramic disc cartridge

Chrome plated

No etchings

Inlet supply - threaded 3/4" female connectors

Guarantee - 15 years (excluding ceramic disc cartridge, 5 year guarantee)

WRAS approval number - Pending

Flow rates	0.5 bar	1.0 bar	2.0 bar	3.0 bar
	13 lpm	14 lpm	20 lpm	24 lpm

MORE FROM THE SVELTE RANGE



Deck and wall mounted basin options

Thermostatic shower valves

Wall mounted bath options

Please see the Crosswater brochure for further information





CROSSWATER TAPS





AC110DNC | ACUTE



KH01_110DNC | KH ZERO 1

WATER SAVING

We are all under pressure to save water in order to help the environment and reduce climate change. Part G of the governments' building regulations now requires all new domestic buildings to meet a maximum water consumption of 125 litres per person each day.

You can help to reduce the water consumption of your household by easily inserting a flow regulator into your basin tap or shower hose. This will allow you to control the amount of water your taps use.

5 lpm basin tap flow regulator

designed for taps with screw in circular aerator housing
35.6184.0

3.5 lpm basin tap flow regulator

designed for taps with screw in circular aerator housing
35.6182.0

8 lpm shower flow regulator

designed for hand showers or fixed heads operating min 1 bar
58.8638.1

6 lpm shower flow regulator

designed for hand showers or fixed heads operating min 1 bar
58.8636.1

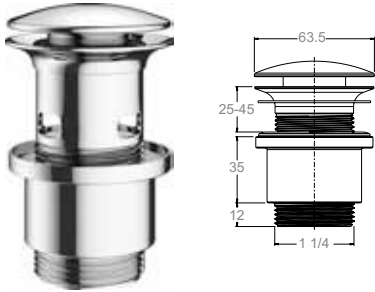
Basin aerator 5.7lpm

40.8356.01002



CROSSWATER TRAPS & WASTES

PRO0103C | BASIN WASTE



Basin mounted

Slotted basin click clack waste

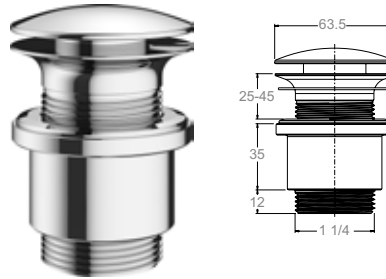
Chrome plated

Inlet supply - threaded 1 1/4" male connectors

Guarantee - 15 years

WRAS approval number - 1507302

PRO0101C | BASIN WASTE



Basin mounted

Slotted basin click clack waste

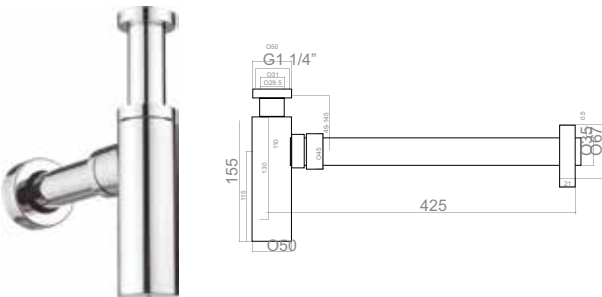
Chrome plated

Inlet supply - threaded 1 1/4" male connectors

Guarantee - 15 years

WRAS approval number - Pending

BTR0402C | ROUND BOTTLE TRAP



Basin mounted

Brushed stainless steel effect plated

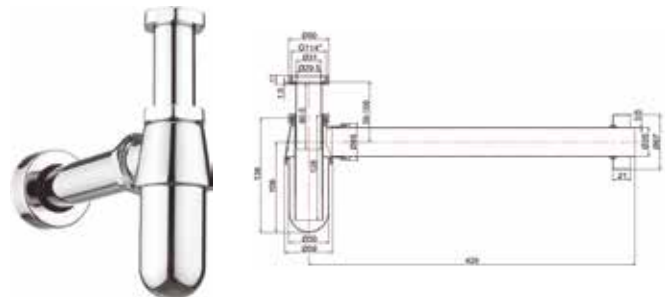
Inlet supply - threaded 1 1/4" male connectors

Guarantee - 15 years

WRAS approval number - not applicable

75mm water seal

BTR0403C | STANDARD BOTTLE TRAP



Basin mounted

Brushed stainless steel effect plated

Also available in polished nickel BTR0403N

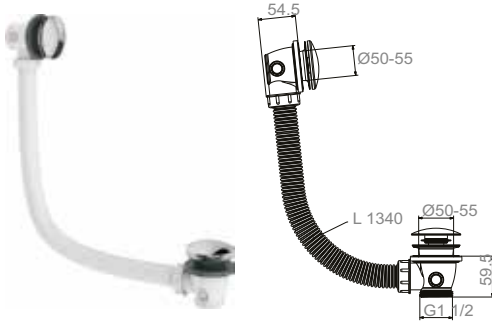
Inlet supply - threaded 1 1/4" male connectors

Guarantee - 15 years

WRAS approval number - not applicable

75mm water seal

PRO0202C | BATH WASTE



With click clack waste

Extended 1340mm

Bath mounted

Chrome plated

Inlet supply - flexi tails with 1 1/2" male connectors

Guarantee - 15 years

WRAS approval number - Pending

BTW0242C | BATH WASTE



With pop up (twist) waste

Extended 1340mm

Bath mounted

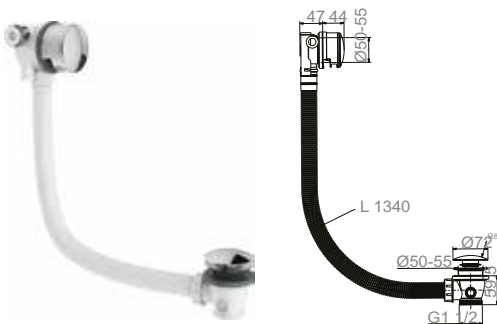
Chrome plated

Inlet supply - flexi tails with 1 1/2" male connectors

Guarantee - 15 years

WRAS approval number - N/A

PRO0351C | BATH FILLER



With click clack waste

Extended 1340mm

Bath mounted

MP - suitable for plumbing systems from 0.5 bar

Chrome plated

Inlet supply - flexi tails with 1 1/2" male connectors

Guarantee - 15 years

WRAS approval number - 1407317

Flow rates	(depending on supplying valve)			
	0.5 bar	1.0 bar	2.0 bar	3.0 bar
	15 lpm	20 lpm	28 lpm	35 lpm





SHOWERING



AN OUTSTANDING RANGE OF SHOWER VALVES & KITS



New from Crosswater, Dial is the latest in push button shower technology which enables you to precisely control the flow of the water as well as the temperature. This innovation not only looks smart with 4 designs, it's smart on the inside using pioneering flow control technology.

Available in both single and double outlet options, Dial is a step forward in on/off and water flow control technology with the touch of a button. This allows for total control over your bathing and showering experience.

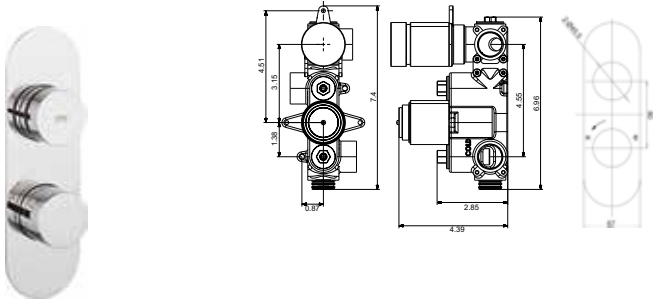
Advantages of DIAL valves

- 11 separate flow positions, which offers the perfect flexibility between eco friendly showering and a luxurious high pressure power shower
- Intuitively designed with a simple push button function for all of the family to easily operate
- Responsive controls for instant shut off preventing residual water
- Thermostatic valve technology for precise temperature control
- Clear symbols to easily identify functions
- 4 stylish designs to choose from
- Suitable for bath and showering environments
- Single or double outlet options, as well as a bath filler option with an integrated handset (shown left)
- Double outlet options can be used with individual or both outlets active at the same time



CROSSWATER DIAL - CENTRAL SHOWER VALVES

DIAL-CENT-1 | DIAL VALVE 1 CONTROL WITH CENTRAL TRIM



Concealed Wall Mounted

MP - suitable for all plumbing systems from 0.5 bar

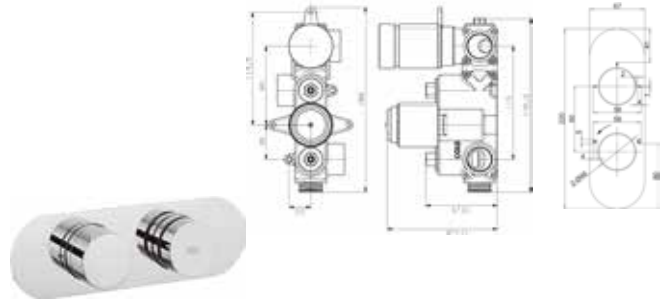
Vernet Thermostatic & Push Button Cartridges

Solid Brass, Chrome

Inlet supply - 3/4" NPT female connectors

WRAS approval number - 1512006

DIAL-CENT-2 | DIAL VALVE 1 CONTROL WITH CENTRAL TRIM



Concealed Wall Mounted

MP - suitable for all plumbing systems from 0.5 bar

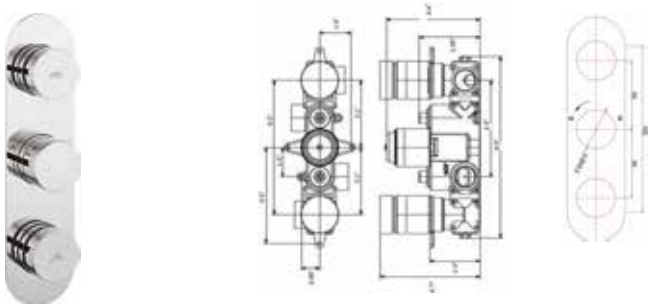
Vernet Thermostatic & Push Button Cartridges

Solid Brass, Chrome

Inlet supply - 3/4" NPT female connectors

WRAS approval number - 1512006

DIAL-CENT-3 | DIAL VALVE 2 CONTROL WITH CENTRAL TRIM



Concealed Wall Mounted

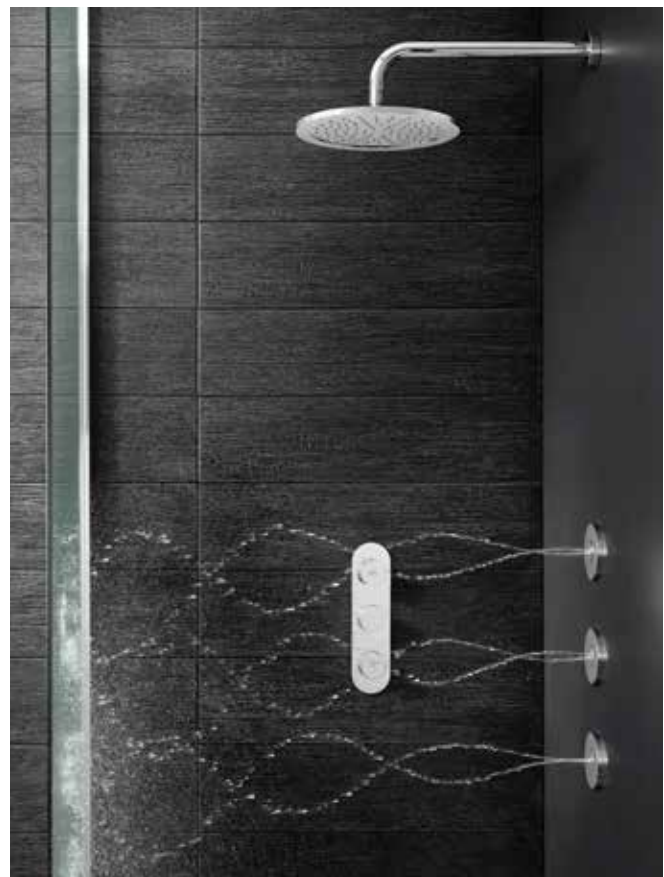
HP1 - suitable for high pressure plumbing systems

Vernet Thermostatic & Push Button Cartridges

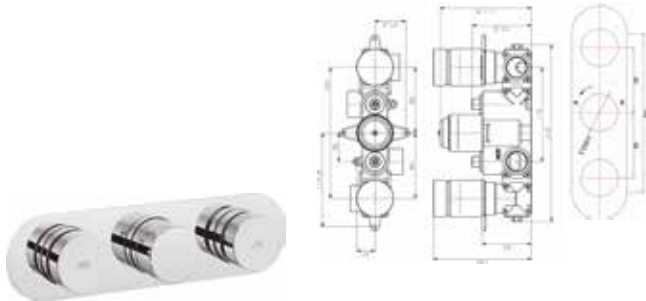
Solid Brass, Chrome

Inlet supply - 3/4" NPT female connectors

WRAS approval number - 1512006



DIAL-CENT-4 | DIAL VALVE 2 CONTROL WITH CENTRAL TRIM



Concealed Wall Mounted

HP1 - suitable for high pressure plumbing systems

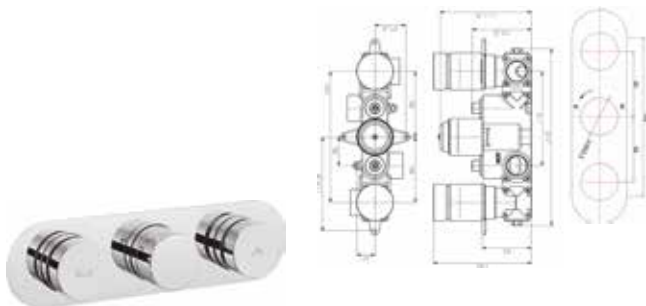
Vernet Thermostatic & Push Button Cartridges

Solid Brass, Chrome

Inlet supply - 3/4" NPT female connectors

WRAS approval number - 1512006

DIAL-CENT-5 | DIAL BATH VALVE 2 CONTROL WITH CENTRAL TRIM



Concealed Wall Mounted

HP1 - suitable for high pressure plumbing systems

Vernet Thermostatic & Push Button Cartridges

Solid Brass, Chrome

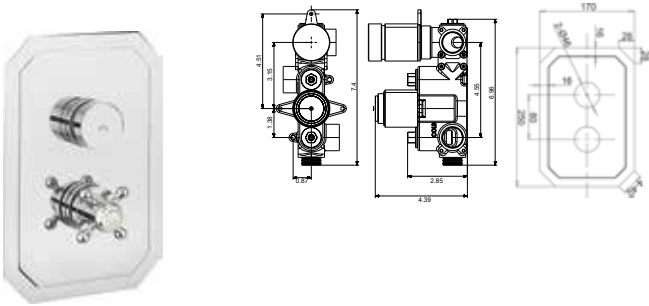
Inlet supply - 3/4" NPT female connectors

WRAS approval number - 1512006



CROSSWATER DIAL - BELGRAVIA SHOWER VALVES

DIAL-BEL-1 | DIAL VALVE 1 CONTROL WITH BELGRAVIA TRIM



Concealed Wall Mounted

MP - suitable for all plumbing systems from 0.5 bar

Vernet Thermostatic & Push Button Cartridges

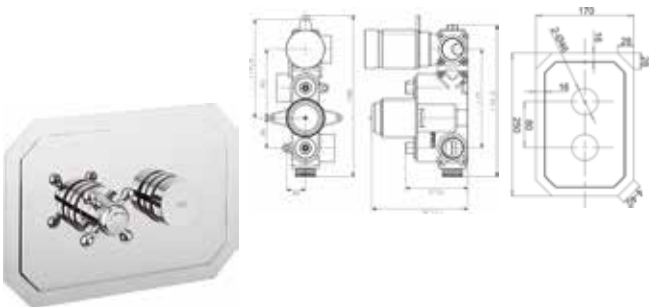
Solid Brass, Chrome

Inlet supply - 3/4" NPT female connectors

WRAS approval number - 1512006



DIAL-BEL-2 | DIAL VALVE 1 CONTROL WITH BELGRAVIA TRIM



Concealed Wall Mounted

MP - suitable for all plumbing systems from 0.5 bar

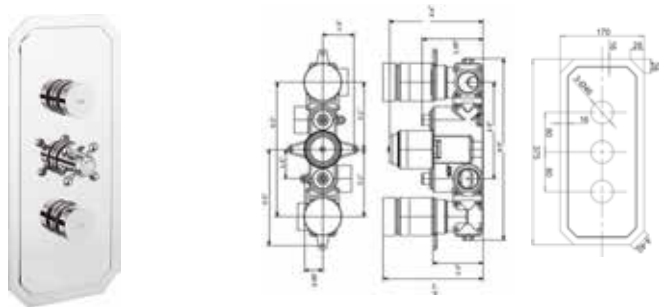
Vernet Thermostatic & Push Button Cartridges

Solid Brass, Chrome

Inlet supply - 3/4" NPT female connectors

WRAS approval number - 1512006

DIAL-BEL-3 | DIAL VALVE 2 CONTROL WITH BELGRAVIA TRIM



Concealed Wall Mounted

HPI - suitable for high pressure plumbing systems

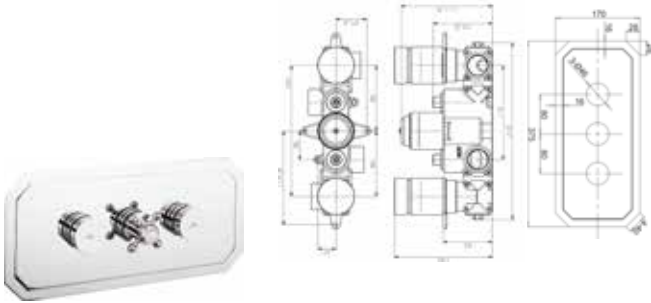
Vernet Thermostatic & Push Button Cartridges

Solid Brass, Chrome

Inlet supply - 3/4" NPT female connectors

WRAS approval number - 1512006

DIAL-BEL-4 | DIAL VALVE 2 CONTROL WITH BELGRAVIA TRIM



Concealed Wall Mounted

HP1 - suitable for high pressure plumbing systems

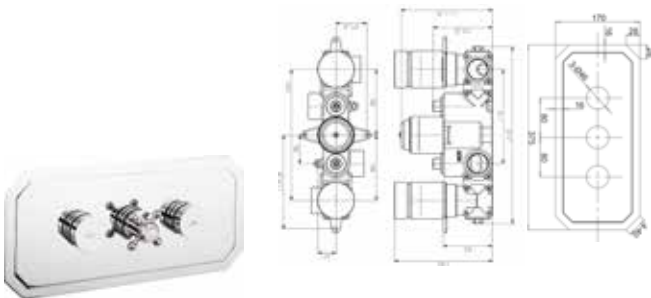
Vernet Thermostatic & Push Button Cartridges

Solid Brass, Chrome

Inlet supply - 3/4" NPT female connectors

WRAS approval number - 1512006

DIAL-BEL-5 | Dial bath valve 2 control with Belgravia trim



Concealed Wall Mounted

HP1 - suitable for high pressure plumbing systems

Vernet Thermostatic & Push Button Cartridges

Solid Brass, Chrome

Inlet supply - 3/4" NPT female connectors

WRAS approval number - 1512006



CROSSWATER DIAL - KAI LEVER SHOWER VALVES

DIAL-KAI-1 | DIAL VALVE 1 CONTROL WITH KAI LEVER TRIM



Concealed Wall Mounted

MP - suitable for all plumbing systems from 0.5 bar

Vernet Thermostatic & Push Button Cartridges

Solid Brass, Chrome

Inlet supply - 3/4" NPT female connectors

WRAS approval number - 1512006

DIAL-KAI-15 | DIAL VALVE 1 CONTROL WITH KAI LEVER TRIM



Concealed Wall Mounted

MP - suitable for all plumbing systems from 0.5 bar

Vernet Thermostatic & Push Button Cartridges

Solid Brass, Chrome

Inlet supply - 3/4" NPT female connectors

WRAS approval number - 1512006

DIAL-KAI-2 | DIAL VALVE 1 CONTROL WITH KAI LEVER TRIM



Concealed Wall Mounted

MP - suitable for all plumbing systems from 0.5 bar

Vernet Thermostatic & Push Button Cartridges

Solid Brass, Chrome

Inlet supply - 3/4" NPT female connectors

WRAS approval number - 1512006

DIAL-KAI-3 | DIAL VALVE 2 CONTROL WITH KAI LEVER TRIM



Concealed Wall Mounted

HP1 - suitable for high pressure plumbing systems

Vernet Thermostatic & Push Button Cartridges

Solid Brass, Chrome

Inlet supply - 3/4" NPT female connectors

WRAS approval number - 1512006

DIAL-KAI-4 | DIAL VALVE 2 CONTROL WITH KAI LEVER TRIM



Concealed Wall Mounted

HP1 - suitable for high pressure plumbing systems

Vernet Thermostatic & Push Button Cartridges

Solid Brass, Chrome

Inlet supply - 3/4" NPT female connectors

WRAS approval number - 1512006

DIAL-KAI-5 | DIAL BATH VALVE 2 CONTROL WITH KAI LEVER TRIM



Concealed Wall Mounted

HP1 - suitable for high pressure plumbing systems

Vernet Thermostatic & Push Button Cartridges

Solid Brass, Chrome

Inlet supply - 3/4" NPT female connectors

WRAS approval number - 1512006



CROSSWATER DIAL - PIER SHOWER VALVES

DIAL-PIER-1 | DIAL VALVE 1 CONTROL WITH PIER TRIM



Concealed Wall Mounted

MP - suitable for all plumbing systems from 0.5 bar

Vernet Thermostatic & Push Button Cartridges

Solid Brass, Chrome

Inlet supply - 3/4" NPT female connectors

WRAS approval number - 1512006



DIAL-PIER-2 | DIAL VALVE 1 CONTROL WITH PIER TRIM



Concealed Wall Mounted

MP - suitable for all plumbing systems from 0.5 bar

Vernet Thermostatic & Push Button Cartridges

Solid Brass, Chrome

Inlet supply - 3/4" NPT female connectors

WRAS approval number - 1512006

DIAL-PIER-3 | DIAL VALVE 2 CONTROL WITH PIER TRIM



Concealed Wall Mounted

HP1 - suitable for high pressure plumbing systems

Vernet Thermostatic & Push Button Cartridges

Solid Brass, Chrome

Inlet supply - 3/4" NPT female connectors

WRAS approval number - 1512006



DIAL-PIER-4 | DIAL VALVE 2 CONTROL WITH PIER TRIM

DIAL-PIER-5 | DIAL BATH VALVE 2 CONTROL WITH PIER TRIM



Concealed Wall Mounted

HP1 - suitable for high pressure plumbing systems

Vernet Thermostatic & Push Button Cartridges

Solid Brass, Chrome

Inlet supply - 3/4" NPT female connectors

WRAS approval number - 1512006

Concealed Wall Mounted

HP1 - suitable for high pressure plumbing systems

Vernet Thermostatic & Push Button Cartridges

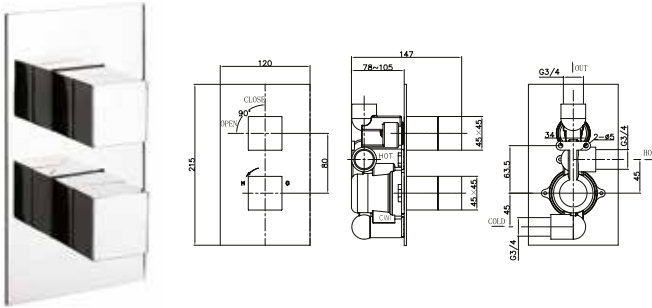
Solid Brass, Chrome

Inlet supply - 3/4" NPT female connectors

WRAS approval number - 1512006

CROSSWATER WATER SQUARE SHOWER VALVES

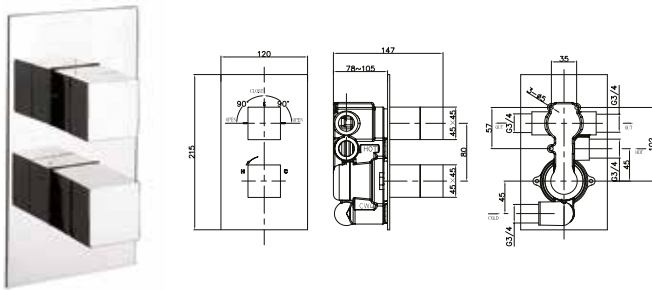
WS1000RC | WATER SQUARE THERMOSTATIC SHOWER VALVE



Single Outlet				
Wall mounted				
LP - suitable for all plumbing systems				
Thermostatic cartridge CGPRO1000T				
Ceramic disc cartridge CGPRO1000H				
Chrome plated				
Fixed head etched				
Inlet supply - threaded 3/4" female connectors				
Guarantee - 15 years (excluding ceramic disc cartridge, 5 year guarantee)				
WRAS approval number - 1112080				
Flow rates	0.5 bar	1.0 bar	2.0 bar	3.0 bar
	13 lpm	15 lpm	21 lpm	25 lpm



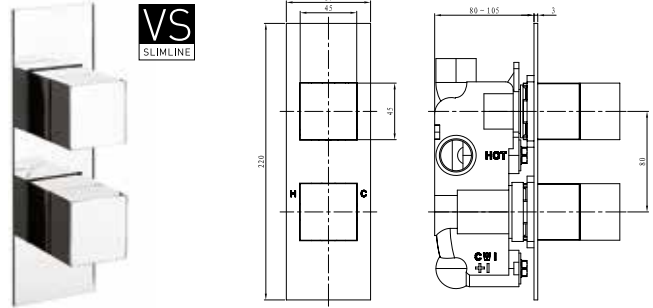
WS1500RC | WATER SQUARE THERMOSTATIC SHOWER VALVE WITH 2 WAY DIVERTER



Double outlet				
Wall mounted				
HP1 - suitable for high pressure plumbing systems				
Thermostatic cartridge CGPRO1000T				
Ceramic disc cartridge CGPRO1500D				
Chrome plated				
Bath & hand shower etched				
Inlet supply - threaded 3/4" female connectors				
Guarantee - 15 years (excluding ceramic disc cartridge, 5 year guarantee)				
WRAS approval number - 1112080				
Flow rates	0.5 bar	1.0 bar	2.0 bar	3.0 bar
	13 lpm	14 lpm	20 lpm	24 lpm



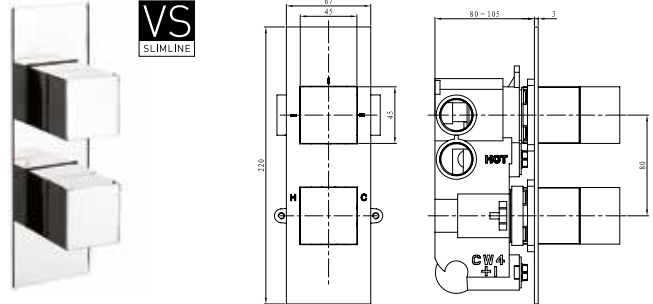
WS1000RC-VS | WATER SQUARE THERMOSTATIC SHOWER VALVE



Single Outlet				
Wall mounted				
LP - suitable for all plumbing systems				
Thermostatic cartridge CGPRO1000T				
Ceramic disc cartridge CGPRO1000H				
Chrome plated				
Fixed head etched				
Inlet supply - threaded 3/4" female connectors				
Guarantee - 15 years (excluding ceramic disc cartridge, 5 year guarantee)				
WRAS approval number - 1112080				
Flow rates	0.5 bar	1.0 bar	2.0 bar	3.0 bar
	13 lpm	15 lpm	21 lpm	25 lpm



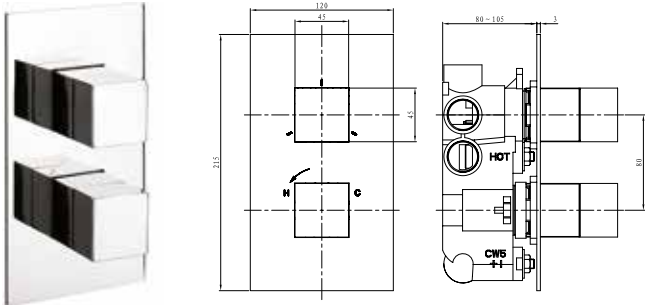
WS1500RC-VS | WATER SQUARE THERMOSTATIC SHOWER VALVE WITH 2 WAY DIVERTER



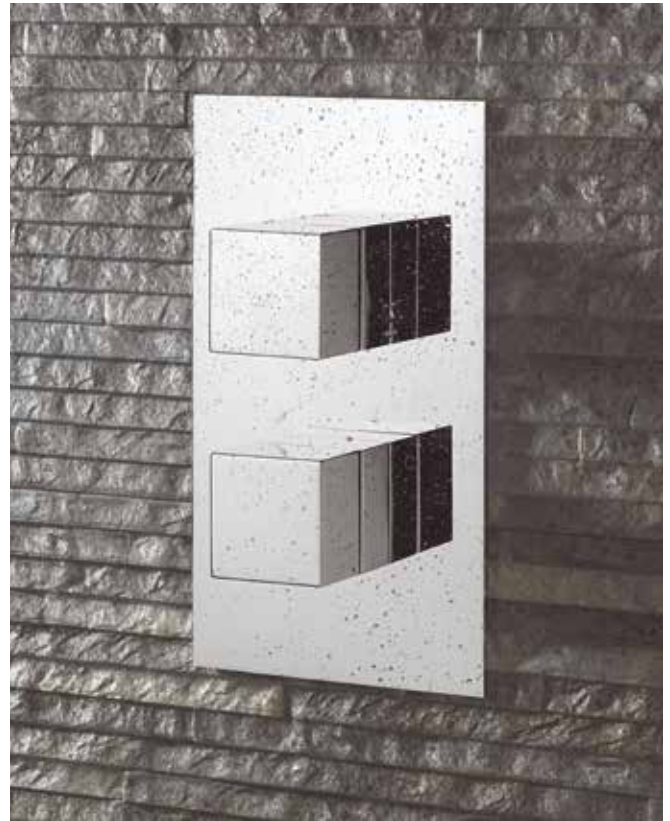
Double outlet				
Wall mounted				
HP1 - suitable for high pressure plumbing systems				
Thermostatic cartridge CGPRO1000T				
Ceramic disc cartridge CGPRO1500D				
Chrome plated				
Bath & hand shower etched				
Inlet supply - threaded 3/4" female connectors				
Guarantee - 15 years (excluding ceramic disc cartridge, 5 year guarantee)				
WRAS approval number - 1112080				
Flow rates	0.5 bar	1.0 bar	2.0 bar	3.0 bar
	13 lpm	14 lpm	20 lpm	24 lpm



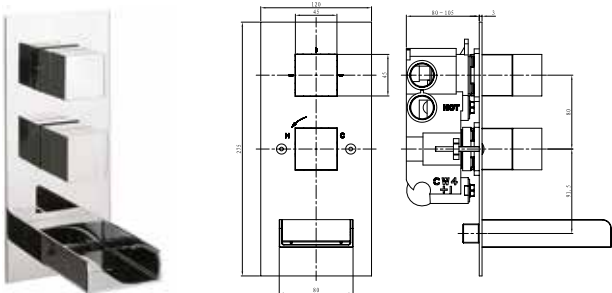
WS2500RC | THERMOSTATIC SHOWER VALVE WITH 3 WAY DIVERTER



- Triple outlet
 - Wall mounted
 - HP1 - suitable for high pressure plumbing systems
 - Thermostatic cartridge CGPRO1000T
 - Ceramic disc cartridge CGPRO2500D
 - Chrome plated
 - Fixed head, bath & hand shower etched
 - Inlet supply - threaded 3/4" female connectors
 - Guarantee - 15 years (excluding ceramic disc cartridge, 5 year guarantee)
 - WRAS approval number - 1404306
- | | | | | |
|------------|---------|---------|---------|---------|
| Flow rates | 0.5 bar | 1.0 bar | 2.0 bar | 3.0 bar |
| | 10 lpm | 17 lpm | 21 lpm | 24 lpm |



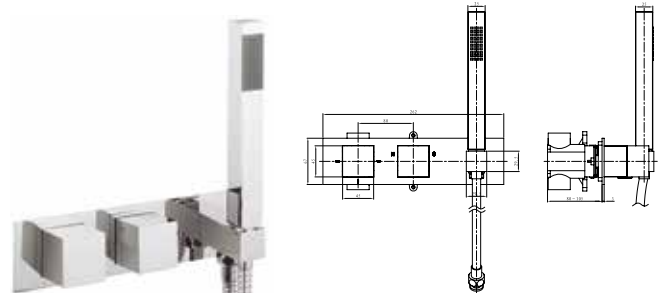
WS1600RC | WATER SQUARE THERMOSTATIC SHOWER VALVE WITH BATH SPOUT AND DIVERTER FOR SHOWER OPTION



- Double outlet
 - Wall mounted
 - HP1 - suitable for high pressure plumbing systems
 - Thermostatic cartridge
 - Ceramic disc cartridge
 - Chrome plated
 - H & C arrow etched with outlet marking
 - Inlet supply - threaded 3/4" female connectors
 - Guarantee - 15 years (excluding ceramic disc cartridge, 5 year guarantee)
 - WRAS approval number - 1112080
- | | | | | |
|------------|---------|---------|---------|---------|
| Flow rates | 0.5 bar | 1.0 bar | 2.0 bar | 3.0 bar |
| | 13 lpm | 14 lpm | 20 lpm | 24 lpm |



WS1701RC | WATER SQUARE THERMOSTATIC SHOWER VALVE WITH HANDSET

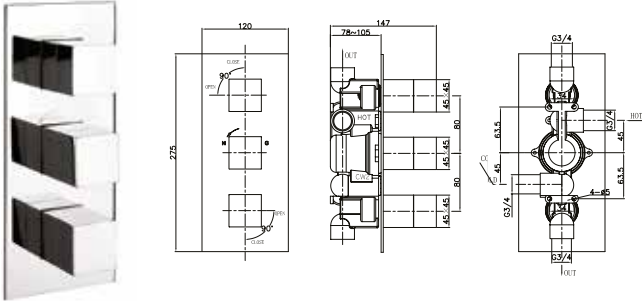


- Double outlet
 - Wall mounted
 - HP1 - suitable for high pressure plumbing systems
 - Thermostatic cartridge CGPRO1000T
 - Ceramic disc cartridge CGPRO1500D
 - Chrome plated
 - No etchings
 - Inlet supply - threaded 3/4" female connectors
 - Guarantee - 15 years (excluding ceramic disc cartridge, 5 year guarantee)
 - WRAS approval number - Pending
- | | | | | |
|------------|---------|---------|---------|---------|
| Flow rates | 0.5 bar | 1.0 bar | 2.0 bar | 3.0 bar |
| | 13 lpm | 14 lpm | 20 lpm | 24 lpm |



CROSSWATER WATER SQUARE SHOWER VALVES

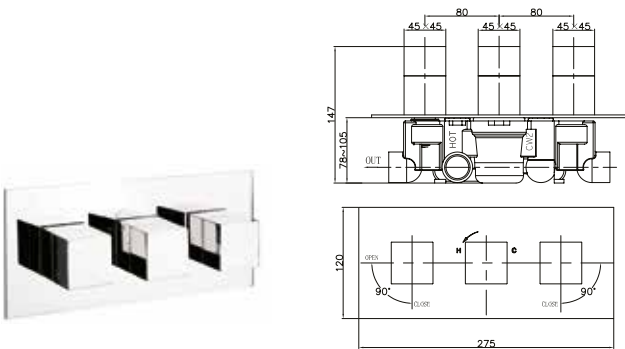
WS2000RC | WATER SQUARE THERMOSTATIC SHOWER VALVE 3 CONTROL



Double outlet				
Wall mounted				
LP - suitable for all plumbing systems				
Thermostatic cartridge CGPRO1000T				
Ceramic disc cartridge CGPRO2000C				
Chrome plated				
Fixed head & hand shower etched				
Inlet supply - threaded 3/4" female connectors				
Guarantee - 15 years (excluding ceramic disc cartridge, 5 year guarantee)				
WRAS approval number - 1112080				
Flow rates	0.5 bar	1.0 bar	2.0 bar	3.0 bar
	14 lpm	15 lpm	22 lpm	27 lpm



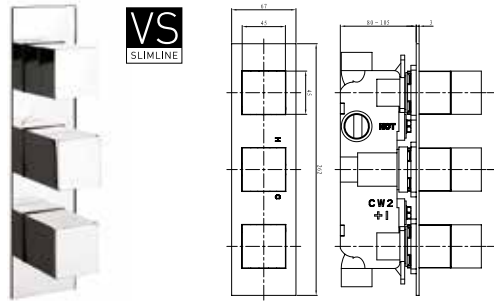
WS2001RC | WATER SQUARE THERMOSTATIC SHOWER VALVE 3 CONTROL



Double outlet				
Wall mounted				
LP - suitable for all plumbing systems				
Thermostatic cartridge CGPRO1000T				
Ceramic disc cartridge CGPRO2000C CGPRO1000H				
Chrome plated				
Fixed head & hand shower etched				
Inlet supply - threaded 3/4" female connectors				
Guarantee - 15 years (excluding ceramic disc cartridge, 5 year guarantee)				
WRAS approval number - 1112080				
Flow rates	0.5 bar	1.0 bar	2.0 bar	3.0 bar
	14 lpm	15 lpm	22 lpm	27 lpm



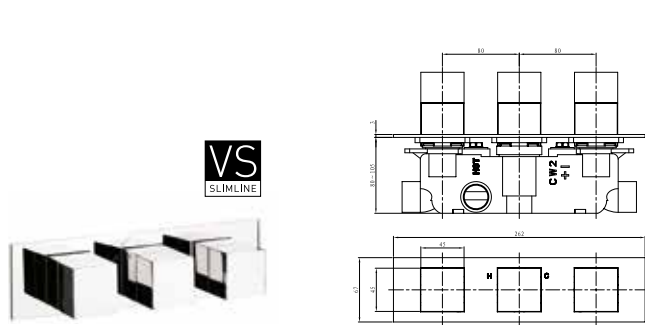
WS2000RC-VS | WATER SQUARE THERMOSTATIC SHOWER VALVE 3 CONTROL



Double outlet				
Wall mounted				
LP - suitable for all plumbing systems				
Thermostatic cartridge CGPRO1000T				
Ceramic disc cartridge CGPRO2000C				
Chrome plated				
Fixed head & hand shower etched				
Inlet supply - threaded 3/4" female connectors				
Guarantee - 15 years (excluding ceramic disc cartridge, 5 year guarantee)				
WRAS approval number - 1112080				
Flow rates	0.5 bar	1.0 bar	2.0 bar	3.0 bar
	14 lpm	15 lpm	22 lpm	27 lpm



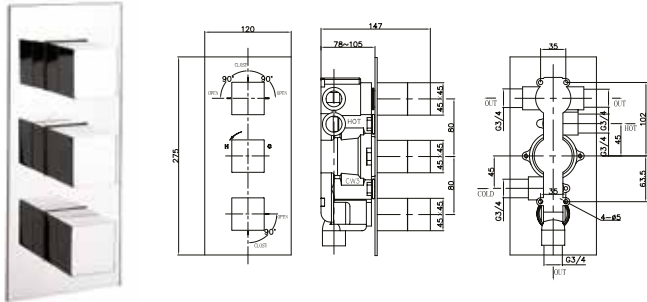
WS2001RC-VS | WATER SQUARE THERMOSTATIC SHOWER VALVE 3 CONTROL



Double outlet				
Wall mounted				
LP - suitable for all plumbing systems				
Thermostatic cartridge CGPRO1000T				
Ceramic disc cartridge CGPRO2000C CGPRO1000H				
Chrome plated				
Fixed head & hand shower etched				
Inlet supply - threaded 3/4" female connectors				
Guarantee - 15 years (excluding ceramic disc cartridge, 5 year guarantee)				
WRAS approval number - 1112080				
Flow rates	0.5 bar	1.0 bar	2.0 bar	3.0 bar
	14 lpm	15 lpm	22 lpm	27 lpm



WS3000RC | WATER SQUARE THERMOSTATIC SHOWER VALVE WITH 3 WAY DIVERTER

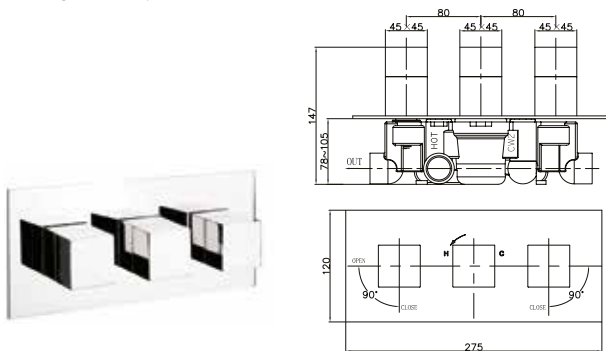


Triple outlet
 Wall mounted
 HP1 - suitable for high pressure plumbing systems
 Thermostatic cartridge CGPRO1000T
 Ceramic disc cartridge CGPRO1500D | CGPRO2000C
 Chrome plated
 Fixed head, bath & hand shower etched
 Inlet supply - threaded 3/4" female connectors
 Guarantee - 15 years (excluding ceramic disc cartridge, 5 year guarantee)
 WRAS approval number - 1112080

Flow rates	0.5 bar	1.0 bar	2.0 bar	3.0 bar
	14 lpm	15 lpm	22 lpm	27 lpm



WS3001RC | WATER SQUARE THERMOSTATIC SHOWER VALVE WITH 3 WAY DIVERTER

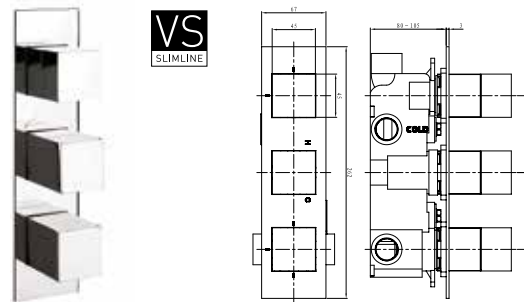


Triple outlet
 Wall mounted
 HP1 - suitable for high pressure plumbing systems
 Thermostatic cartridge CGPRO1000T
 Ceramic disc cartridge CGPRO1500D | CGPRO2000C
 Chrome plated
 Fixed head, bath & hand shower etched
 Inlet supply - threaded 3/4" female connectors
 Guarantee - 15 years (excluding ceramic disc cartridge, 5 year guarantee)
 WRAS approval number - 1112080

Flow rates	0.5 bar	1.0 bar	2.0 bar	3.0 bar
	14 lpm	15 lpm	22 lpm	27 lpm



WS3000RC-VS | WATER SQUARE THERMOSTATIC SHOWER VALVE WITH 3 WAY DIVERTER

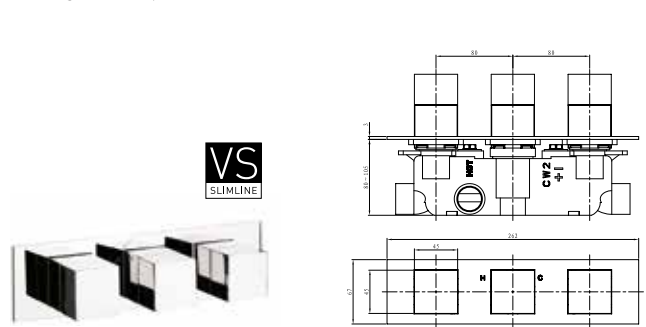


Triple outlet
 Wall mounted
 HP1 - suitable for high pressure plumbing systems
 Thermostatic cartridge CGPRO1000T
 Ceramic disc cartridge CGPRO1500D | CGPRO2000C
 Chrome plated
 Fixed head, bath & hand shower etched
 Inlet supply - threaded 3/4" female connectors
 Guarantee - 15 years (excluding ceramic disc cartridge, 5 year guarantee)
 WRAS approval number - 1112080

Flow rates	0.5 bar	1.0 bar	2.0 bar	3.0 bar
	14 lpm	15 lpm	22 lpm	27 lpm



WS3001RC-VS | WATER SQUARE THERMOSTATIC SHOWER VALVE WITH 3 WAY DIVERTER



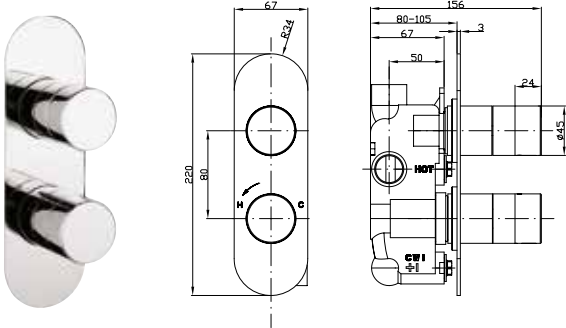
Triple outlet
 Wall mounted
 HP1 - suitable for high pressure plumbing systems
 Thermostatic cartridge CGPRO1000T
 Ceramic disc cartridge CGPRO1500D | CGPRO2000C
 Chrome plated
 Fixed head, bath & hand shower etched
 Inlet supply - threaded 3/4" female connectors
 Guarantee - 15 years (excluding ceramic disc cartridge, 5 year guarantee)
 WRAS approval number - 1112080

Flow rates	0.5 bar	1.0 bar	2.0 bar	3.0 bar
	14 lpm	15 lpm	22 lpm	27 lpm



CROSSWATER CENTRAL SHOWER VALVES

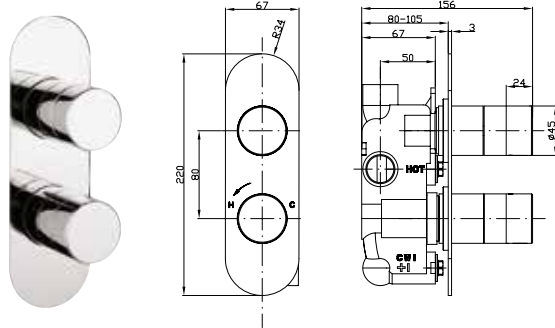
CE1000RC+ | CENTRAL THERMOSTATIC SHOWER VALVE



Single Outlet				
Wall mounted				
LP - suitable for all plumbing systems				
Thermostatic cartridge CGPRO1000T				
Ceramic disc cartridge CGPRO1000H				
Chrome plated				
Fixed head etched				
Inlet supply - threaded 3/4" female connectors				
Guarantee - 15 years (excluding ceramic disc cartridge, 5 year guarantee)				
WRAS approval number - 1112080				
Flow rates	0.5 bar	1.0 bar	2.0 bar	3.0 bar
	13 lpm	15 lpm	21 lpm	25 lpm



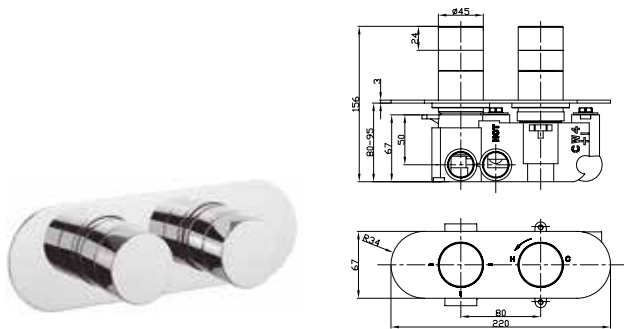
CE1500RC+ | CENTRAL THERMOSTATIC SHOWER VALVE WITH 2 WAY DIVERTER



Double outlet				
Wall mounted				
HP1 - suitable for high pressure plumbing systems				
Thermostatic cartridge CGPRO1000T				
Ceramic disc cartridge CGPRO1500D				
Chrome plated				
Bath & hand shower etched				
Inlet supply - threaded 3/4" female connectors				
Guarantee - 15 years (excluding ceramic disc cartridge, 5 year guarantee)				
WRAS approval number - 1112080				
Flow rates	0.5 bar	1.0 bar	2.0 bar	3.0 bar
	13 lpm	14 lpm	20 lpm	24 lpm



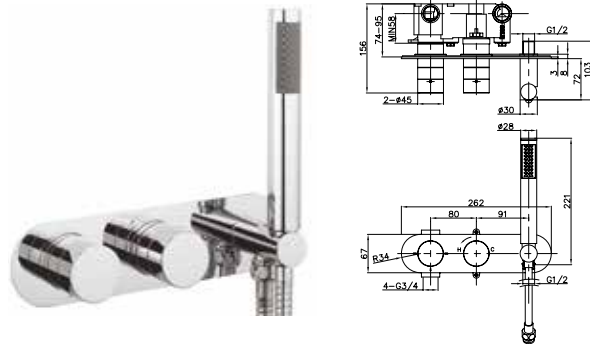
CE1501RC | CENTRAL THERMOSTATIC SHOWER VALVE WITH 2 WAY DIVERTER



Double outlet				
Wall mounted				
HP1 - suitable for high pressure plumbing systems				
Thermostatic cartridge				
Ceramic disc cartridge				
Chrome plated				
H & C arrow etched with outlet marking				
Inlet supply - threaded 3/4" female connectors				
Guarantee - 15 years (excluding ceramic disc cartridge, 5 year guarantee)				
WRAS approval number - 1112080				
Flow rates	0.5 bar	1.0 bar	2.0 bar	3.0 bar
	13 lpm	14 lpm	20 lpm	24 lpm



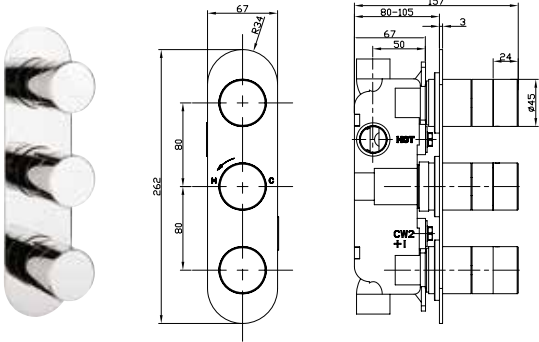
CE1701RC | CENTRAL THERMOSTATIC SHOWER VALVE WITH HANDSET



Double outlet				
Wall mounted				
HP1 - suitable for high pressure plumbing systems				
Thermostatic cartridge CGPRO1000T				
Ceramic disc cartridge CGPRO1500D				
Chrome plated				
No etchings				
Inlet supply - threaded 3/4" female connectors				
Guarantee - 15 years (excluding ceramic disc cartridge, 5 year guarantee)				
WRAS approval number - Pending				
Flow rates	0.5 bar	1.0 bar	2.0 bar	3.0 bar
	13 lpm	14 lpm	20 lpm	24 lpm



**CE2000RC+ | CENTRAL THERMOSTATIC SHOWER VALVE
3 CONTROL**

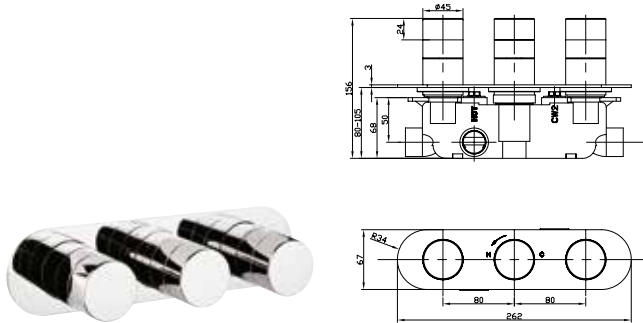


Double outlet
 Wall mounted
 LP - suitable for all plumbing systems
 Thermostatic cartridge CGPRO1000T
 Ceramic disc cartridge CGPRO2000C
 Chrome plated
 Fixed head & hand shower etched
 Inlet supply - threaded 3/4" female connectors
 Guarantee - 15 years (excluding ceramic disc cartridge, 5 year guarantee)
 WRAS approval number - 1112080

Flow rates	0.5 bar	1.0 bar	2.0 bar	3.0 bar
	14 lpm	15 lpm	22 lpm	27 lpm



**CE2001RC+ | CENTRAL THERMOSTATIC SHOWER VALVE
3 CONTROL**

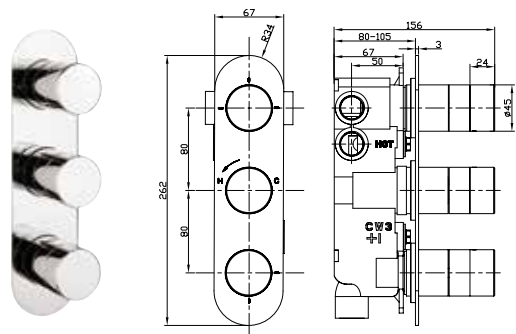


Double outlet
 Wall mounted
 LP - suitable for all plumbing systems
 Thermostatic cartridge CGPRO1000T
 Ceramic disc cartridge CGPRO2000C | CGPRO1000H
 Chrome plated
 Fixed head & hand shower etched
 Inlet supply - threaded 3/4" female connectors
 Guarantee - 15 years (excluding ceramic disc cartridge, 5 year guarantee)
 WRAS approval number - 1112080

Flow rates	0.5 bar	1.0 bar	2.0 bar	3.0 bar
	14 lpm	15 lpm	22 lpm	27 lpm



**CE3000RC+ | CENTRAL THERMOSTATIC SHOWER VALVE
WITH 3 WAY DIVERTER**

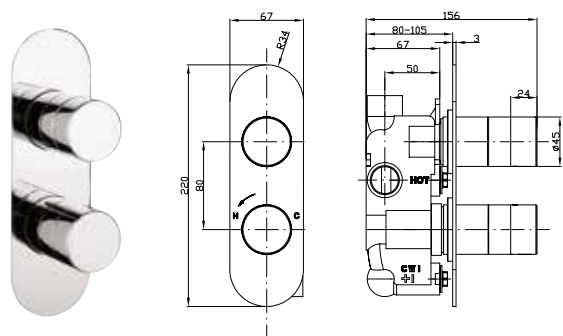


Triple outlet
 Wall mounted
 HP1 - suitable for high pressure plumbing systems
 Thermostatic cartridge CGPRO1000T
 Ceramic disc cartridge CGPRO1500D | CGPRO2000C
 Chrome plated
 Fixed head, bath & hand shower etched
 Inlet supply - threaded 3/4" female connectors
 Guarantee - 15 years (excluding ceramic disc cartridge, 5 year guarantee)
 WRAS approval number - 1112080

Flow rates	0.5 bar	1.0 bar	2.0 bar	3.0 bar
	14 lpm	15 lpm	22 lpm	27 lpm



**CE2500RC | CENTRAL THERMOSTATIC SHOWER VALVE
WITH 3 WAY DIVERTER**



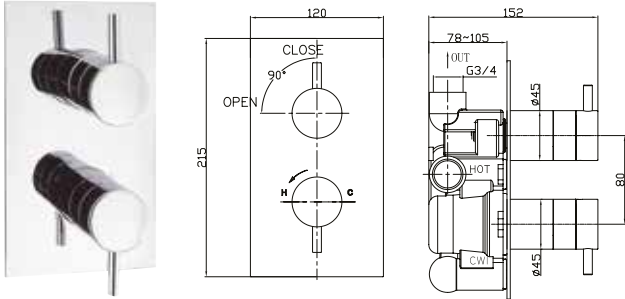
Triple outlet
 Wall mounted
 HP1 - suitable for high pressure plumbing systems
 Thermostatic cartridge CGPRO1000T
 Ceramic disc cartridge CGPRO2500D
 Chrome plated
 Fixed head, bath & hand shower etched
 Inlet supply - threaded 3/4" female connectors
 Guarantee - 15 years (excluding ceramic disc cartridge, 5 year guarantee)
 WRAS approval number - 1404306

Flow rates	0.5 bar	1.0 bar	2.0 bar	3.0 bar
	10 lpm	17 lpm	21 lpm	24 lpm



CROSSWATER KAI LEVER SHOWER VALVES

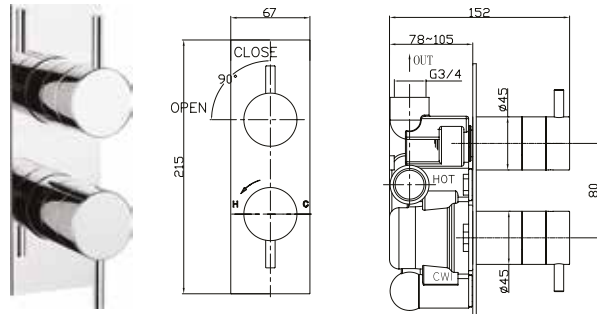
KL1000RC | KAI LEVER THERMOSTATIC SHOWER VALVE



Single Outlet				
Wall mounted				
LP - suitable for all plumbing systems				
Thermostatic cartridge CGPRO1000T				
Ceramic disc cartridge CGPRO1000H				
Chrome plated				
Fixed head etched				
Inlet supply - threaded 3/4" female connectors				
Guarantee - 15 years (excluding ceramic disc cartridge, 5 year guarantee)				
WRAS approval number - 1112080				
Flow rates	0.5 bar	1.0 bar	2.0 bar	3.0 bar
	13 lpm	15 lpm	21 lpm	25 lpm



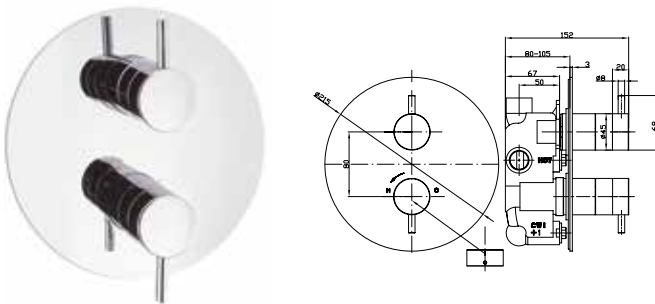
KL1000RC-VS | KAI LEVER THERMOSTATIC SHOWER VALVE



Single outlet				
Wall mounted				
LP - suitable for all plumbing systems				
Thermostatic cartridge				
Ceramic disc cartridge				
Chrome plated				
H & C arrow etched with outlet marking				
Inlet supply - threaded 3/4" female connectors				
Guarantee - 15 years (excluding ceramic disc cartridge, 5 year guarantee)				
WRAS approval number - 1112080				
Flow rates	0.5 bar	1.0 bar	2.0 bar	3.0 bar
	13 lpm	15 lpm	21 lpm	25 lpm



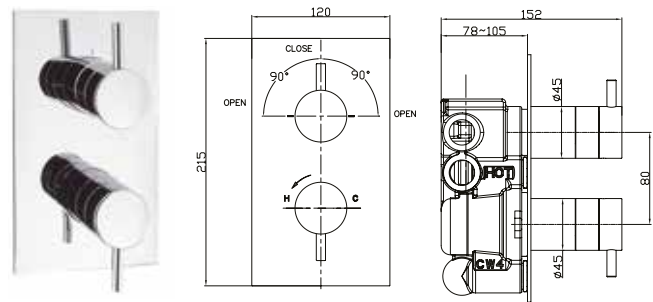
KLR1000RC | KAI LEVER THERMOSTATIC SHOWER VALVE



Single Outlet				
Wall mounted				
LP - suitable for all plumbing systems				
Thermostatic cartridge CGPRO1000T				
Ceramic disc cartridge CGPRO1000H				
Chrome plated				
Fixed head etched				
Inlet supply - threaded 3/4" female connectors				
Guarantee - 15 years (excluding ceramic disc cartridge, 5 year guarantee)				
WRAS approval number - 1112080				
Flow rates	0.5 bar	1.0 bar	2.0 bar	3.0 bar
	13 lpm	15 lpm	21 lpm	25 lpm



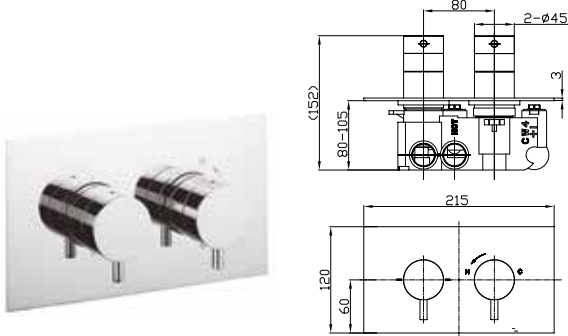
KL1500RC | KAI LEVER THERMOSTATIC SHOWER VALVE WITH 2 WAY DIVERTER



Double outlet				
Wall mounted				
HPI - suitable for high pressure plumbing systems				
Thermostatic cartridge CGPRO1000T				
Ceramic disc cartridge CGPRO1500D				
Chrome plated				
Bath & hand shower etched				
Inlet supply - threaded 3/4" female connectors				
Guarantee - 15 years (excluding ceramic disc cartridge, 5 year guarantee)				
WRAS approval number - 1112080				
Flow rates	0.5 bar	1.0 bar	2.0 bar	3.0 bar
	13 lpm	14 lpm	20 lpm	24 lpm



KL1501RC | KAI LEVER THERMOSTATIC SHOWER VALVE WITH 2 WAY DIVERTER

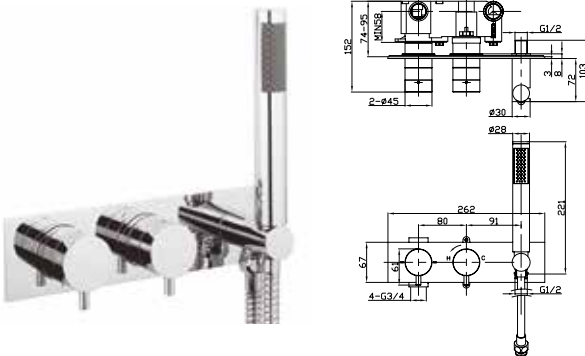


- Double outlet
- Wall mounted
- HP1 - suitable for high pressure plumbing systems
- Thermostatic cartridge
- Ceramic disc cartridge
- Chrome plated
- H & C arrow etched with outlet marking
- Inlet supply - threaded 3/4" female connectors
- Guarantee - 15 years (excluding ceramic disc cartridge, 5 year guarantee)
- WRAS approval number - 1112080

Flow rates	0.5 bar	1.0 bar	2.0 bar	3.0 bar
	13 lpm	14 lpm	20 lpm	24 lpm



KL1701RC | KAI LEVER THERMOSTATIC SHOWER VALVE WITH HANDSET

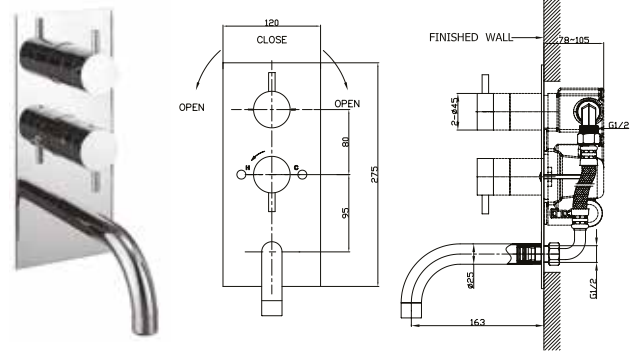


- Double outlet
- Wall mounted
- HP1 - suitable for high pressure plumbing systems
- Thermostatic cartridge CGPRO1000T
- Ceramic disc cartridge CGPRO1500D
- Chrome plated
- No etchings
- Inlet supply - threaded 3/4" female connectors
- Guarantee - 15 years (excluding ceramic disc cartridge, 5 year guarantee)
- WRAS approval number - Pending

Flow rates	0.5 bar	1.0 bar	2.0 bar	3.0 bar
	13 lpm	14 lpm	20 lpm	24 lpm



KL1600RC | KAI LEVER THERMOSTATIC SHOWER VALVE WITH BATH SPOUT AND DIVERTER FOR SHOWER OPTION

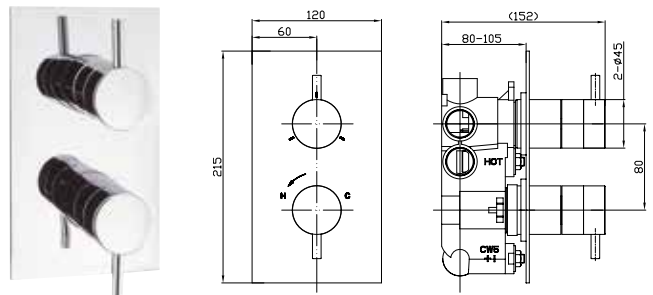


- Double outlet
- Wall mounted
- HP1 - suitable for high pressure plumbing systems
- Thermostatic cartridge
- Ceramic disc cartridge
- Chrome plated
- H & C arrow etched with outlet marking
- Inlet supply - threaded 3/4" female connectors
- Guarantee - 15 years (excluding ceramic disc cartridge, 5 year guarantee)
- WRAS approval number - 1409306

Flow rates	0.5 bar	1.0 bar	2.0 bar	3.0 bar
	13 lpm	14 lpm	20 lpm	24 lpm



KL2500RC | KAI LEVER THERMOSTATIC SHOWER VALVE WITH 3 WAY DIVERTER



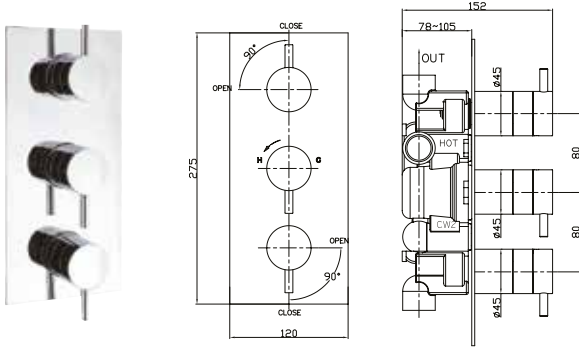
- Triple outlet
- Wall mounted
- HP1 - suitable for high pressure plumbing systems
- Thermostatic cartridge CGPRO1000T
- Ceramic disc cartridge CGPRO2500D
- Chrome plated
- Fixed head, bath & hand shower etched
- Inlet supply - threaded 3/4" female connectors
- Guarantee - 15 years (excluding ceramic disc cartridge, 5 year guarantee)
- WRAS approval number - 1404306

Flow rates	0.5 bar	1.0 bar	2.0 bar	3.0 bar
	10 lpm	17 lpm	21 lpm	24 lpm



CROSSWATER KAI LEVER SHOWER VALVES

KL2000RC | KAI LEVER THERMOSTATIC SHOWER VALVE 3 CONTROL

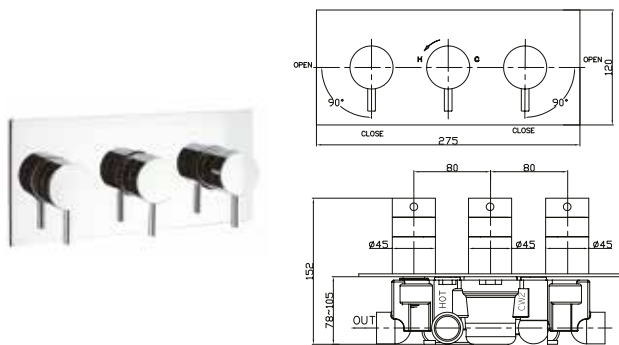


Double outlet
 Wall mounted
 LP - suitable for all plumbing systems
 Thermostatic cartridge CGPRO1000T
 Ceramic disc cartridge CGPRO2000C
 Chrome plated
 Fixed head & hand shower etched
 Inlet supply - threaded 3/4" female connectors
 Guarantee - 15 years (excluding ceramic disc cartridge, 5 year guarantee)
 WRAS approval number - 1112080

Flow rates	0.5 bar	1.0 bar	2.0 bar	3.0 bar
	14 lpm	15 lpm	22 lpm	27 lpm



KL2001RC | KAI LEVER THERMOSTATIC SHOWER VALVE 3 CONTROL

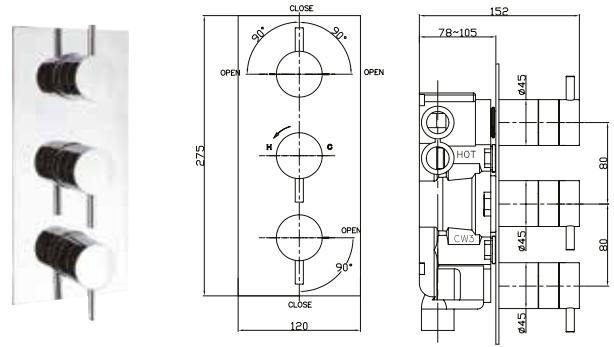


Double outlet
 Wall mounted
 LP - suitable for all plumbing systems
 Thermostatic cartridge CGPRO1000T
 Ceramic disc cartridge CGPRO2000C | CGPRO1000H
 Chrome plated
 Fixed head & hand shower etched
 Inlet supply - threaded 3/4" female connectors
 Guarantee - 15 years (excluding ceramic disc cartridge, 5 year guarantee)
 WRAS approval number - 1112080

Flow rates	0.5 bar	1.0 bar	2.0 bar	3.0 bar
	14 lpm	15 lpm	22 lpm	27 lpm



KL3000RC | KAI LEVER THERMOSTATIC SHOWER VALVE WITH 3 WAY DIVERTER

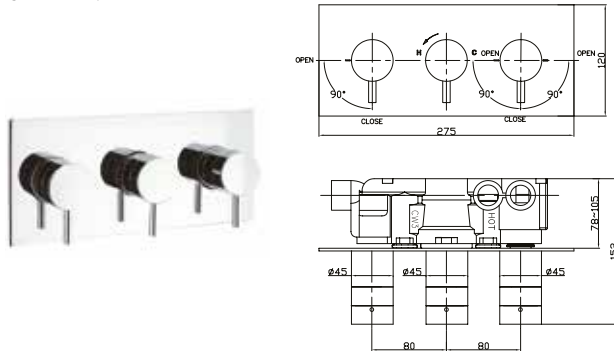


Triple outlet
 Wall mounted
 HP1 - suitable for high pressure plumbing systems
 Thermostatic cartridge CGPRO1000T
 Ceramic disc cartridge CGPRO1500D | CGPRO2000C
 Chrome plated
 Fixed head, bath & hand shower etched
 Inlet supply - threaded 3/4" female connectors
 Guarantee - 15 years (excluding ceramic disc cartridge, 5 year guarantee)
 WRAS approval number - 1112080

Flow rates	0.5 bar	1.0 bar	2.0 bar	3.0 bar
	14 lpm	15 lpm	22 lpm	27 lpm



KL3001RC | KAI LEVER THERMOSTATIC SHOWER VALVE WITH 3 WAY DIVERTER

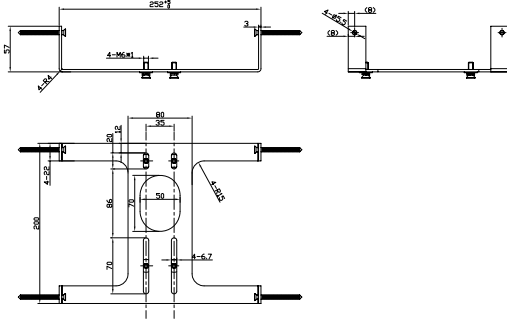


Triple outlet
 Wall mounted
 HP1 - suitable for high pressure plumbing systems
 Thermostatic cartridge CGPRO1000T
 Ceramic disc cartridge CGPRO1500D | CGPRO2000C
 Chrome plated
 Fixed head, bath & hand shower etched
 Inlet supply - threaded 3/4" female connectors
 Guarantee - 15 years (excluding ceramic disc cartridge, 5 year guarantee)
 WRAS approval number - 1112080

Flow rates	0.5 bar	1.0 bar	2.0 bar	3.0 bar
	14 lpm	15 lpm	22 lpm	27 lpm

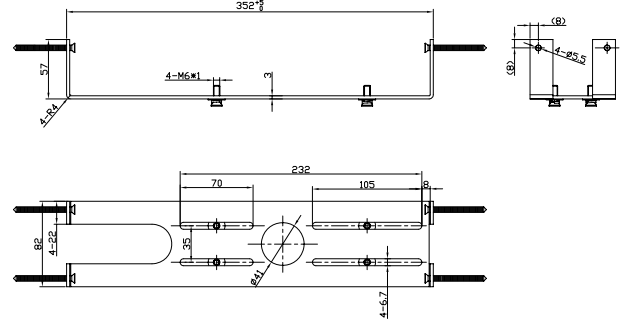


RV1000WB | FIXING BRACKET



Designed for fixing 1000 & 1500 valves in stud walls

RV2001WB | FIXING BRACKET



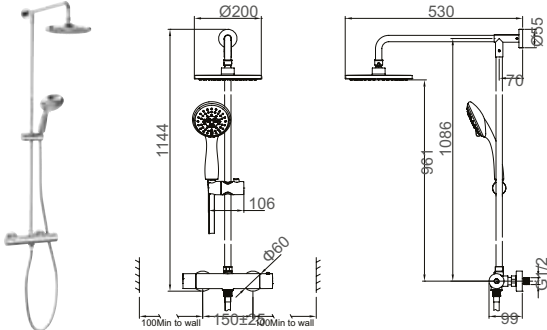
Designed for fixing 2001 & 3001 valves in stud walls

AD1500FA1 | INLET ADAPTER FOR RECESSED VALVE



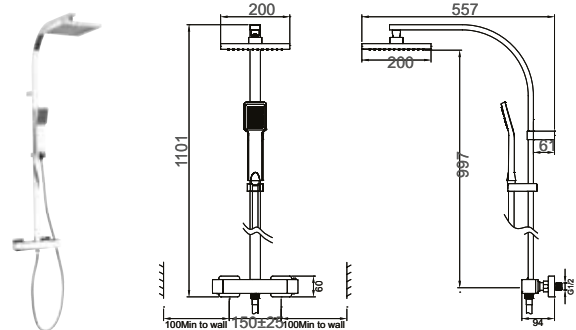
CROSSWATER/ADORA MULTIFUNCTION SHOWER VALVES

MB500RM | FUSION MULTIFUNCTION SHOWER VALVE



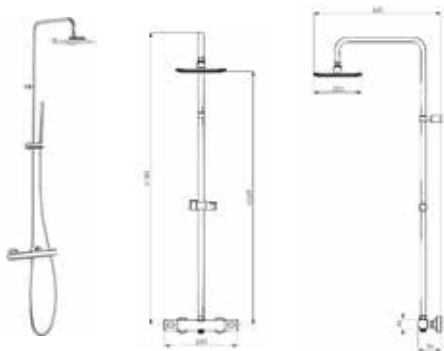
Fixed head and shower handset				
Wall mounted				
MP - suitable for plumbing systems from 0.5 bar				
Thermostatic cartridge				
Ceramic disc cartridge				
Chrome plated				
Inlet supply - threaded 1/2" male connectors				
Guarantee - 5 years				
WRAS approval number - 1405377				
Flow rates	0.5 bar	1.0 bar	2.0 bar	3.0 bar
	7 lpm	10 lpm	14 lpm	17 lpm
Optional	8 lpm shower flow regulator 58.86411			

MB510SQ | PLANET MULTIFUNCTION SHOWER VALVE



Fixed head and shower handset				
Wall mounted				
MP - suitable for plumbing systems from 0.5 bar				
Thermostatic cartridge				
Ceramic disc cartridge				
Chrome plated				
Inlet supply - threaded 1/2" male connectors				
Guarantee - 5 years				
WRAS approval number - 1405378				
Flow rates	0.5 bar	1.0 bar	2.0 bar	3.0 bar
	7 lpm	10 lpm	14 lpm	17 lpm
Optional	8 lpm shower flow regulator 58.86411			

RM530WC+ | MULTIFUNCTION SHOWER VALVE



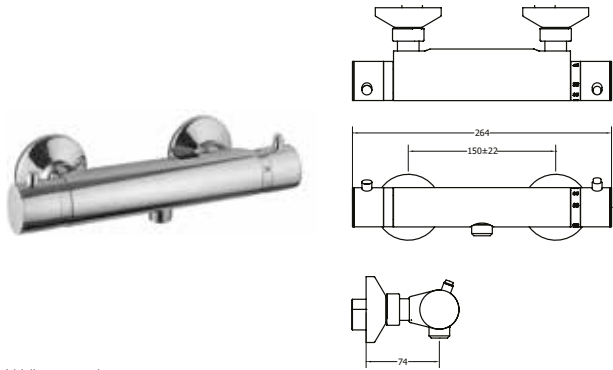
Fixed head and shower handset				
Wall mounted				
HP1 - suitable for high pressure plumbing systems				
Thermostatic cartridge				
Ceramic disc cartridge				
Chrome plated				
Inlet supply - threaded 1/2" male connectors				
Guarantee - 15 years (excluding ceramic disc cartridge, 5 year guarantee)				
WRAS approval number - Pending				
Flow rates	0.5 bar	1.0 bar	2.0 bar	3.0 bar
	7 lpm	10 lpm	14 lpm	17 lpm
Optional	8 lpm shower flow regulator 58.86411			

EV1205WB | EXPOSED VALVE WALL MOUNTING BRACKET



Highly recommended for quick and easy installation

EV1252EC | KAI THERMOSTATIC SHOWER VALVE



Wall mounted

MP - suitable for plumbing systems from 0.5 bar

WRAS approval number - 1111125

Suitable for all hot water supply systems from 0.5 bar pressure

Solid brass construction

Separate flow and temperature controls

3/4" outlet and inlet

Facility to set your preferred temperature and leave for the next time you use the valve

Temperature handle has a built-in safety stop at 38°C with manual override button

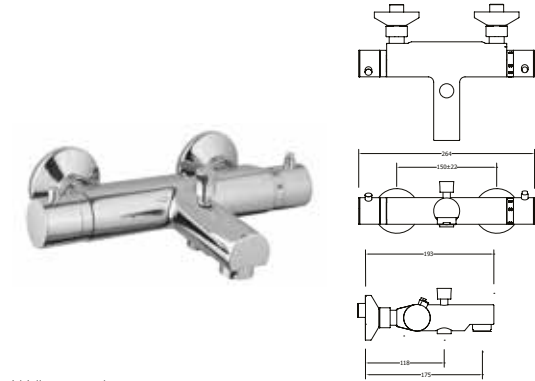
Ceramic disc control for smooth turning action and no drips

Complete with wall unions for installation

15 year guarantee

Optional 8 lpm shower flow regulator 58.86411

EV1253EC | KAI THERMOSTATIC BATH SHOWER MIXER



Wall mounted

MP - suitable for plumbing systems from 0.5 bar

Suitable for all hot water supply systems from 0.5 bar pressure

3/4" outlet and inlet

Separate flow and temperature controls

Facility to set your preferred temperature and leave for the next time you use the valve

Temperature handle has a built-in safety stop at 38°C with manual override for a safer shower

Automatic safety shutdown should the hot or cold water supply fail

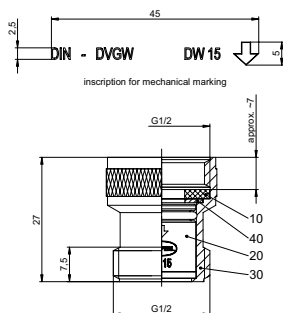
Ceramic disc control for smooth turning action and no drips

Complete with wall unions for installation

15 year guarantee

Optional 8 lpm shower flow regulator 58.86411

30.4442.00001 | SINGLE NON-RETURN VALVE



Height: 27mm

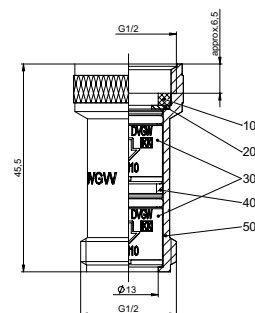
G1/2" connections at each end

May be fitted between an exposed valve and shower hose or between a wall outlet and shower hose.

May be subject to minimum order quantity.



30.4454.00001 | DOUBLE NON-RETURN VALVE



Height: 45.5mm

G1/2" connections at each end

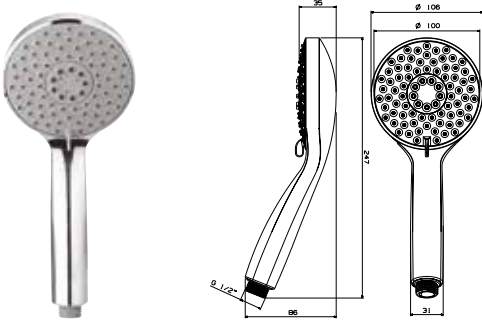
May be fitted between an exposed valve and shower hose or between a wall outlet and shower hose.

May be subject to minimum order quantity.



CROSSWATER SHOWER KITS

SH605C | WISP SHOWER HEAD WITH THREE SPRAY PATTERNS



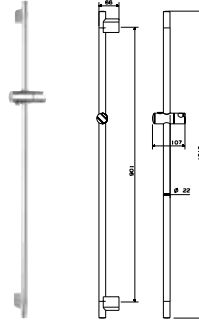
HP1 - suitable for high pressure plumbing systems

Three spray functions

WRAS approval number - 1511028

8 lpm shower flow regulator 58.8638.1

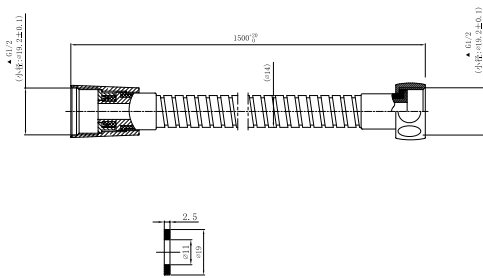
SK520C | WISP SHOWER RAIL



Premium shower rail

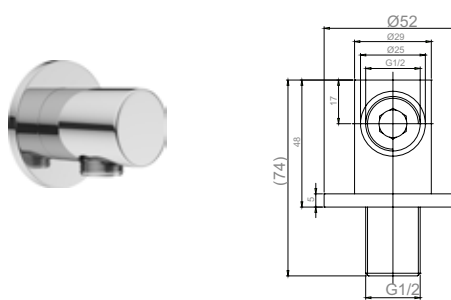


PRO974C | MIKE PRO SHOWER HOSE



WRAS approval number - 1506053

PRO953C | WALL OUTLET



Wall mounted

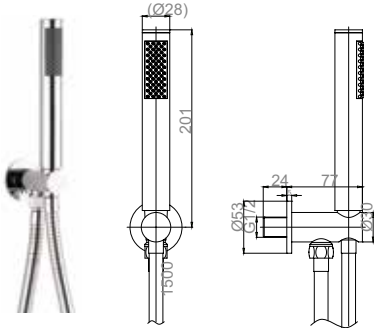
Chrome plated

Inlet supply - threaded 1/2" male connectors

Guarantee - 15 years

WRAS approval number - 1407305

SK963C | SHOWER KIT



Wall mounted

MP - suitable for plumbing systems from 0.5 bar

Single function spray

Chrome plated

Inlet supply - flexihose 1/2" female connectors

Guarantee - 15 years

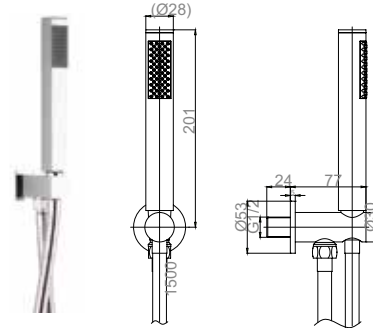
WRAS approval number - 1405320

Flow rates	0.5 bar	1.0 bar	2.0 bar	3.0 bar
	7 lpm	10 lpm	14 lpm	17 lpm

Optional 8 lpm shower flow regulator 58.86381

Outlet available separately WB963C

SK962C | SHOWER KIT



Wall mounted

MP - suitable for plumbing systems from 0.5 bar

Single function spray

Chrome plated

Inlet supply - flexihose 1/2" female connectors

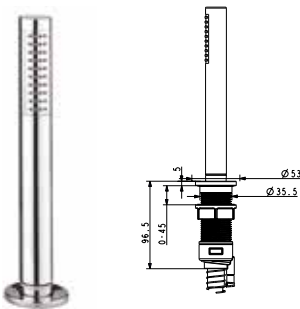
Guarantee - 15 years

WRAS approval number - Pending

Flow rates	0.5 bar	1.0 bar	2.0 bar	3.0 bar
	7 lpm	10 lpm	14 lpm	17 lpm

Optional 8 lpm shower flow regulator 58.86381

SK812C | SHOWER KIT



Deck mounted

MP - suitable for plumbing systems from 0.5 bar

Single function spray

Chrome plated

Inlet supply - flexihose 1/2" female connectors

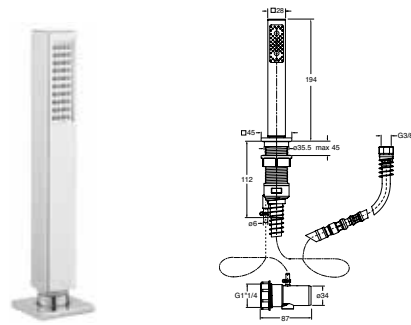
Guarantee - 15 years

WRAS approval number - 1405320

Flow rates	0.5 bar	1.0 bar	2.0 bar	3.0 bar
	7 lpm	10 lpm	14 lpm	17 lpm

Optional 8 lpm shower flow regulator 58.86381

SK822C | SHOWER KIT



Deck mounted

MP - suitable for plumbing systems from 0.5 bar

Single function spray

Chrome plated

Inlet supply - flexihose 1/2" female connectors

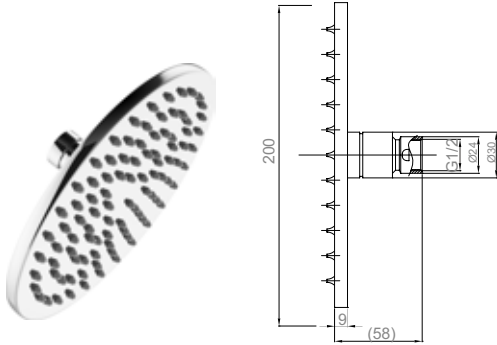
Guarantee - 15 years

Flow rates	0.5 bar	1.0 bar	2.0 bar	3.0 bar
	7 lpm	10 lpm	14 lpm	17 lpm

Optional 8 lpm shower flow regulator 58.86381

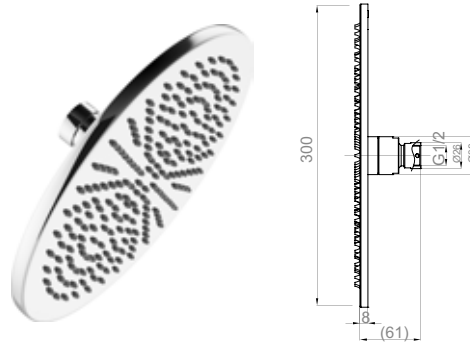
CROSSWATER SHOWER HEADS

PRO200C | SHOWER HEAD



Wall mounted				
MP - suitable for plumbing systems from 0.5 bar				
Single function spray				
Chrome plated				
Inlet supply - threaded 1/2" female connectors				
Guarantee - 15 years				
WRAS approval number - 1406315				
Flow rates	0.5 bar	1.0 bar	2.0 bar	3.0 bar
	8 lpm	13 lpm	18 lpm	22 lpm
Optional	8 lpm shower flow regulator 58.86381			

PRO300C | SHOWER HEAD



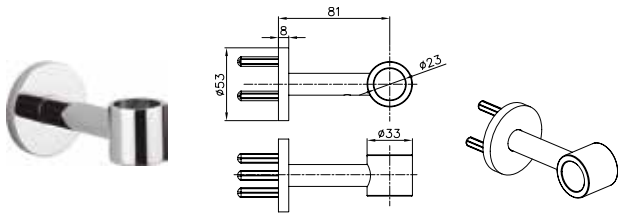
Wall mounted				
MP - suitable for plumbing systems from 0.5 bar				
Single function spray				
Chrome plated				
Inlet supply - threaded 1/2" female connectors				
Guarantee - 15 years				
WRAS approval number - 1406315				
Flow rates	0.5 bar	1.0 bar	2.0 bar	3.0 bar
	9 lpm	10 lpm	14 lpm	18 lpm
Optional	8 lpm shower flow regulator 58.86381			

FH250C+ | SHOWER HEAD



Wall mounted				
MP - suitable for plumbing systems from 0.5 bar				
Single function spray				
Chrome plated				
Inlet supply - threaded 1/2" female connectors				
Guarantee - 10 years				
WRAS approval number - 1511030				
Flow rates	0.5 bar	1.0 bar	2.0 bar	3.0 bar
	8.5 lpm	10.5 lpm	13.6 lpm	15.5 lpm
Optional	8 lpm shower flow regulator 58.86381			

PRO808C | HOSE RETAINING BRACKET



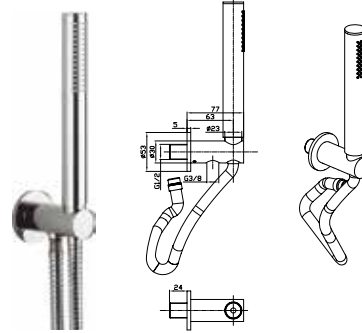
Designed to assist with Category 5 compliance

Guarantee - 15 years

Chrome plated

Stainless Steel available from stock PRO808V

PRO990C | SHOWER KIT WITH CAPTIVE HOSE



Designed to assist with Category 5 compliance

Wall mounted

MP - suitable for plumbing systems from 0.5 bar

Single function spray

1.5m hose

Chrome plated

Inlet supply - threaded 1/2" male connectors

Guarantee - 15 years

WRAS approval number - 1511029

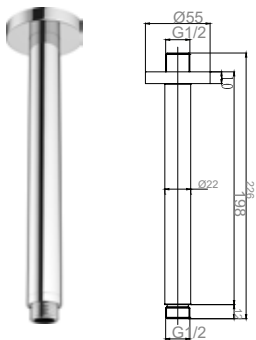
NSF approval number - C150585

Flow rates	0.5 bar	1.0 bar	2.0 bar	3.0 bar
	7 lpm	10 lpm	14 lpm	17 lpm

Optional 8 lpm shower flow regulator 58.8638.1

Stainless Steel available from stock PRO990V

PRO689C | SHOWER ARM



Ceiling mounted

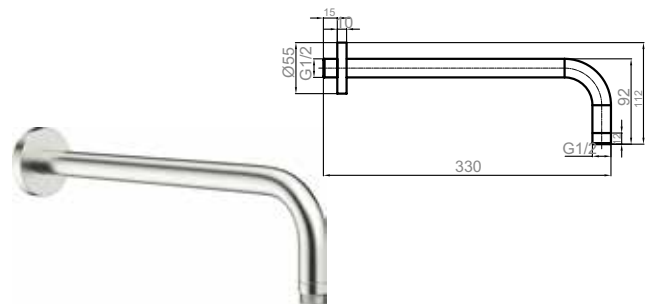
Chrome plated

Inlet supply - threaded 1/2" male connectors

Guarantee - 15 years

WRAS approval number - not required

PRO684C | SHOWER ARM



Wall mounted

Chrome plated

Inlet supply - threaded 1/2" male connectors

Guarantee - 15 years

WRAS approval number - not required

Stainless Steel available from stock PRO684V



ACCESSORIES



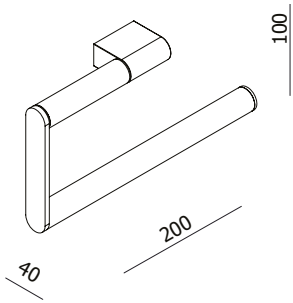
AN OUTSTANDING RANGE OF BATHROOM ACCESSORIES

CROSSWATER MIKE PRO ACCESSORIES

PRO013C | TOWEL RING



Chrome plated brass

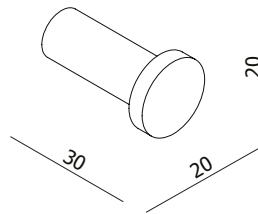


PRO021C | ROBE HOOK



Single

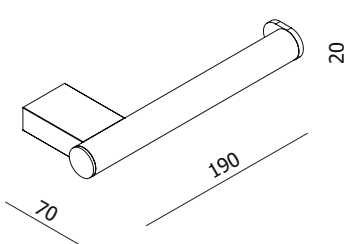
Chrome plated brass



PRO029C | TOILET ROLL HOLDER



Chrome plated brass



PRO011C | SOAP DISPENSER

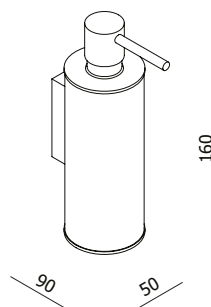


Wall mounted

Removable soap reservoir

Lift & Clean™

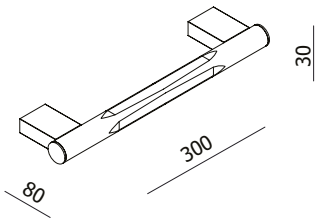
Chrome plated brass



PRO036C | GRAB BAR STRAIGHT



Chrome plated brass

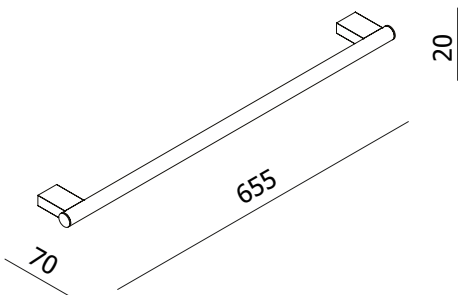


PRO023C | TOWEL RAIL SINGLE



655mm

Chrome plated brass



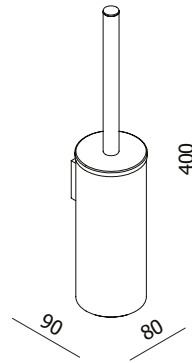
PRO025C | TOILET BRUSH HOLDER



Wall mounted

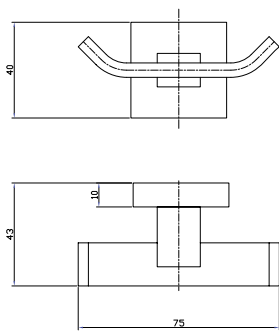
Removable fixing - Lift & Clean™

Chrome plated brass

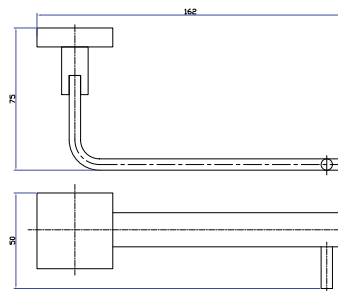


CROSSWATER ZEYA / CENTRAL ACCESSORIES

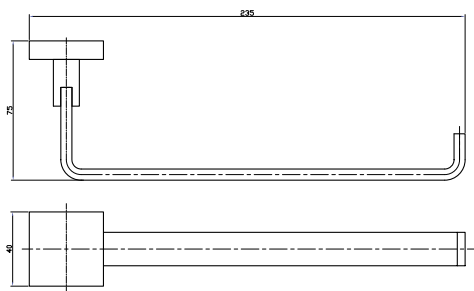
ZE022C | ZEYA DOUBLE ROBE HOOK



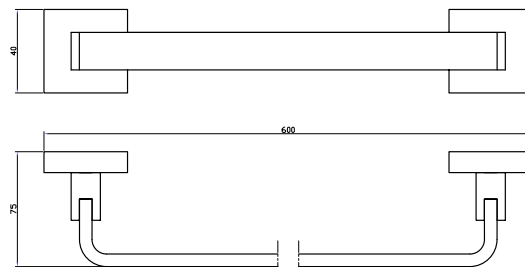
ZE029C | ZEYA TOILET ROLL HOLDER



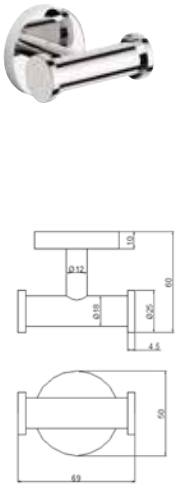
ZE013C | ZEYA TOWEL RAIL



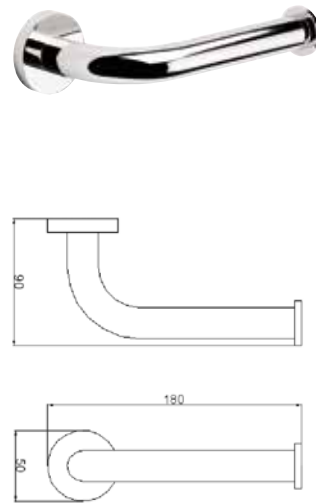
ZE015C | ZEYA TOWEL RAIL SINGLE (600MM)



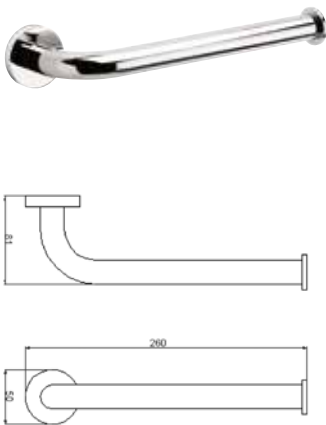
CE022C | CENTRAL DOUBLE ROBE HOOK



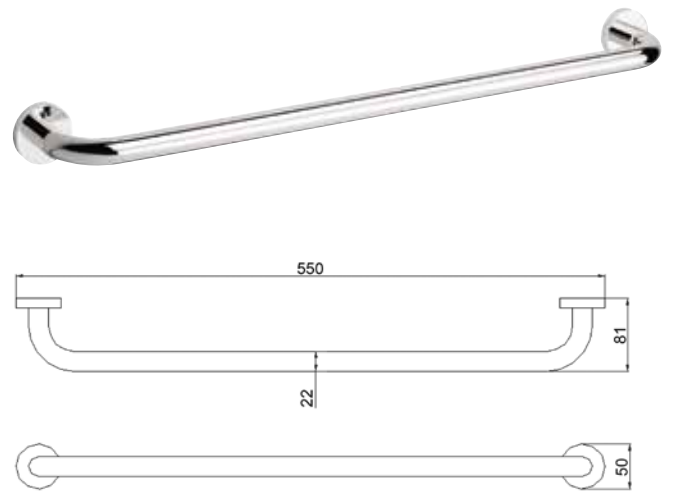
CE029C | CENTRAL TOILET ROLL HOLDER



CE013C | CENTRAL TOWEL RING



CE023C | CENTRAL TOWEL RAIL SINGLE (550MM)

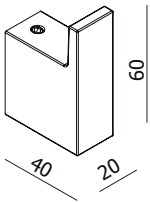


CROSSWATER ZEST / WISP ACCESSORIES

ZT021C | ZEST SINGLE ROBE HOOK



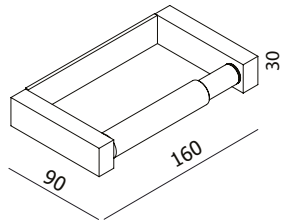
Chrome plated brass



ZT029C | ZEST TOILET ROLL HOLDER



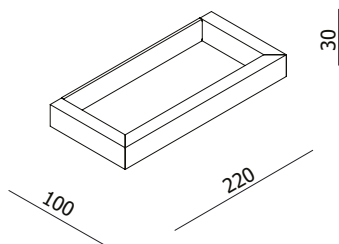
Chrome plated brass



ZT013C | ZEST TOWEL RING



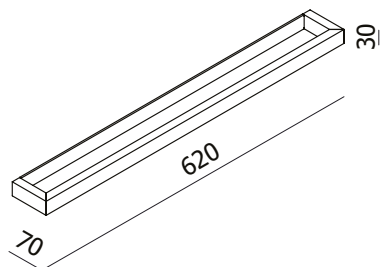
Chrome plated brass



ZT023C | ZEST TOWEL RAIL SINGLE (600MM)



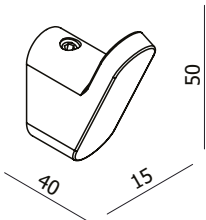
Chrome plated brass



WP021C | WISP SINGLE ROBE HOOK



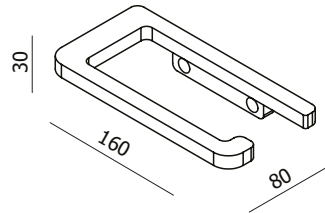
Chrome plated brass



WP029C | WISP TOILET ROLL HOLDER



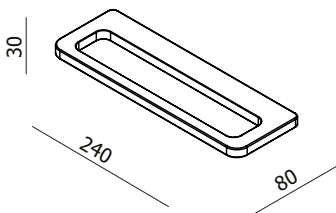
Chrome plated brass



WP013C | WISP TOWEL RING



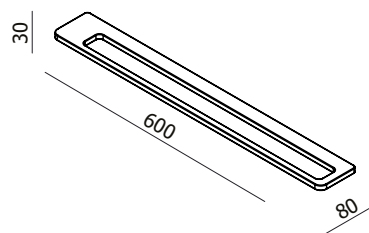
Chrome plated brass



WP023C | WISP TOWEL RAIL SINGLE (600MM)



Chrome plated brass



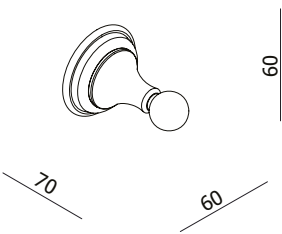
CROSSWATER BELGRAVIA ACCESSORIES

BL021C | BELGRAVIA SINGLE ROBE HOOK



Chrome plated brass

For the full range see pages 3:19 - 3:20

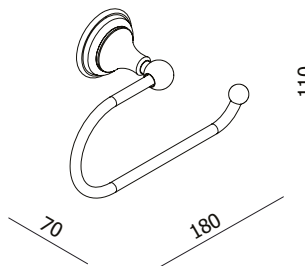


BL029C | BELGRAVIA TOILET ROLL HOLDER



Chrome plated brass

For the full range see pages 3:19 - 3:20

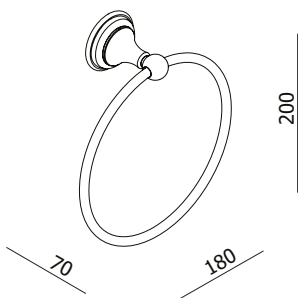


BL013C | BELGRAVIA TOWEL RING



Chrome plated brass

For the full range see pages 3:19 - 3:20

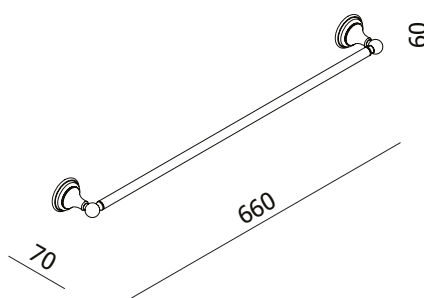


BL023C | BELGRAVIA TOWEL RAIL SINGLE (600MM)



Chrome plated brass

For the full range see pages 3:19 - 3:20







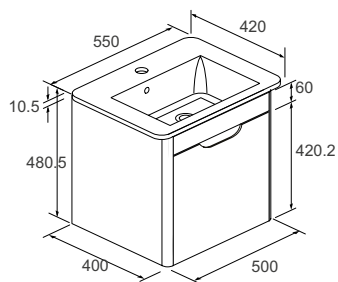
FURNITURE



AN OUTSTANDING COLLECTION OF FURNITURE



SOLO BASIN & UNIT



Wall mounted

Solo unit - Medium-density fibreboard with a high gloss polyurethane lacquer finish
w 500 x d 400 x h 480mm

Solo Basin - High Gloss White Cast Mineral marble, single tap hole with overflow
w 550 x d 420 x h 14mm

Rebated handle

Soft close pull to open

Single drawer

Guarantee - 15 years

Tap not included

AVAILABLE IN 4 COLOURS



Graphite

Unit: SO5500DGR

Basin: SO0511SRW



Calico

Unit: SO5500DCC

Basin: SO0511SRW



Quartz

Unit: SO5500DQZ

Basin: SO0511SRW



White Gloss

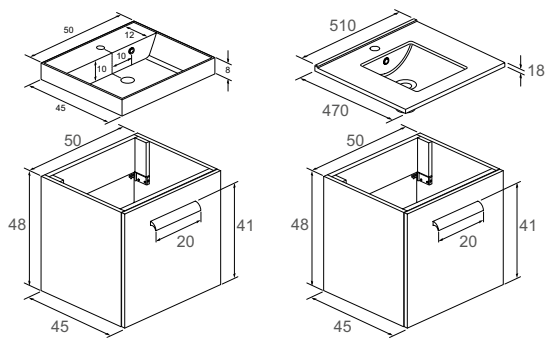
Unit: SO5500DWG

Basin: SO0511SRW





DESIGN 50 BASIN & UNIT



- Single drawer basin unit
- Soft close pull to open
- High gloss white cast mineral marble
- Single tap hole with overflow (tap not included)

AVAILABLE IN 3 COLOURS

CAST MINERAL MARBLE BASIN



- | | | |
|------------------|------------------|------------------|
| Panga | Walnut | White Gloss |
| Unit: DE5000DPG | Unit: DE5000DWT | Unit: DE5000DWG |
| Basin: DE0002SRW | Basin: DE0002SRW | Basin: DE0002SRW |

CERAMIC BASIN



- | | | |
|------------------|------------------|------------------|
| Panga | Walnut | White Gloss |
| Unit: DE5000DPG | Unit: DE5000DWT | Unit: DE5000DWG |
| Basin: DE0002SCW | Basin: DE0002SCW | Basin: DE0002SCW |



HANDLE OPTIONS

Design furniture units are supplied as standard with stylish matt aluminium handles. You may upgrade to an alternative handle design at an additional price from the options shown.



Standard Handle - Matt aluminium
HD0004C



Slim - Chrome finish
HD0001C



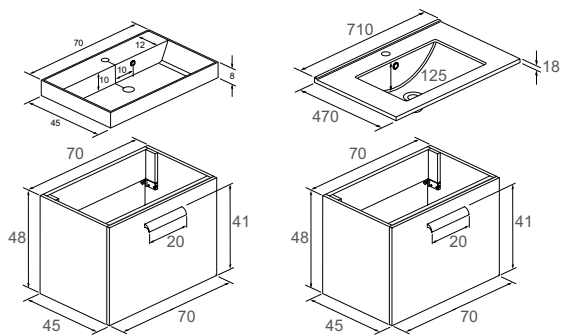
Degree - Chrome finish
HD0003C



Twist - Chrome finish
HD0002C



DESIGN 70 BASIN & UNIT



Single drawer basin unit

Soft close pull to open

High gloss white cast mineral marble

Single tap hole with overflow (tap not included)

AVAILABLE IN 3 COLOURS

CAST MINERAL MARBLE BASIN



Panga

Unit: DE7000DPG

Basin: DE0003SRW

Walnut

Unit: DE7000DWT

Basin: DE0003SRW

White Gloss

Unit: DE7000DWG

Basin: DE0003SRW

CERAMIC BASIN



Panga

Unit: DE7000DPG

Basin: DE0003SCW

Walnut

Unit: DE7000DWT

Basin: DE0003SCW

White Gloss

Unit: DE7000DWG

Basin: DE0003SCW



HANDLE OPTIONS

Design furniture units are supplied as standard with stylish matt aluminium handles. You may upgrade to an alternative handle design at an additional price from the options shown.



Standard Handle - Matt aluminium
HD0004C



Slim - Chrome finish
HD0001C

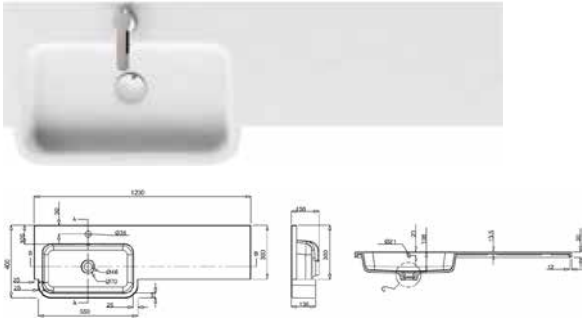


Degree - Chrome finish
HD0003C



Twist - Chrome finish
HD0002C

Q1230L | D300 1200 QUATTROCAST LEFT HANDED BASIN



1200 x 400 x 30 mm

Weight: 17 kg

Material : Polymarble

Tap Holes : 1 LF

Modern material adapted for use in the bathroom

Finished with a coat of polyester resin, giving a durable layer impervious to bacteria

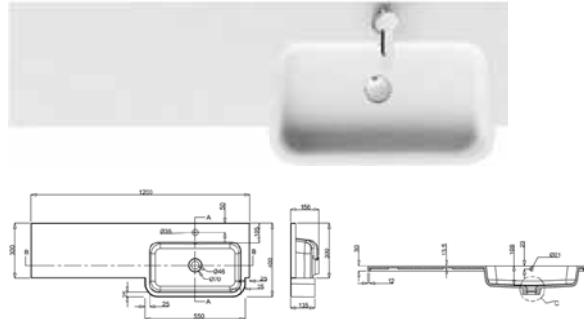
The base layer is a mixture of ground stone and bauxite formed into a fibre reinforced composite

Integrated overflow with AQUA overflow ring

Integrated basin that seamlessly covers the entire width of your furniture - so no joins to look at or clean

Compliance/Approvals: EN14688:2006

Q1230R | D300 1200 QUATTROCAST RIGHT HANDED BASIN



1200 x 400 x 30 mm

Weight: 17 kg

Material : Polymarble

Tap Holes : 1 LF

Modern material adapted for use in the bathroom

Finished with a coat of polyester resin, giving a durable layer impervious to bacteria

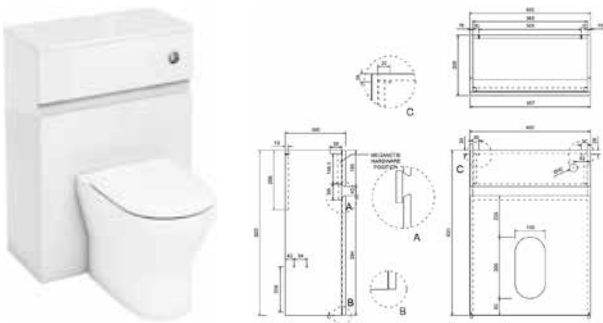
The base layer is a mixture of ground stone and bauxite formed into a fibre reinforced composite

Integrated overflow with AQUA overflow ring

Integrated basin that seamlessly covers the entire width of your furniture - so no joins to look at or clean

Compliance/Approvals: EN14688:2006

W31W | D300 WALL HUNG WC UNIT WITH PUSH BUTTON



600mm back to wall WC unit (including cistern tank and front dual flush button)

Excludes worktop

Material: Wood

Size: 600 x 300 x 820 mm

Weight: 22.7 kg

Five coats of paint with a gloss finish

Full and half dual flush system

Removable front access panel

Steel wall hung WC frame

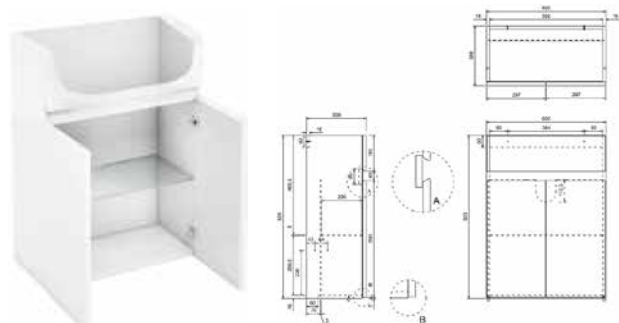
Rigid solid carcass - not flat pack

Work top required

Please ensure that the chosen WC pan is tall enough to cover the cut out

Compliance / Approvals: EN14749:2005

D37W | D300 SEMI RECESSED BASIN UNIT



600 x 300 x 820 mm

600mm semi-recessed basin unit

Excluding worktop & basin

Material: Wood

Weight: 18.5 kg

Five coats of paint with a gloss finish

Soft close doors

6mm safety glass shelves

Rigid solid carcass - not flat pack

Work top and basin required

Cabinet or drawer lighting

Compliance / Approvals: EN14749:2005



AVAILABLE IN 4 COLOURS

To order the correct furniture colour simply replace the 'W' for White with 'B' for Black, 'G' for Anthracite Grey or 'O' for Ocean.



White



Ocean



Anthracite Grey



Black

THE ALL-IN-ONE FLOOR-STANDING UNIT AND CLOAKROOM BASIN

A cloakroom always has space as a challenge. The All-in-One is an ingenious solution! The unit is 50cm wide, and only 25cm deep. Yet not only does it contain a very useful storage cabinet underneath the ceramic basin, but the toilet roll and the brush and holder is contained within the space of the cabinet. The brush and toilet roll side can be mounted either on the left or the right hand side of the unit. The door is reversible to open left or right. The unit is floor standing, and contains one glass shelf.

1505 x w 252 x h 770mm

Basin material - Vitreous China

Guarantee: 10 years domestic installations

Standards: EN14749:2005



AVAILABLE IN 4 COLOURS



White (R50W)



Ocean (R50O)



Anthracite (R50G)



Black (R50B)

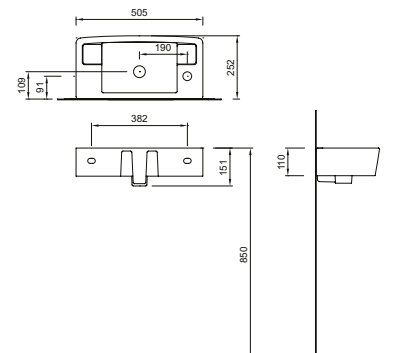
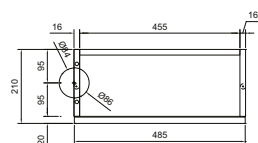
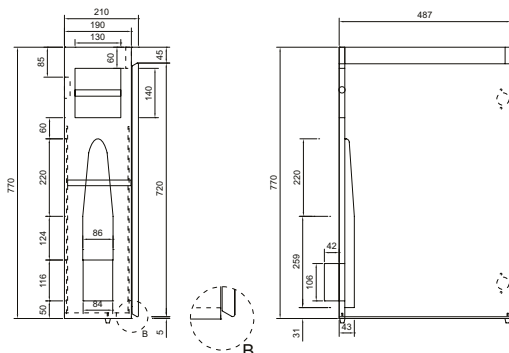
LEFT OR RIGHT HAND BASIN OPTIONS



Left handed basin CR.1730



Right handed basin CR.1731











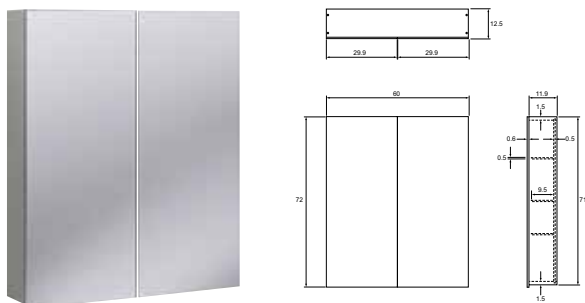
MIRRORS & CABINETS



AN OUTSTANDING COLLECTION OF MIRRORED
CABINETS & ILLUMINATED MIRRORS

BAUHAUS MIRRORED CABINETS

CB6070AL | NON-ELECTRIC 60



w 600 x h 700 d 120mm

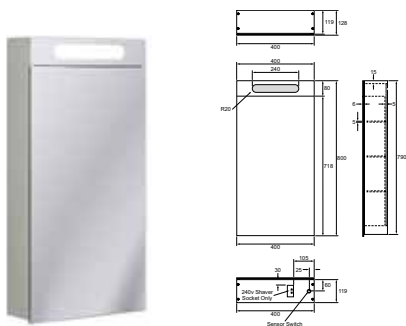
Soft close door hinge

3 height adjustable safety glass shelves

Two double sided mirrored doors



CB4080AL+ | ELECTRIC 40



w 400 x h 800 d 120mm

Internal Shavers only socket

IP44 CE rated

Infrared sensor on/off switch

15 x 3W white low energy LED's

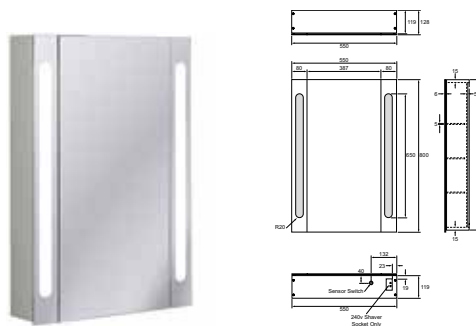
Soft close door hinge

3 height adjustable safety glass shelves

Reversible double side mirrored door

Stage 3 ERP Compliant

CB5580AL+ | ELECTRIC 55



w 550 x h 800 d 120mm

Internal Shavers only socket

IP44 CE rated

Infrared sensor on/off switch

78 x 15W white low energy LED's

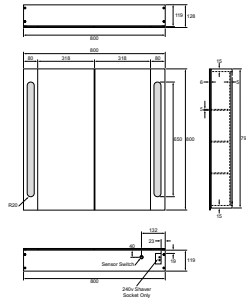
Soft close door hinge

3 height adjustable safety glass shelves

Reversible double side mirrored door

Stage 3 ERP Compliant

CB8080AL+ | ELECTRIC 80



w 800 x h 800 d 120mm

Internal Shavers only socket

IP44 CE rated

Infrared sensor on/off switch

78 x 15W white low energy LED's

Soft close door hinges

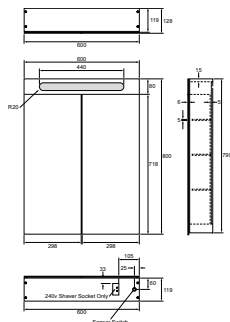
3 height adjustable safety glass shelves

Two double sided mirrored doors

Stage 3 ERP Compliant



CB6080AL+ | ELECTRIC 60



w 600 x h 800 d 120mm

Internal Shavers only socket

IP44 CE rated

Infrared sensor on/off switch

27 x 6W white low energy LED's

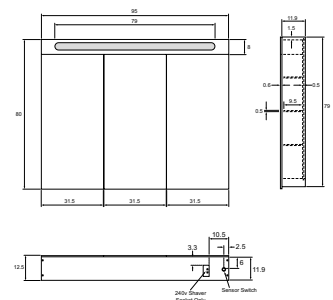
Soft close door hinges

3 height adjustable safety glass shelves

Two double sided mirrored doors

Stage 3 ERP Compliant

CB9080AL+ | ELECTRIC 95



w 950 x h 800 x d 120mm

Internal Shavers only socket

IP44 CE rated

Infrared sensor on/off switch

45 x 9W white low energy LED's

Soft close door hinges

6 height adjustable safety glass shelves

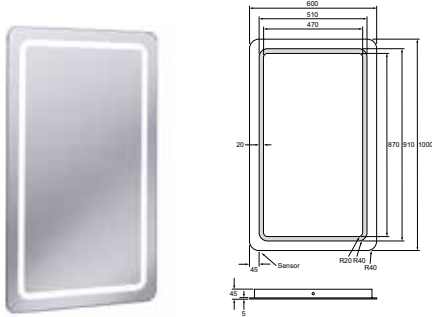
Three double sided mirrored doors

2 compartments - single door left and 2 door right

Stage 3 ERP Compliant

BAUHAUS ILLUMINATED MIRRORS

MF10060B+ | CELESTE 100 BACK LIT MIRROR



w 600 x d 45 x h 1000mm

5mm mirror glass with safety film backed and sealant

2 x T9 40W fluorescent lamp, 6400K

Infrared sensor on/off switch

IP44 CE rated

Demister 310x450mm - 30w

Portrait or landscape hanging

153 natural white low energy LED's

Power consumption - LED wattage - 9.2W / Driver wattage - 15W

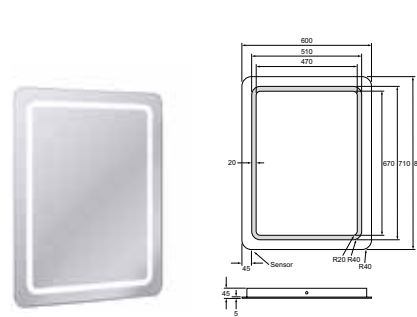
Colour temperature - 6400K

Luminous effect - 80lm/W

Colour rendering index (CPI) - Ra80

Stage 3 ERP Compliant

MF8060B+ | CELESTE 80 BACK LIT MIRROR



w 600 x d 45 x h 800mm

5mm mirror glass with safety film backed and sealant

T9 40W fluorescent lamp, 6400K

Infrared sensor on/off switch

IP44 CE rated

Demister 310x450mm - 22W

Portrait or landscape hanging

129 natural white low energy LED's

Power consumption - LED wattage - 7.2W / Driver wattage - 15W

Colour temperature - 6400K

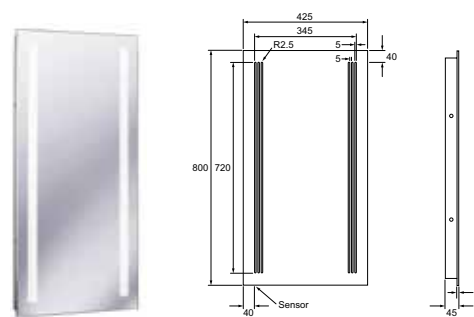
Luminous effect - 80lm/W

Colour rendering index (CPI) - Ra80

Stage 3 ERP Compliant



MF8042A+ | SOLO 80 BACK LIT MIRROR



w 425 x d 45 x h 800mm

5mm mirror glass with safety film backed and sealant

2 x T4 22W fluorescent lamp, 6400K

Infrared sensor on/off switch

IP44 CE rated

Demister 310x450mm - 22W

Portrait or landscape hanging

90 natural white low energy LED's

Power consumption - LED wattage - 5.4W / Driver wattage - 6W

Colour temperature - 6400K

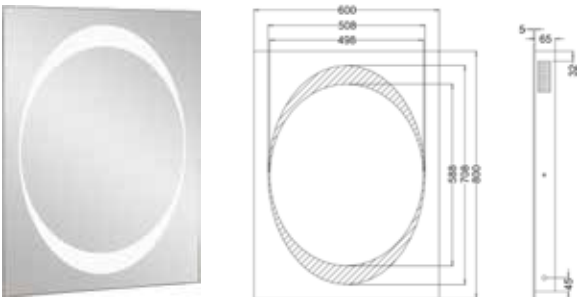
Luminous effect - 80lm/W

Colour rendering index (CPI) - Ra80

Stage 3 ERP Compliant



MEB8060A | REVIVE 10 LED MIRROR



w 600 x d 65 x h 800mm

Stereo speakers

5mm mirror glass with safety film backed

90° corners

Back lit through sandblast design

Infrared sensor on/off switch

IP44 RATED CLASS 1 rated

Portrait hanging only

98 x 0.6W white low energy LED's

Demister 350x250mm - 14w

Stage 3 ERP Compliant

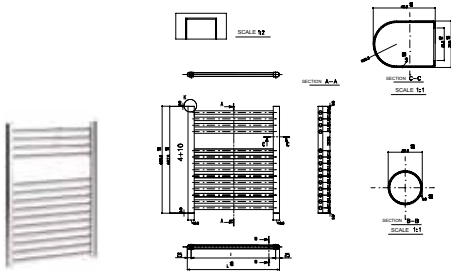


HEATED TOWEL RAILS



AN OUTSTANDING COLLECTION OF HEATED TOWEL RAILS

DE50X69C / DE60X69C | DESIGN FLAT PANEL



DE50X69C

w 500 x h 690mm

Chrome finish

BTU730 / Watts: 214

Summer heating element available

DE60X69C

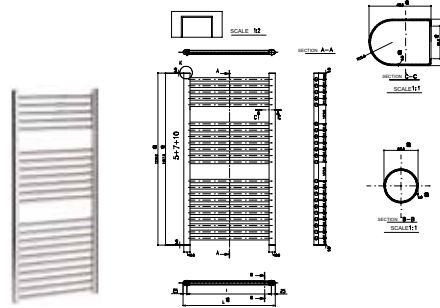
w 600 x h 690mm

Chrome finish

BTU856 / Watts: 251

Summer heating element available

DE50X111C / DE60X111C | DESIGN FLAT PANEL



DE50X111C

w 500 x h 1110mm

Chrome finish

BTU1204 / Watts: 353

Summer heating element available

DE60X111C

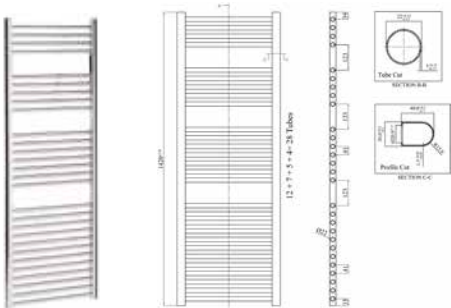
w 600 x h 1110mm

Chrome finish

BTU1419 / Watts: 416

Summer heating element available

DE50X143C / DE60X143C | DESIGN FLAT PANEL



DE50X143C

w 500 x h 1420mm

Chrome finish

BTU1559 / Watts: 457

Summer heating element available

DE60X143C

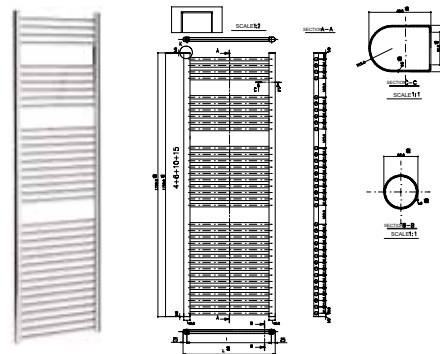
w 600 x h 1430mm

Chrome finish

BTU1845 / Watts: 541

Summer heating element available

DE50X170C / DE60X170C | DESIGN FLAT PANEL



DE50X170C

w 500 x h 1700mm

Chrome finish

BTU1856 / Watts: 544

Summer heating element available

DE60X170C

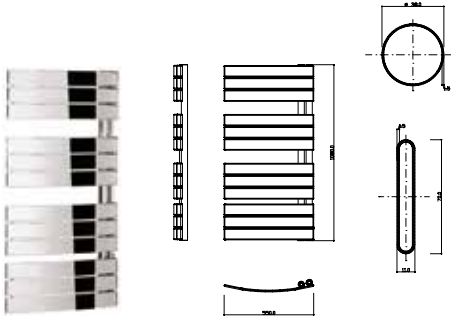
w 600 x h 1700mm

Chrome finish

BTU2197 / Watts: 644

Summer heating element available

ES55X108C | ESSENCE CURVED FLAT PANEL



w 550 x h 1080mm

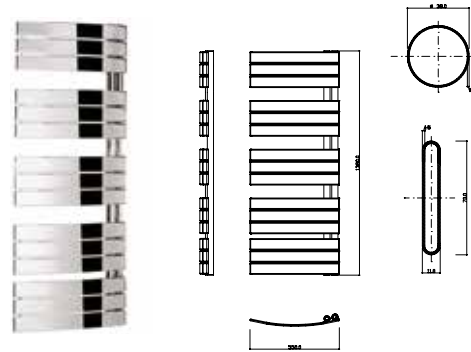
Chrome finish

Suitable for left and right hanging.

BTU1146 / Watts: 336

Summer heating element available

ES55X138C | ESSENCE CURVED FLAT PANEL



w 550 x h 1380mm

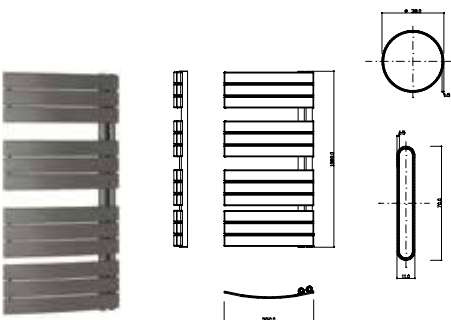
Chrome finish

Suitable for left and right hanging.

BTU1433 / Watts: 420

Summer heating element available

ES55X108A | ESSENCE CURVED FLAT PANEL



w 550 x h 1080mm

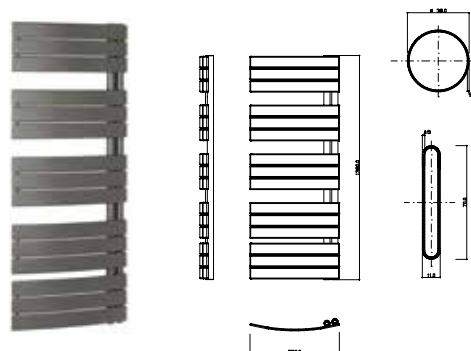
Anthracite finish

Suitable for left and right hanging.

BTU1706 / Watts: 500

Summer heating element available

ES55X138A | ESSENCE CURVED FLAT PANEL



w 550 x h 1380mm

Anthracite finish

Suitable for left and right hanging.

BTU2132 / Watts: 625

Summer heating element available



MODERN SANITARYWARE



AN OUTSTANDING COLLECTION OF SANITARYWARE



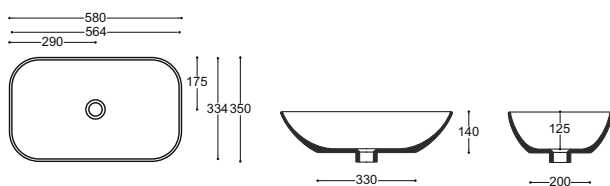
CT0234UCW | SERENE



w 580 x d 350 x h 150mm

No overflow

Countertop only



CT0234UCP | SERENE PLATINUM

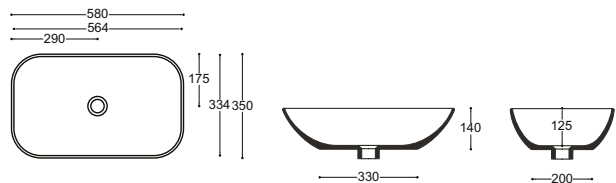


w 580 x d 350 x h 150mm

No overflow

Countertop only

High gloss platinum exterior glaze





CT5637URW | ALICE

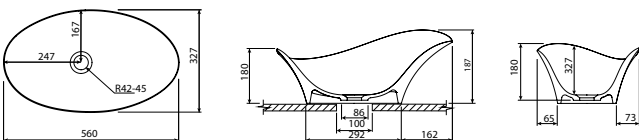


w 560 x d 327 x h 187mm

No overflow

Countertop only

Cast mineral marble



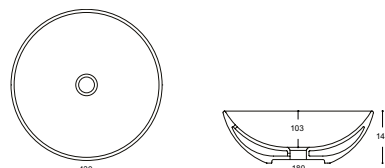
CT0012BSCW+ | CASTELLON PLUS



w 430 x d 430 x h 145mm

Slim line edge

Countertop only



BAUHAUS COUNTERTOP BASINS



CT05823UCW | PEARL

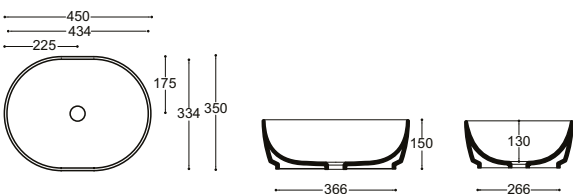


w 450 x d 350 x h 150mm

No overflow

Countertop only

Also available in Platinum (shown right) CT05823UCP





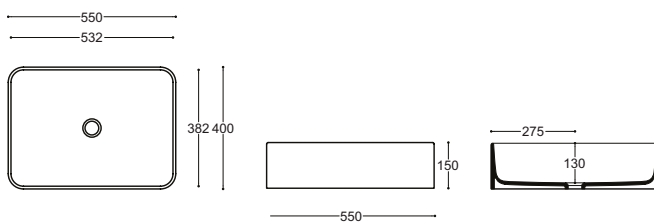
CT0884UCW | SANTA FE



w 550 x d 400 x h 150mm

No overflow

Countertop only



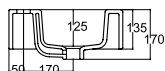
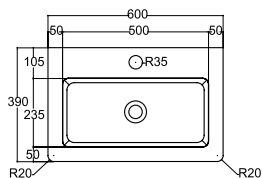
BAUHAUS COUNTERTOP OR WALL MOUNTED BASINS

WM0132SCW | AIR 60



w 600 x d 390 x h 135mm

Countertop or wall mount

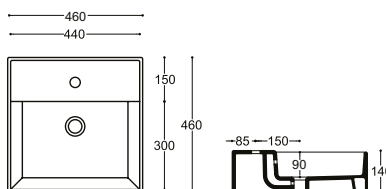


CT0017SCW+ | TENERIFE



w 460 x d 460 x h 140mm

Countertop or wall mount



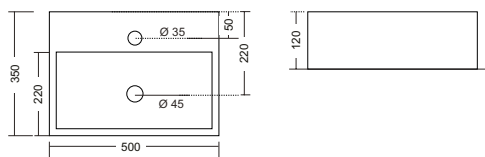
WM0017BSCW | TURIN



w 500 x d 350 x h 120mm

Countertop or wall mount

BSW0260C Click Clack Waste should be used

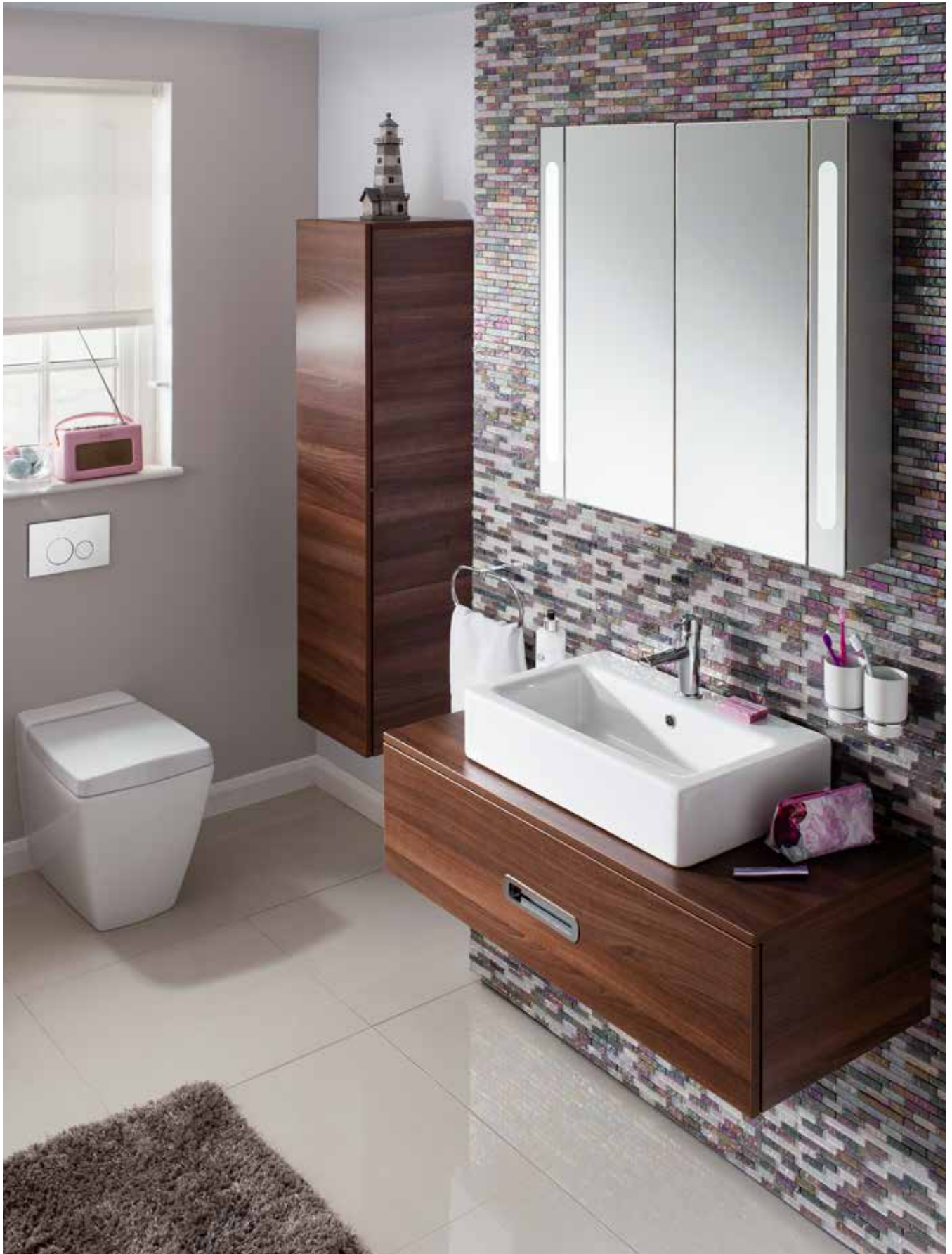


T/PARED | WALL MOUNTED BASIN FIXING BOLTS



Wall mount basin fixings

For solid walls only



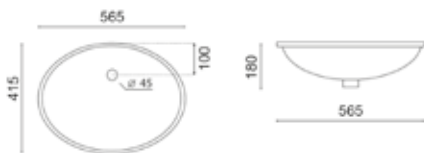
BAUHAUS UNDERMOUNT BASINS

UM0053SCW+ | ANCONA



w 565 x d 415 x h 180mm
Internal dimensions w 503 x d 353mm
Undermount only

Requires undermount fixings T/0051

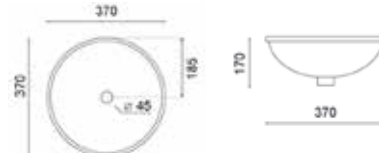


UM0052SCW | CERDEÑA



w 370 x d 370 x h 170mm
Internal dimensions w 326 x d 326mm
Undermount only

Requires undermount fixings T/0051

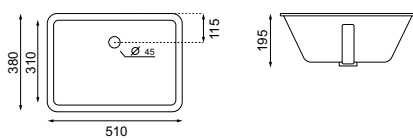


UM0051SCW | TORINO A MIDI



w 510 x d 380 x h 195mm
Internal dimensions w 455 x d 310mm
Undermount only

Requires undermount fixings T/0051

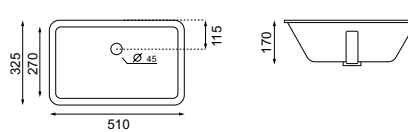


UM0051BSCW | TORINO B SMALL



w 510 x d 325 x h 170mm
Internal dimensions w 450 x d 270mm
Undermount only

Requires undermount fixings T/0051





SE6006CP & SE6105W

SVELTE PLATINUM WALL HUNG WC & WRAP OVER SOFT CLOSE SEAT



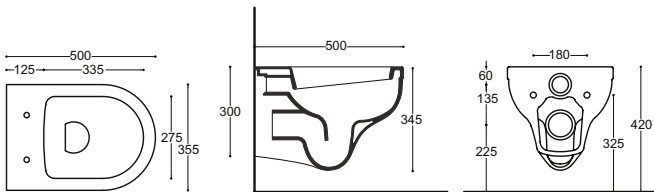
w 360 x d 520 x h 270mm

Platinum exterior/white interior

Will flush at ECO-saving 3/4.5L

Requires support frame and cistern

Made to order



SE6006CW & SE6105W

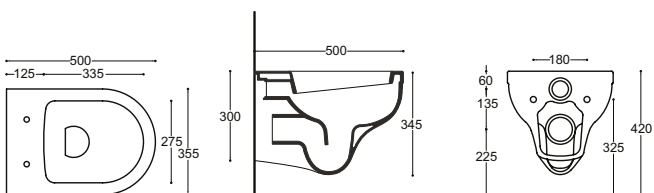
SVELTE WHITE WALL HUNG WC & WRAP OVER SOFT CLOSE SEAT



w 360 x d 520 x h 270mm

Will flush at ECO-saving 3/4.5L

Requires support frame and cistern



CE6006CW & CE6105W

CENTRAL WALL HUNG WC & WRAP OVER SOFT CLOSE SEAT



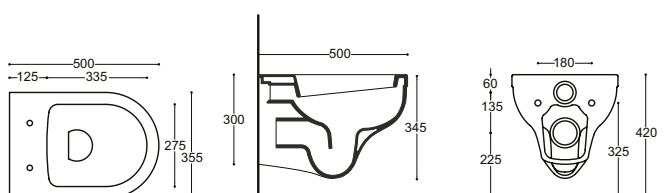
w 355 x d 500 x h 345mm

Will flush at ECO-saving 3/4.5L

Reduced projection

Complete with concealed fitting system

Requires support frame and cistern



RG6006CW & RG6105W

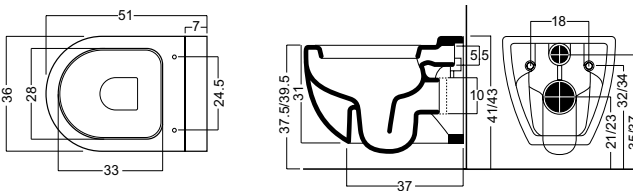
STREAM II WALL HUNG WC & WRAP OVER SOFT CLOSE SEAT



w 360 x d 510 x h 310mm

Reduced projection

Requires support frame



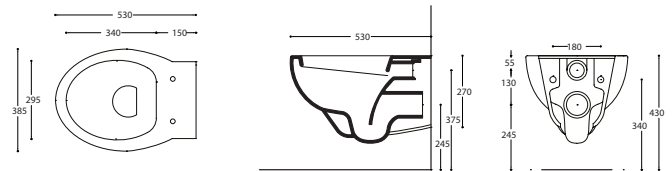
WP6006CW & WP6106W

WISP WALL HUNG WC & WRAP OVER SOFT CLOSE SEAT



w 385 x d 530 x h 330mm

Requires support frame



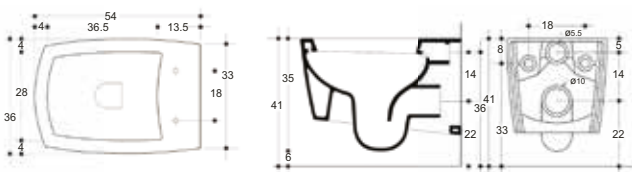
ED6006CW & ED6105W

TOUCH WALL HUNG WC & WRAP OVER SOFT CLOSE SEAT



w 360 x d 540 x h 410mm

Requires support frame



LN6006CW & LN6105W

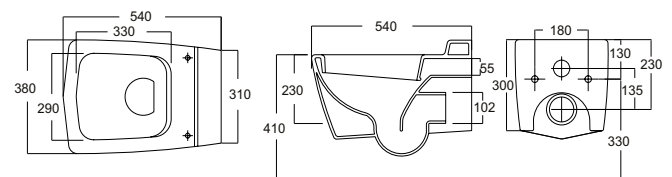
LINEA WALL HUNG WC & WRAP OVER SOFT CLOSE SEAT



w 380 x d 540 x h 300mm

Requires support frame

Fittings supplied with support frame



BAUHAUS BACK TO WALL WC'S

CE6007CW & CE6105W

CENTRAL BACK TO WALL WC & WRAP OVER SOFT CLOSE SEAT



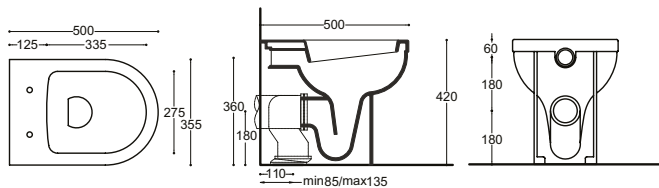
w 355 x d 500 x h 420mm

Will flush at ECO-saving 3/4.5L

Reduced projection

Complete with floor fixings

For concealed cistern



WP6007CW & WP6105W

WISP BACK TO WALL WC & WRAP OVER SOFT CLOSE SEAT

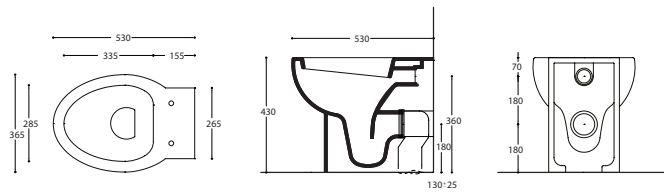


w 365 x d 530 x h 430mm

Reduced projection

Complete with floor fixings

For concealed cistern



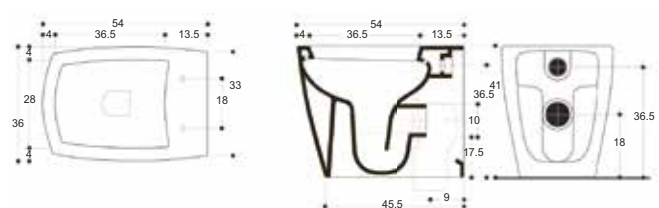
ED6007CW & ED6105W

TOUCH BACK TO WALL WC & WRAP OVER SOFT CLOSE SEAT



w 360 x d 540 x h 410mm

For concealed cistern



LN6007CW & LN6105W

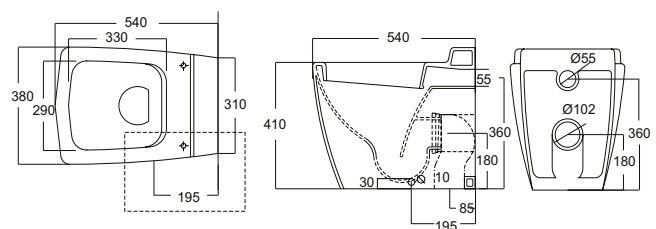
LINEA BACK TO WALL WC & WRAP OVER SOFT CLOSE SEAT



w 380 x d 540 x h 410mm

Complete with floor fixings

For concealed cistern



RG6007CW & RG6105W

STREAM II BACK TO WALL WC & WRAP OVER SOFT CLOSE SEAT

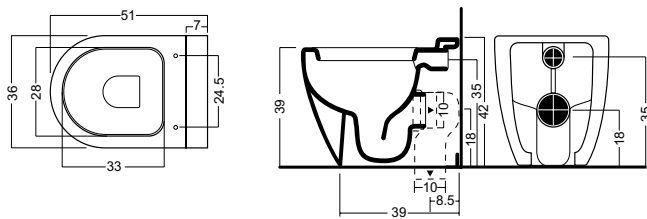


w 360 x d 510 x h 390mm

Reduced projection

Complete with floor fixings

For concealed cistern



SE6007CW & SE6105W

SVELTE WHITE BACK TO WALL WC & WRAP OVER SOFT CLOSE SEAT

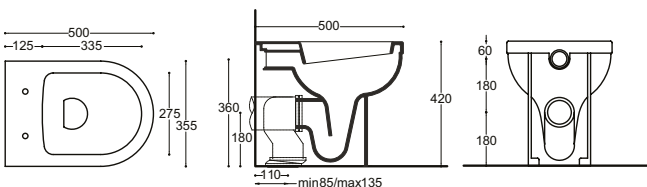


w 360/260 x d 520 x h 420mm

Will flush at ECO-saving 3/4.5L

Complete with floor fixings

For concealed cistern



SE6007CP & SE6105W

SVELTE PLATINUM BACK TO WALL WC & WRAP OVER SOFT CLOSE SEAT



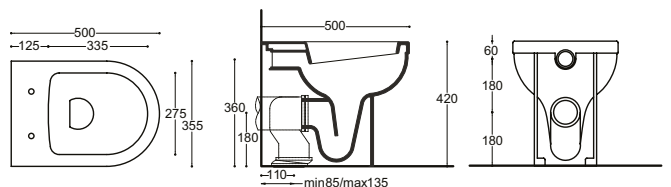
Platinum exterior/white interior

w 360/260 x d 520 x h 420mm

Will flush at ECO-saving 3/4.5L

Complete with floor fixings

For concealed cistern





RG6005CW, RG7005CW & RG6105W | STREAM II CLOSE COUPLED WC WITH CISTERN & WRAP OVER SOFT CLOSE SEAT

w 360 x d 630 x h 390mm

Reduced projection

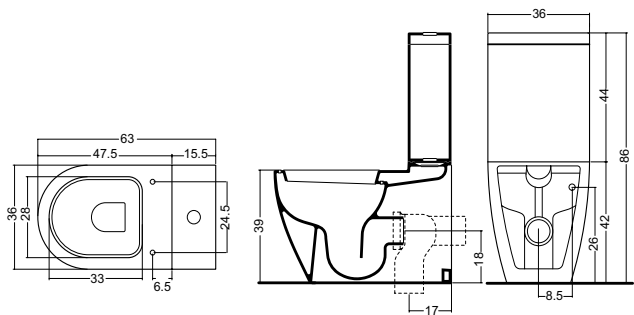
Complete with floor fixings

Stream II Cistern

w 360 x d 155 x h 440mm

Dual flush

Pre-fitted mechanism 3 and 6l



ED6005CW, ED7005CW & ED6105W | TOUCH CLOSE COUPLED WC WITH CISTERN & WRAP OVER SOFT CLOSE SEAT

w 360 x d 640 x h 410mm

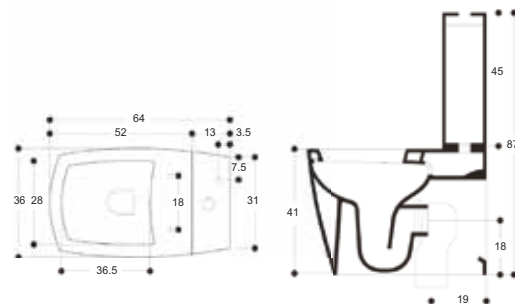
Short projection

Touch Cistern

w 310 x d 130 x h 450mm

Dual flush

Pre-fitted and tested mechanism





WP6005CW, WP7005CW+ & WP6105W | WISP CLOSE COUPLED WC WITH CISTERN & WRAP OVER SOFT CLOSE SEAT

w 365 x d 600 x h 430mm

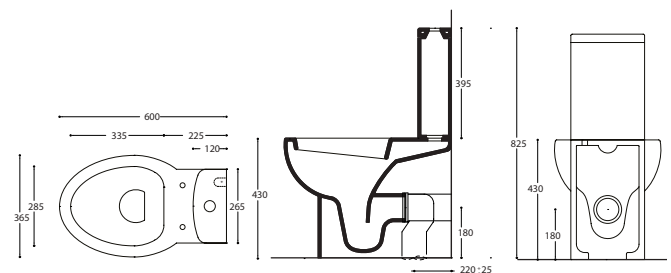
Complete with floor fixings

Wisp Cistern

w 265 x d 700 h 395mm

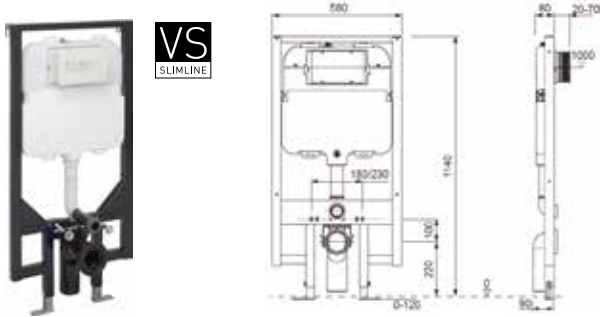
Dual flush

Pre-fitted mechanism 3 and 6l



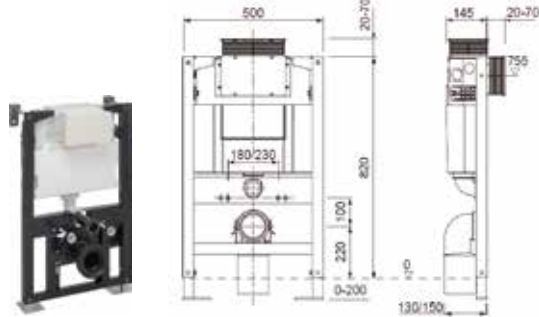
BAUHAUS SUPPORT FRAMES & CONCEALED CISTERNS

WCF118X50-VS | ULTRA SLIM 1.18M HEIGHT WALL HUNG WC FRAME



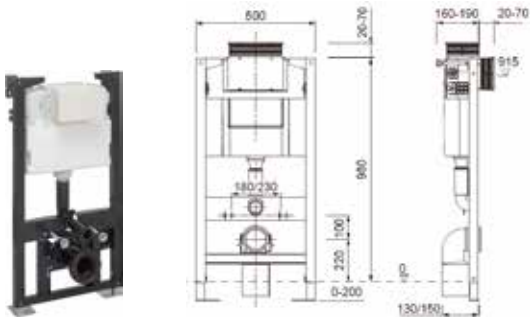
- Epoxy power coated steel frame, tested to take up to 400Kgs weight
- Large feet for easy rear fixing (specially designed for UK timber floor)
- Supplied complete with all fittings for installation
- WRAS approved dual flush cistern
- Adjustable feet with rubber sound deadening pads
- UK sized inlet and outlet pipe work
- Easy install wall brackets for vertical or horizontal fixing

WCF82X50+ | 0.82M HEIGHT WALL HUNG WC FRAME



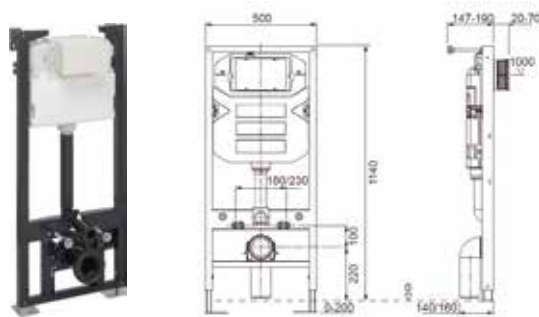
- Epoxy power coated steel frame, tested to take up to 400Kgs weight
- Large feet for easy rear fixing (specially designed for UK timber floor)
- Supplied complete with all fittings for installation
- WRAS approved dual flush cistern
- Adjustable feet with rubber sound deadening pads
- UK sized inlet and outlet pipe work
- Easy install wall brackets for vertical or horizontal fixing

WCF98X50+ | 0.98M HEIGHT WALL HUNG WC FRAME



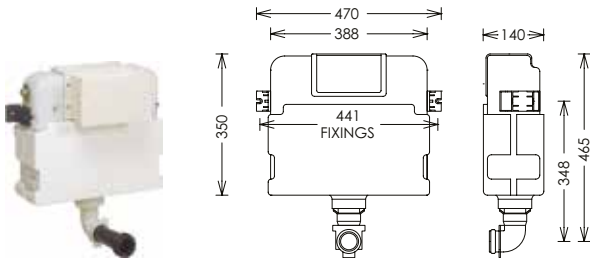
- Epoxy power coated steel frame, tested to take up to 400Kgs weight
- Large feet for easy rear fixing (specially designed for UK timber floor)
- Supplied complete with all fittings for installation
- WRAS approved dual flush cistern
- Adjustable feet with rubber sound deadening pads
- UK sized inlet and outlet pipe work
- Easy install wall brackets for vertical or horizontal fixing

WCF118X50+ | 1.18M HEIGHT WALL HUNG WC FRAME



- Epoxy power coated steel frame, tested to take up to 400Kgs weight
- Large feet for easy rear fixing (specially designed for UK timber floor)
- Supplied complete with all fittings for installation
- WRAS approved dual flush cistern
- Adjustable feet with rubber sound deadening pads
- UK sized inlet and outlet pipe work
- Easy install wall brackets for vertical or horizontal fixing

WCC47X46+ | STANDARD HEIGHT CONCEALED WC CISTERN



h 465 x d 140mm

Perfect for WC furniture surrounds

UK sized inlet and outlet pipe work

WRAS approved water saving dual flush cistern - factory set at 6/3 litre adjustable to 4.5/3litre

Front and top flush options

Simple mechanical or cable connection method to ensure high performance

Complete with accessible isolating valve

Wide selection of decorative flush plates



DECORATIVE FLUSH PLATES FEATURES & BENEFITS

Dual flush technology - use up to 50% less water

Manufactured from high impact, tough ABS

Smooth yet positive operation

Bright chrome to match taps and brassware

White chrome - minimalist style

Easy to fit

All cistern parts can be maintained easily, simply remove the flush plate to gain access



ATFLUSHC
ATOLL CHROME

w 236 x h 152mm

Mechanical operation

Chrome finish



SEFLUSHC
SVELTE CHROME

w 236 x h 152mm

Mechanical operation

Chrome finish



PIFLUSHC
PIER CHROME

w 236 x h 152mm

Mechanical operation

Chrome finish

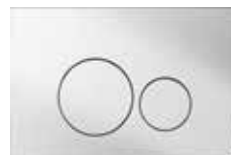


TEFLUSHC+
TEMPO CHROME

w 235 x h 151mm

Mechanical operation

Chrome finish



CEFLUSHC+
CENTRAL CHROME

w 235 x h 151mm

Mechanical operation

Chrome finish

THE TABLET

A 21st century solution for the contemporary bathroom. The TABLET is a wc furniture unit designed to maximise space, with only a 15cm projection from the back wall.

The ingenious feature is the reflective glass front. Made of hard wearing safety glass, with a gloss white backing, the Tablet is highly functional whilst, at the same time, increasing the perception of space within the bathroom. The TABLET is available in two options: a floor standing back to wall pan version, and a wall hung pan option with integrated steel frame for worry free rigidity and strength.

The WRAS approved cistern fittings are operated from a rectangular chrome flush plate cleverly situated on the top surface. The fittings feature a water saving 3 and 6 litre flush. The carcass is colour coordinated with the AquaCabinet base and wall units. Designed to provide easy access to the internal cistern for care - free maintenance and quick installation

W: 550 D: 150 H 900mm

Material: Wood

Weight: 12 kg

3 / 6 litre cistern

Dual flush plate

WRAS approved

Five coats of paint with a gloss finish

Removable top access panel

Rigid solid carcass - not flat pack

6mm safety glass on 18mm board, with reflective white finish

Please ensure that the chosen WC pan is tall enough to cover the cut out

Compliance / Approvals: EN14749:2005

The tall pan is not available as an option with the Tablet. The Tablet can only be used with a standard height pan.

FLOOR MOUNTED TABLET W35Z*

*To order the correct furniture colour simply remove the 'z' from the product code and replace it with 'W' for White, 'R' for Reef, 'B' for Black, 'G' for Anthracite Grey or 'O' for Ocean.



WALL HUNG TABLET W35Z*

Requires steel frame for wall hung WC
Code: W33A

*To order the correct furniture colour simply remove the 'z' from the product code and replace it with 'W' for White, 'R' for Reef, 'B' for Black, 'G' for Anthracite Grey or 'O' for Ocean.







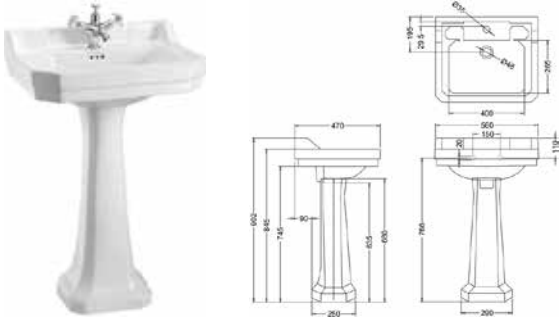
TRADITIONAL SANITARYWARE



AN OUTSTANDING COLLECTION OF SANITARYWARE

BURLINGTON BASINS WITH PEDESTALS

B41TH & P1 | EDWARDIAN 56CM BASIN WITH STANDARD PEDESTAL



Size: 560 x 470 x 900 mm

Material : Vitreous China

Weight : 30.7 kg

Overall Height : 90cm

Available with one (1TH), two (2TH) or three (3TH) tap holes

Overflow Class : 10

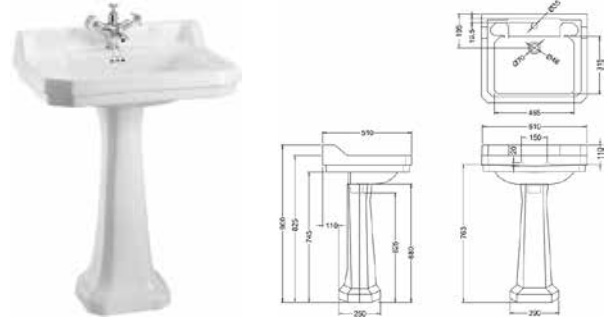
Overflow Rate : 0.1 L/s

The overflow is to solve the issue of a dripping tap if the plug is left in. It is not designed to take a flowing tap.

BS EN 14688:2006 - Sanitary appliances, Wash basins, Functional requirements & test methods

BS EN 31:2011 - Pedestal wash basins, Connecting dimensions

B51TH & P1 | EDWARDIAN 61CM BASIN AND STANDARD PEDESTAL



Size: 610 x 510 x 900 mm

Material : Vitreous China

Weight : 31.9 kg

Overall Height : 90cm

Available with one (1TH), two (2TH) or three (3TH) tap holes

Overflow Class : 10

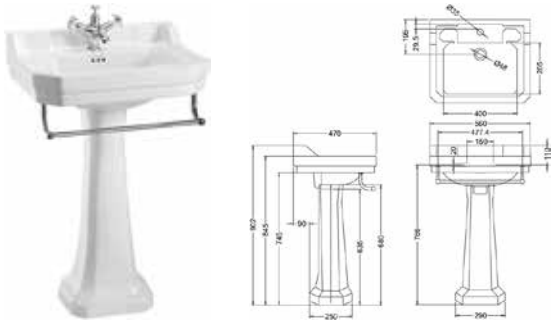
Overflow Rate : 0.1 L/s

The overflow is to solve the issue of a dripping tap if the plug is left in. It is not designed to take a flowing tap.

BS EN 14688:2006 - Sanitary appliances, Wash basins, Functional requirements & test methods

BS EN 31:2011 - Pedestal wash basins, Connecting dimensions

B41TH, P1 & T1 CHR | EDWARDIAN 56CM BASIN, TOWEL RAIL & STANDARD PEDESTAL



Size: 560 x 470 x 900 mm

Material : B4 & P1 Vitreous China; T1 Bodies are of all brass construction

Weight : 31.2 kg

Overall Height : 90cm

Available with one (1TH), two (2TH) or three (3TH) tap holes

Overflow Class : 10

Overflow Rate : 0.1 L/s

The overflow is to solve the issue of a dripping tap if the plug is left in. It is not designed to take a flowing tap.

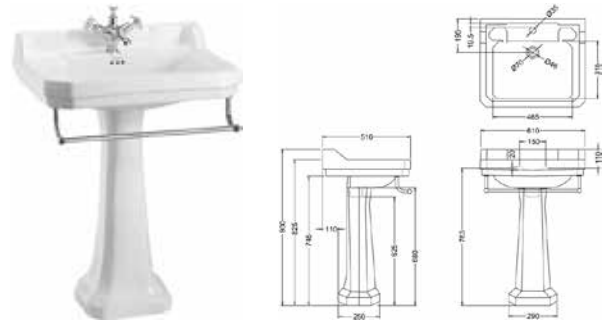
BS EN 14688:2006 - Sanitary appliances, Wash basins, Functional requirements & test methods

BS EN 31:2011 - Pedestal wash basins, Connecting dimensions

Chrome plated to BS EN248:2002

Sanitary tapware. General specification for electro deposited coatings of Ni-Cr

B51TH, P1 & T3 CHR | EDWARDIAN 61CM BASIN, TOWEL RAIL & STANDARD PEDESTAL



Size: 610 x 510 x 900 mm

Material : B5 & P1 Vitreous China; T3 Bodies are of all brass construction

Weight : 32.4 kg

Overall Height : 90cm

Available with one (1TH), two (2TH) or three (3TH) tap holes

Overflow Class : 10

Overflow Rate : 0.1 L/s

The overflow is to solve the issue of a dripping tap if the plug is left in. It is not designed to take a flowing tap.

BS EN 14688:2006 - Sanitary appliances, Wash basins, Functional requirements & test methods

BS EN 31:2011 - Pedestal wash basins, Connecting dimensions

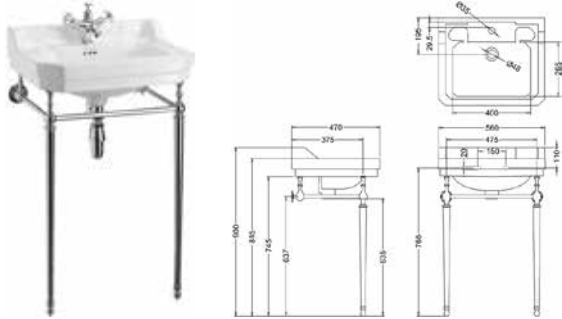
Chrome plated to BS EN248:2002

Sanitary tapware. General specification for electro deposited coatings of Ni-Cr



BURLINGTON BASINS WITH WASH STANDS

B41TH & T22A CHR | EDWARDIAN 56CM BASIN WITH BASIN STAND



Size: 560 x 470 x 900 mm

Material: B4 Vitreous China; T22A CHR Bodies are of all brass construction

Weight : 22.8 kg

Overall Height : 90cm

Available with one (1TH), two (2TH) or three (3TH) tap holes

Overflow Class : 10

Overflow Rate : 01 L/s

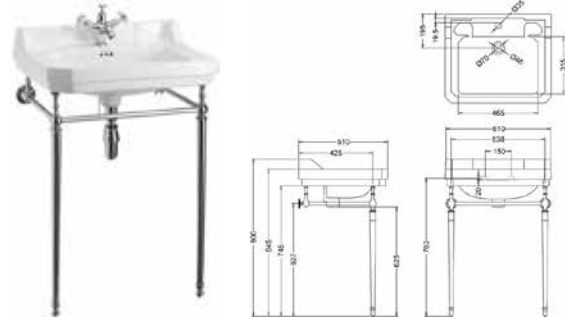
The overflow is to solve the issue of a dripping tap if the plug is left in. It is not designed to take a flowing tap.

BS EN 14688:2006 - Sanitary appliances, Wash basins, Functional requirements & test methods

BS EN 31:2011 - Pedestal wash basins, Connecting dimensions

Chrome plated to BS EN248:2002

B51TH & T23A CHR | EDWARDIAN 61CM BASIN WITH BASIN STAND



610 x 510 x 900 mm

Material : B5 Vitreous China; T23A CHR Bodies are of all brass construction

Weight : 24.1 kg

Available with one (1TH), two (2TH) or three (3TH) tap holes

Overflow Class : 10

Overflow Rate : 01 L/s

The overflow is to solve the issue of a dripping tap if the plug is left in. It is not designed to take a flowing tap.

Compliance/Approvals:

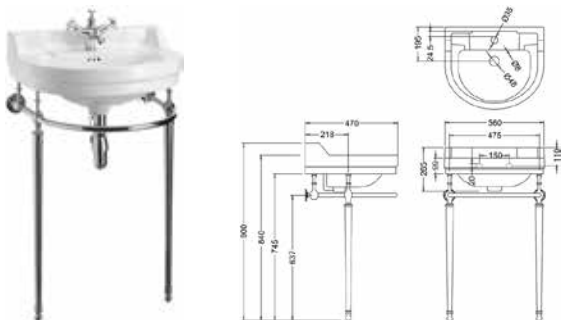
BS EN 14688:2006 - Sanitary appliances, Wash basins, Functional requirements & test methods

BS EN 31:2011 - Pedestal wash basins, Connecting dimensions

Chrome plated to BS EN248:2002

Sanitary tapware. General specification for electro deposited coatings of Ni-Cr

B61TH & T24A CHR | EDWARDIAN ROUND 56CM BASIN & BASIN STAND



560 x 470 x 900 mm

Material : B6 Vitreous China; T24A CHR Bodies are of all brass construction

Weight : 18.52 kg

Overall Height : 90cm

Available with one (1TH) or two (2TH) tap holes

Overflow Class : 10

Overflow Rate : 01 L/s

The overflow is to solve the issue of a dripping tap if the plug is left in. It is not designed to take a flowing tap.

BS EN 14688:2006 - Sanitary appliances, Wash basins, Functional requirements & test methods

BS EN 31:2011 - Pedestal wash basins, Connecting dimensions

Chrome plated to BS EN248:2002

Sanitary tapware. General specification for electro deposited coatings of Ni-Cr



BURLINGTON BASINS WITH PEDESTALS

P5 & C1 | STANDARD CLOSE COUPLED WC WITH CERAMIC LEVER FLUSH



Size: w 52 cm x h 78cm

Material : Vitreous China

Bottom inlet valve (SP5A)

Dual flush cistern fittings with ceramic lever on the right.

Press lever down for 6 litre flush and up for 3 litre flush.

P trap standard height pan.

Metal connection bracket.

Back inlet valve available as optional item (C24C).

Pan can use connected to the soil pipe back into the wall (use C29 ceramic connector) or bending down into the floor (use C26 ceramic pan connector).

BS EN 997:2012 - WC pans and WC suites with integral trap

BS EN 33:2011 - Pedestal W.C. pans with close-coupled flushing cistern. Connecting dimensions

Illustrated seat - S11 Oak (with optional A51 CHR handles)

P2/T31/C1 | LOW-LEVEL PAN WITH STANDARD LEVER CISTERN & LOW-LEVEL FLUSH PIPE KIT



Size: 510 x 740 x 1140 mm

Overall Height : max 114cm, min 96cm

P2 Low/high level pan

T31 CHR Low level flush pipe kit including flush pipes and reverse screw cistern connector

C1 Close Coupled / Low level cistern 51cm Ceramic Lever (incl. bottom entry cistern fittings)

Material : C1 & P2 Vitreous china; T31 Bodies are of all brass construction

Weight : 36.3 kg

Inlet Position Inlet is located on the base of cistern tank on the right side

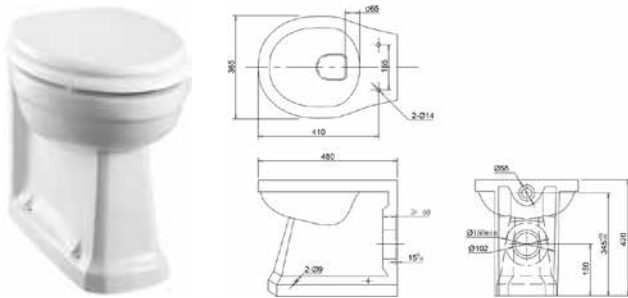
BS EN 997:2012 - WC pans and WC suites with integral trap

Chrome plated to BS EN248:2002

Sanitary tapware. General specification for electro deposited coatings of Ni-Cr

Illustrated seat - S12 Mahogany (with optional A51 CHR handles)

P14 | BACK-TO-WALL PAN



Size: 365 x 485 x 480 mm

Overall Height : 42cm

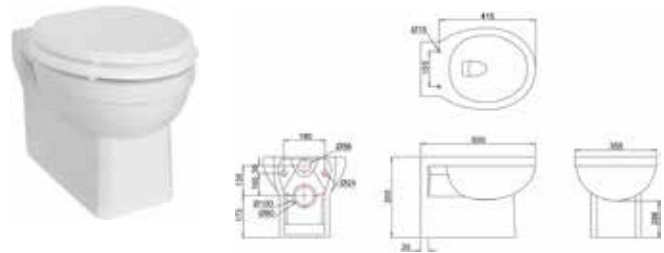
Material : Vitreous China

Weight : 191 kg

BS EN 997:2012 - WC pans and WC suites with integral trap

Illustrated seat - S13 Gloss White

P10 | WALL-HUNG PAN



Size: 365 x 500 x 355 mm

Overall Height : 35.5cm

Material : Vitreous China

Weight : 19.8 kg

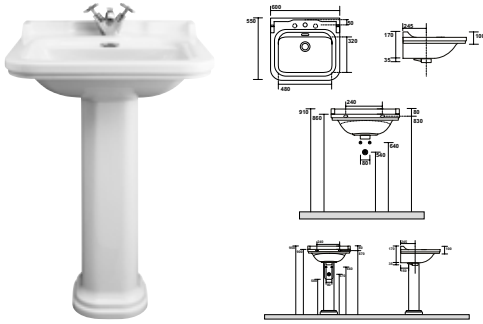
BS EN 997:2012 - WC pans and WC suites with integral trap

Illustrated seat - S13 Gloss White



WALDORF BASINS WITH PEDESTALS / CONSOLES

WF0611SCW & WF0101CW | WASHBASIN 60 SINGLE TAP HOLE BASIN & PEDESTAL



Basin size: w 600 x d 550 x h 170mm

Pedestal size: h 780mm / 220 x 220mm footprint on floor

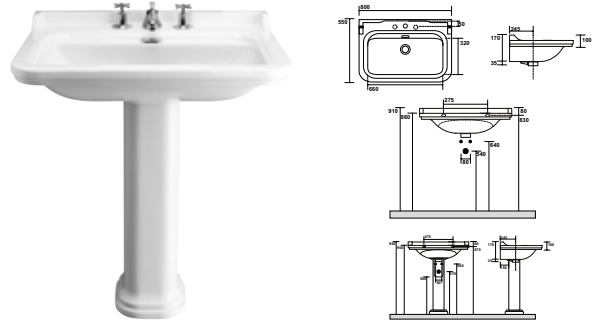
White fire-clay

Glazed all round

Wall hung or pedestal mounted

With overflow

WF0813SCW & WF0101CW | WASHBASIN 80 THREE TAP HOLE BASIN & PEDESTAL



Basin size: w 800 x d 550 x h 170mm

Pedestal size: h 780mm / 220 x 220mm footprint on floor

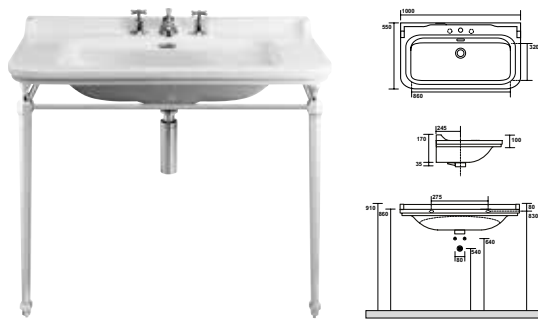
White fire-clay

Glazed all round

Wall hung or pedestal mounted

With overflow

WF1003SCW & WF100X81C | WASHBASIN 100 THREE TAP HOLE BASIN & CONSOLE



Basin size: w 1000 x d 550 x h 170mm

Console size: w 860 x d 520 x h 815mm

White fire-clay

Chrome plated aluminium

Glazed all round

Wall hung or pedestal mounted

With overflow

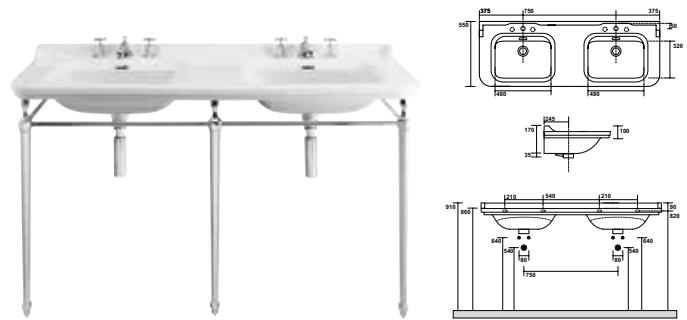
Adjustable feet & under basin plate

Secure wall fitting

Integral side and front towels rails

Simple self assembly

WF1501SCW & WF150X81C | WASHBASIN 150 THREE TAP HOLE BASIN & CONSOLE



Basin size: w 1500 x d 550 x h 170mm

Console size: w 1360 x d 520 x h 815mm

White fire-clay

Chrome plated aluminium

Glazed all round

Wall hung or pedestal mounted

With overflow

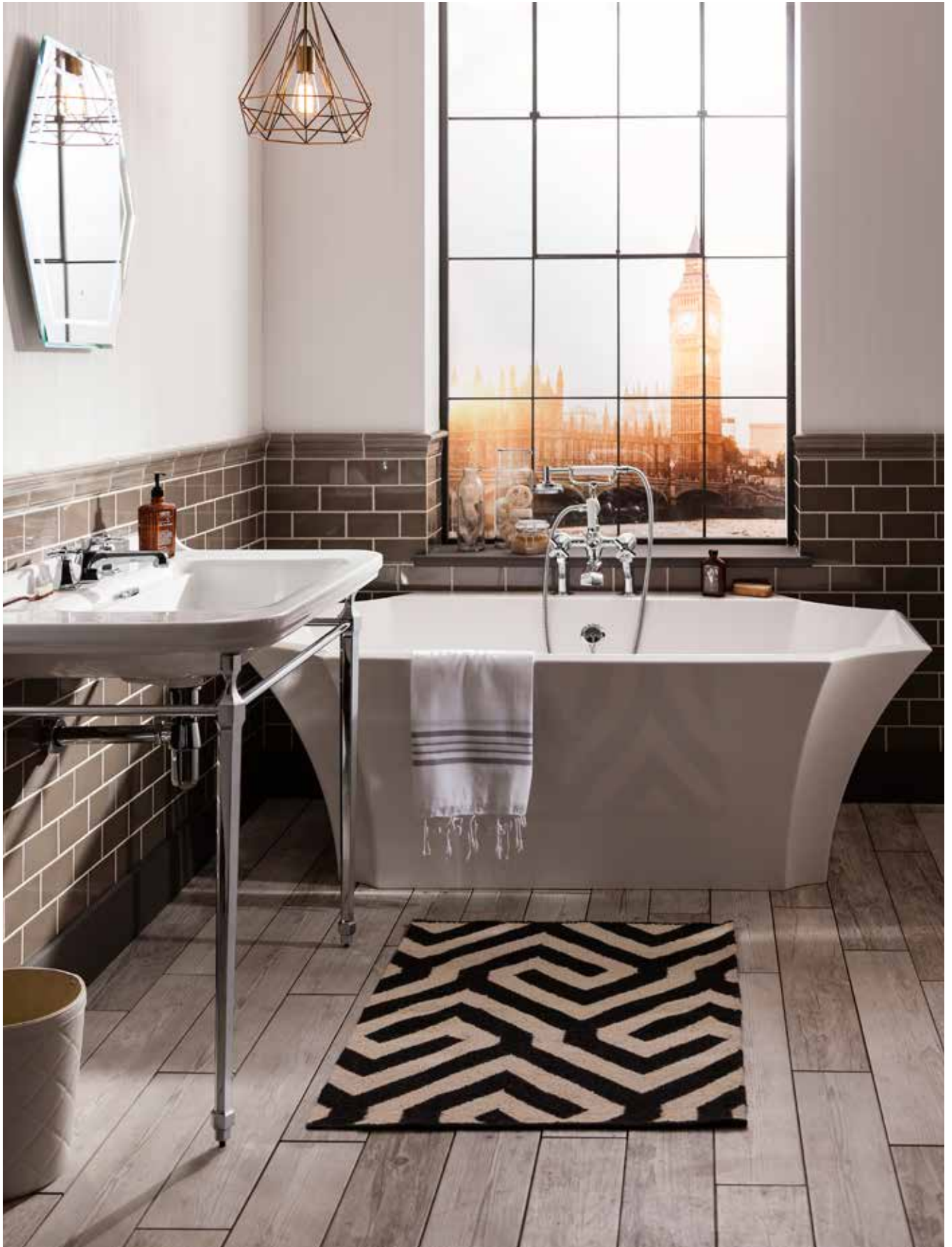
Adjustable feet & under basin plate

Secure wall fitting

Integral side and front towels rails

Simple self assembly

Waldorf
Bathroom Collection



WF6005CW, WF7005CW & WF6205W | CLOSE COUPLED WC WITH STANDARD SEAT



w 400 x d 680 x h 420mm

Shorter projection

Complete with floor fittings

Dual flush Geberit mechanism 6/3 litre

Chrome plated adjustable hinges

Upgrade to luxury seat WF6105W

WF6007CW & WF6205W | BACK TO WALL WC WITH STANDARD SEAT



w 760 x d 550 x h 420mm

Will flush at ECO-saving 3/4.5L

Complete with floor fittings

Requires concealed cistern

Chrome plated adjustable hinges

Upgrade to luxury seat WF6105W

WF6006CW & WF6205W | WALL HUNG WC WITH STANDARD SEAT



w 370 x d 550 x h 335mm

Will flush at ECO-saving 3/4.5L

Complete with wall frame fittings

Requires installation frame/cistern

Chrome plated adjustable hinges

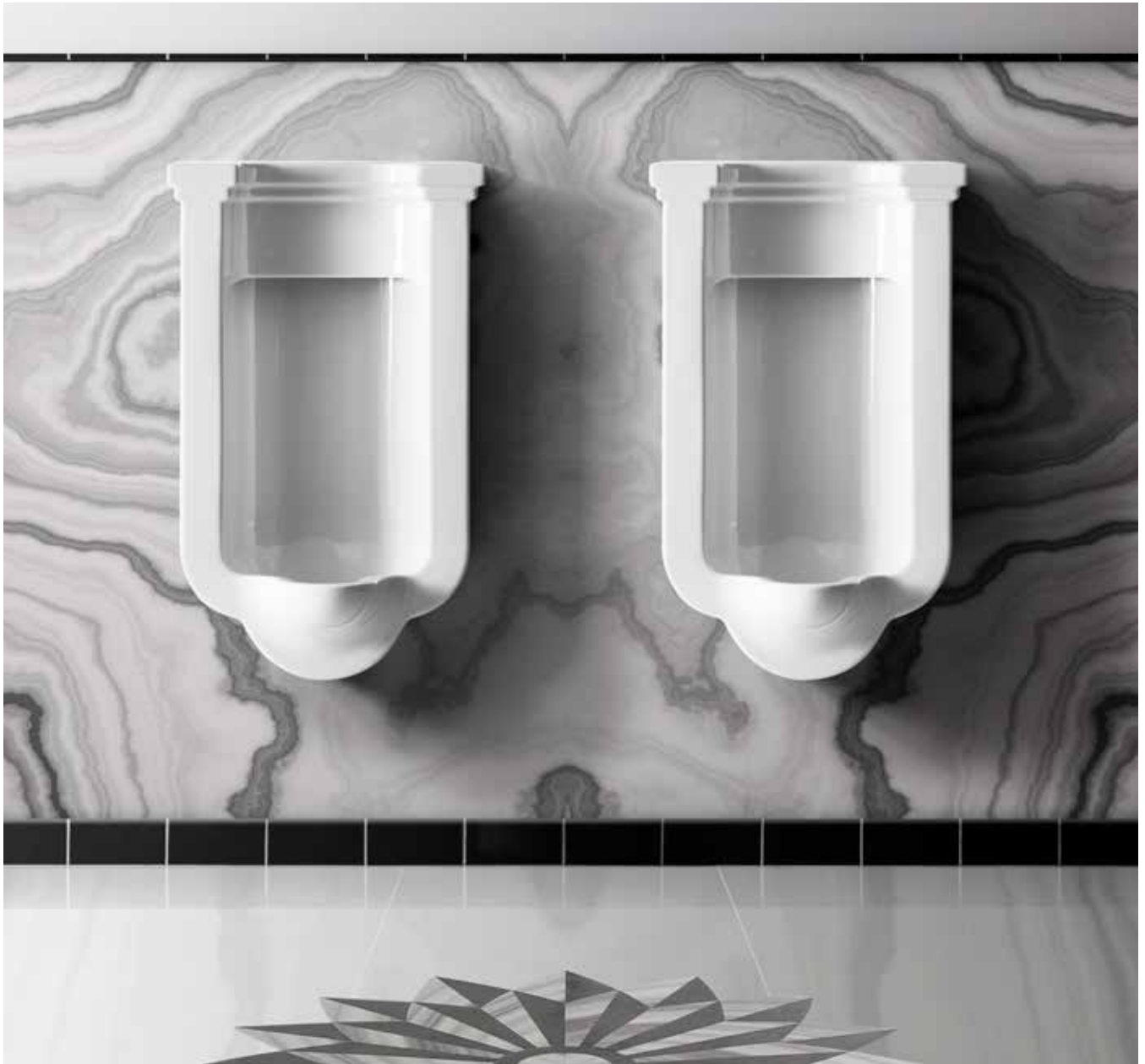
Upgrade to luxury seat WF6105W

WF4001SCW | WALL HUNG URINAL



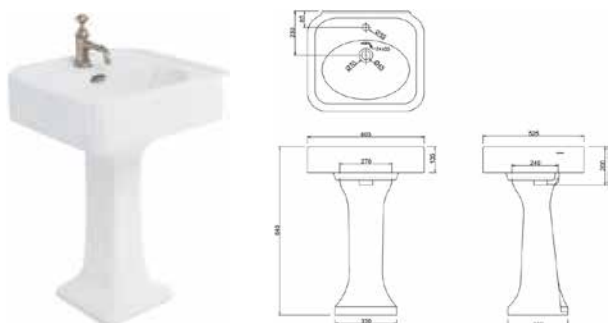
w 440 x d 240/370 (370mm is depth to front of dish front) x h 690mm

Complete with concealed wall fixing system and waste



ARCADE BASINS

ARC600 1TH & ARC1 | 600MM BASIN WITH NICKEL OVERFLOW & PEDESTAL



Basin size: w 605 x d 520mm

Overall dimensions: 525 x 605 x 840 mm

Material: Vitreous China

Weight: 32.8 kg

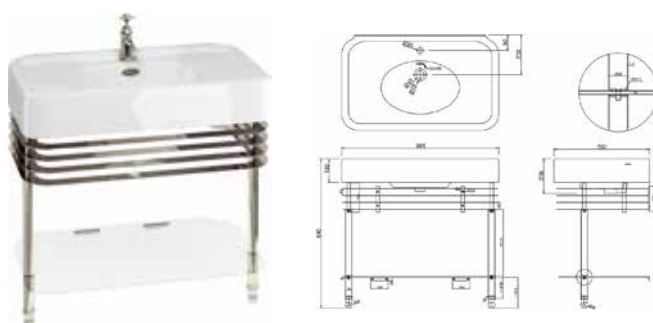
Available with 0, one (1TH), two (2TH) or three (3TH) tap holes

The overflow is to solve the issue of a dripping tap if the plug is left in. It is not designed to take a flowing tap.

BS EN 14688:2006 - Sanitary appliances, Wash basins, Functional requirements & test methods

BS EN 31:2011 - Pedestal wash basins, Connecting dimensions

ARC23 & ARC900 1TH | 900MM BASIN WITH NICKEL OVERFLOW & BASIN STAND



Material: ARC900 Vitreous China; ARC23 Bodies are of all stainless steel construction

Basin size: w 905 x d 550mm

Overall dimensions: 550 x 905 x 840mm

Weight: 54.3 kg

Available with 0, one (1TH), two (2TH) or three (3TH) tap holes

The overflow is to solve the issue of a dripping tap if the plug is left in. It is not designed to take a flowing tap.

BS EN 14688:2006 - Sanitary appliances, Wash basins, Functional requirements & test methods

BS EN 31:2011 - Pedestal wash basins, Connecting dimensions

Nickel plated to BS EN248:2009

Sanitary tapware. General specification for electro deposited coatings of Ni

ARC1200 1TH & ARC2 | 1200MM BASIN WITH NICKEL OVERFLOW & CERAMIC CONSOLE LEGS



Material: Vitreous China

Basin size: w 1215 x d 560mm

Overall dimension: 560 x 1215 x 840mm

Weight: 44.9 kg

Overall height: 84cm

Available with 0, one (1TH), two (2TH) or three (3TH) tap holes

The overflow is to solve the issue of a dripping tap if the plug is left in. It is not designed to take a flowing tap.

BS EN 14688:2006 - Sanitary appliances, Wash basins, Functional requirements & test methods

BS EN 31:2011 - Pedestal wash basins, Connecting dimensions

BICY1, ARC15, ARC600 3TH | PASHLEY BICYCLE WITH 600MM BASIN & TAP



Size: 1794 x 598 x 1100mm

Shelf not included

Material: ARC600 3TH Vitreous China, ARC15 Brass

Available with 0, one (1TH), two (2TH) or three (3TH) tap holes

Weight: 22.5 kg

Overflow Class: 20

Overflow rate: 0.20 L/s

Additional Information

The overflow is to solve the issue of a dripping tap if the plug is left in. It is not designed to take a flowing tap.

BS EN 14688:2006 - Sanitary appliances, Wash basins, Functional requirements & test methods

BS EN 31:2011 - Pedestal wash basins, Connecting dimensions

A R C A D E



ARC3 & ARC5 | OPEN BACK CLOSE-COUPLED PAN & DUAL FLUSH CISTERN - NICKEL



Overall dimensions: 500 x 665 x 885mm

Material: Vitreous china

Weight: 25.7 kg

Overall height: 88.5cm

BS EN 33:2011 - Pedestal W.C. pans with close-coupled flushing cistern. Connecting dimensions

BS EN 997:2012 - WC pans and WC suites with integral trap

Illustrated seat - S13 Gloss White (with optional A51 CHR handles)

ARC4 & ARC5 | FULL BACK-TO-WALL CLOSE COUPLED PAN & DUAL FLUSH CISTERN - NICKEL



Overall dimensions: 500 x 670 x 885mm

Material: Vitreous china

Weight: 33.2 kg

BS EN 33:2011 - Pedestal W.C. pans with close-coupled flushing cistern. Connecting dimensions

BS EN 997:2012 - WC pans and WC suites with integral trap

Illustrated seat - S13 Gloss White (with optional A51 CHR handles)

ARC6 | BACK-TO-WALL PAN - NICKEL



Material: Vitreous china

Weight: 24.5 kg

Overall dimensions: 365 x 520 x 460mm

BS EN 997:2012 - WC pans and WC suites with integral trap

Illustrated seat - S13 Gloss White (with optional A51 CHR handles)

A R C A D E





SHOWER ENCLOSURES



A OUTSTANDING RANGE OF SHOWER ENCLOSURES



DESIGN WALK IN PANEL

- Silver finish frame
- Semi-frameless modern design
- 8mm fixed panel
- 15mm adjustment for easy fitting
- Reversible design
- Simpsons Clear as standard
- Lifetime guarantee
- Return panel available (see picture 14:2)

Width	Door Entry Width	Adjustment	Height	Product Code
300mm	N/A	242 - 257	1950	DSPSC0300
400mm	N/A	342 - 357	1950	DSPSC0400
500mm	N/A	442 - 457	1950	DSPSC0500
600mm	N/A	542 - 557	1950	DSPSC0600
700mm	N/A	642 - 657	1950	DSPSC0700
760mm	N/A	708 - 723	1950	DSPSC0760
800mm	N/A	742 - 757	1950	DSPSC0800
900mm	N/A	842 - 857	1950	DSPSC0900
1000mm	N/A	942 - 957	1950	DSPSC1000
1100mm	N/A	1042 - 1057	1950	DSPSC1100
1200mm	N/A	1142 - 1157	1950	DSPSC1200
1400mm	N/A	1342 - 1357	1950	DSPSC1400



DESIGN WALK IN EASY ACCESS

- 8mm toughened glass
- 15mm adjustment for easy fitting
- Reversible design
- Suitable for wetroom application
- Silver finish frame
- Semi-frameless modern design
- Folding panel for easy access
- Frameless door
- Floor or tray mounted
- Simpsons Clear as standard
- Lifetime guarantee

Width	Door Entry Width	Adjustment	Height	Product Code
1000mm 700mm (fixed panel) 300mm (hinged panel)	670	1000 - 1015	1950	DWQSC1400
1200mm 900mm (fixed panel) 300mm (hinged panel)	770	1200 - 1215	1950	DWQSC1700


DESIGN HINGED DOOR WITH INLINE PANEL

- 6mm glass hinged door
- 8mm glass fixed panel
- 25mm adjustment for easy fitting
- Reversible design
- Powershower proof
- Silver finish frame
- Semi-frameless modern design
- Frameless hinged door
- Simpsons Clear as standard
- Lifetime guarantee

Width	Door Entry Width	Adjustment	Height	Product Code
700mm	440	670 - 695 658 - 673*	1950	DHDSC0700
760mm	500	730 - 755 718 - 733*	1950	DHDSC0760
800mm	540	770 - 795 758 - 773*	1950	DHDSC0800
900mm	590	870 - 895 858 - 873*	1950	DHDSC0900
1000mm	590	970 - 995 958 - 973*	1950	DHDSC1000
1100mm	640	1070 - 1095 1058 - 1073*	1950	DHDSC1100
1200mm	640	1170 - 1195 1158 - 1173*	1950	DHDSC1200


DESIGN SIDE PANEL

- 8mm glass fixed panel
- 25mm adjustment for easy fitting
- Reversible design
- Powershower proof
- Silver finish frame
- Semi-frameless modern design
- Simpsons Clear as standard
- Lifetime guarantee

Width	Door Entry Width	Adjustment	Height	Product Code
700mm	N/A	675 - 690	1950	DSPSC0700
760mm	N/A	735 - 750	1950	DSPSC0760
800mm	N/A	775 - 790	1950	DSPSC0800
900mm	N/A	875 - 890	1950	DSPSC0900
1000mm	N/A	975 - 990	1950	DSPSC1000
1100mm	N/A	1075 - 1090	1950	DSPSC1100
1200mm	N/A	1175 - 1190	1950	DSPSC1200
1400mm	N/A	1375 - 1390	1950	DSPSC1400



DESIGN DOUBLE SIDED WALK IN ENCLOSURE

- 8mm toughened glass
- 15mm adjustment for easy fitting per panel
- Reversible design
- Silver finish frame
- Semi-frameless modern design
- Tray mounted only (designed to only fit Simpsons 35mm trays)
- Simpsons Clear as standard
- Lifetime guarantee

Tray Size	Door Entry Width	Adjustment	Height	Product Code
1400 x 900mm 318 (return panel)	542	805 - 820	1950	DWDSC1400
1700 x 800mm 218 (return panel)	542	1105 - 1120	1950	DWDSC1700



DESIGN SINGLE SLIDER

- 8mm toughened glass
- 15mm adjustment for easy fitting
- Reversible design
- Soft close action
- Powershower proof
- Silver finish frame
- Semi-frameless modern design
- Simpsons Clear as standard
- Lifetime guarantee

Width	Door Entry Width	Adjustment	Height	Product Code
1100mm	439	1060 - 1085	1950	DSLSC1100
1200mm	489	1160 - 1185	1950	DSLSC1200
1400mm	589	1360 - 1385	1950	DSLSC1400
1600mm	689	1560 - 1585	1950	DSLSC1600
1700mm	739	1660 - 1685	1950	DSLSC1700



PIER HINGED DOOR

Simpsons Clear as standard

8mm toughened glass

30mm adjustment for easy fitting

Reversible design

Powershower proof

Stainless Steel finish

Outward opening

Lifetime guarantee

Width	Door Entry Width	Adjustment	Height	Product Code
Hinged Doors				
800mm	660	765 - 795 770 - 795*	2000	PHDSC0800
900mm	760	720 - 750 870 - 895*	2000	PHDSC0900
Side Panels				
800mm	N/A	770 - 795	1980	PSPSC0800
900mm	N/A	870 - 895	1980	PSPSC0900
1000mm	N/A	975 - 990	1980	PSPSC1000

Installation Kit required when purchasing Inline and/or Side Panel PIERBRACE



PIER SINGLE SLIDER

Simpsons Clear as standard

8mm toughened glass sliding door

8mm toughened glass fixed panel

25mm adjustment for easy fitting

Reversible design

Powershower proof

Stainless Steel finish

Frameless sliding door

Lifetime guarantee

Width	Door Entry Width	Adjustment	Height	Product Code
1200mm	489	1170 - 1195	2000	PSLSC1200
1400mm	589	1370 - 1395	2000	PSLSC1400
1600mm	689	1570 - 1595	2000	PSLSC1600

Please note. Door entry widths change if using a side panel or the optional closing profile, contact Simpsons for more information.

For between walls situations Optional Closing Profile PIERMAGNET



EDGE PIVOT DOOR & SIDE PANEL

6mm toughened glass pivot door

Powershower proof

Reversible design

30mm adjustment for easy fitting

Silver finish frame

Simpsons Clear as standard

Lifetime guarantee

Width	Door Entry Width	Adjustment	Height	Product Code
Pivot Doors				
700mm	477	660 - 690	1950	EPDSC0700
760mm	506	720 - 750	1950	EPDSC0760
800mm	546	760 - 790	1950	EPDSC0800
900mm	646	860 - 890	1950	EPDSC0900
1000mm	646	960 - 990	1950	EPDSC1000
Side Panels				
700mm	N/A	675 - 690	1950	ESPSC0700
760mm	N/A	735 - 750	1950	ESPSC0760
800mm	N/A	775 - 790	1950	ESPSC0800
900mm	N/A	875 - 890	1950	ESPSC0900
1000mm	N/A	975 - 990	1950	ESPSC1000



EDGE INFOLD DOOR & SIDE PANEL

6mm toughened glass pivot door

30mm adjustment for easy fitting

Reversible design

Powershower proof

Silver finish frame

Simpsons Clear as standard

Lifetime guarantee

Width	Door Entry Width	Adjustment	Height	Product Code
Infold Doors				
700mm	495	660 - 690	1950	EIDSC0700
760mm	555	720 - 750	1950	EIDSC0760
800mm	595	760 - 790	1950	EIDSC0800
900mm	695	860 - 890	1950	EIDSC0900
1000mm	791	960 - 990	1950	EIDSC1000
Side Panels				
700mm	N/A	675 - 690	1950	ESPSC0700
760mm	N/A	735 - 750	1950	ESPSC0760
800mm	N/A	775 - 790	1950	ESPSC0800
900mm	N/A	875 - 890	1950	ESPSC0900
1000mm	N/A	975 - 990	1950	ESPSC1000



EDGE BIFOLD DOOR & SIDE PANEL

6mm toughened glass folding doors

Powershower proof

Reversible design

30mm adjustment for easy fitting

Silver finish frame

Simpsons Clear as standard

Lifetime guarantee

Width	Door Entry Width	Adjustment	Height	Product Code
Bifold Doors				
700mm	455	660 - 690	1950	EBFSC0700
760mm	455	720 - 750	1950	EBFSC0760
800mm	495	760 - 790	1950	EBFSC0800
900mm	595	860 - 890	1950	EBFSC0900
1000mm	665	960 - 990	1950	EBFSC1000

Side Panels

700mm	N/A	675 - 690	1950	ESPSC0700
760mm	N/A	735 - 750	1950	ESPSC0760
800mm	N/A	775 - 790	1950	ESPSC0800
900mm	N/A	875 - 890	1950	ESPSC0900
1000mm	N/A	975 - 990	1950	ESPSC1000



EDGE SINGLE SLIDER & SIDE PANEL

8mm toughened glass sliding door

Powershower proof

Reversible design

30mm adjustment for easy fitting

Silver finish frame

Simpsons Clear as standard

Lifetime guarantee

Width	Door Entry Width	Adjustment	Height	Product Code
Single Slider				
1000mm	393	960 - 990	1950	ESLSC1000
1100mm	443	1060 - 1090	1950	ESLSC1100
1200mm	493	1160 - 1190	1950	ESLSC1200
1400mm	593	1360 - 1390	1950	ESLSC1400
1500mm	643	1460 - 1490	1950	ESLSC1500
1600mm	643	1560 - 1590	1950	ESLSC1600

Side Panels

700mm	N/A	675 - 690	1950	ESPSC0700
760mm	N/A	735 - 750	1950	ESPSC0760
800mm	N/A	775 - 790	1950	ESPSC0800
900mm	N/A	875 - 890	1950	ESPSC0900
1000mm	N/A	975 - 990	1950	ESPSC1000



EDGE QUADRANT SINGLE DOOR

6mm toughened glass sliding door

15mm adjustment for easy fitting per panel

Reversible design

Powershower proof

Silver finish frame

Simpsons Clear as standard

Lifetime guarantee

Width	Door Entry Width	Adjustment	Height	Product Code
800mm	480	770 - 785	1950	EQSSC0800
900mm	480	870 - 885	1950	EQSSC0900
1000mm	480	970 - 985	1950	EQSSC1000
1000 x 800mm	480	970 - 985 x 770 - 785	1950	EQSSC10X8
1200 x 800mm	480	1170 - 1185 x 770 - 785	1950	EQSSC12X8
1200 x 900mm	480	1170 - 1185 x 870 - 885	1950	EQSSC12X9



EDGE QUADRANT DOUBLE DOOR

6mm toughened glass sliding doors

15mm adjustment for easy fitting per panel

Powershower proof

Silver finish frame

Simpsons Clear as standard

Lifetime guarantee

Width	Door Entry Width	Adjustment	Height	Product Code
800mm	450	770 - 785	1950	EQDSC0800
900mm	540	870 - 885	1950	EQDSC0900
1000mm	540	970 - 985	1950	EQDSC1000
1200 x 800mm	452	1170 - 1185 x 770 - 785	1950	EQDSC12X8
1200 x 900mm	545	1170 - 1185 x 870 - 885	1950	EQDSC12X9





ELITE HINGED DOOR & SIDE PANEL

Simpsons Clear as standard

8mm toughened glass

40mm adjustment for easy fitting

Reversible design

Powershower proof

Bright chrome plated profile finish

Outward opening

Optional mirrored glass side panels available

Lifetime guarantee

800mm and 900mm sizes available in Polished Nickel

Width	Door Entry Width	Adjustment	Height	Product Code
Hinged Door				
800mm	647	750 - 790	1950	LHDSC0800
900mm	747	850 - 890	1950	LHDSC0900
Side Panels				
760mm*	N/A	720 - 740	1950	LSPSC0760
800mm	N/A	760 - 780	1950	LSPSC0800
900mm	N/A	860 - 880	1950	LSPSC0900



ELITE SINGLE SLIDER & SIDE PANEL

Simpsons Clear as standard

8mm toughened glass sliding door

6mm toughened glass fixed panel

40mm adjustment for easy fitting

Reversible design

Powershower proof

Bright chrome plated profile finish

Frameless sliding door

Lifetime guarantee

1200mm and 1400mm sizes available in Polished Nickel

Width	Door Entry Width	Adjustment	Height	Product Code
Single Slider				
1200mm	475	1150 - 1190	1950	LSLSC1200
1400mm	575	1350 - 1390	1950	LSLSC1400
1700mm	725	1650 - 1690	1950	LSLSC1700
Side Panels				
700mm	N/A	660 - 680	1950	LSPSC0700
760mm*	N/A	720 - 740	1950	LSPSC0760
800mm	N/A	760 - 780	1950	LSPSC0800
900mm	N/A	860 - 880	1950	LSPSC0900



ELITE WALK IN EASY ACCESS

Simpsons Clear as standard

6mm toughened glass sliding doors

15mm adjustment for easy fitting per panel

Reversible design

Powershower proof

Silver finish frame

Lifetime guarantee

Width	Door Entry Width	Adjustment	Height	Product Code
1050mm 689mm (fixed panel) 346mm (hinged panel)	N/A	1050 - 1065	2000	LWESC1050
1250mm 889mm (fixed panel) 346mm (hinged panel)	N/A	1250 - 1265	2000	LWESC1250
1450mm 1089mm (fixed panel) 346mm (hinged panel)	N/A	1450 - 1465	2000	LWESC1450



ELITE SINGLE DOOR QUADRANT

Simpsons Clear as standard

8mm toughened glass sliding door

6mm toughened glass fixed panel

40mm adjustment for easy fitting

Powershower proof

Bright chrome plated profile finish

Frameless door

Lifetime guarantee

900mm size available in Polished Nickel

Width	Door Entry Width	Adjustment	Height	Product Code
900mm	460	860 - 880 (20mm per panel)	1950	LQSSC0900
1000 x 800mm	460	960-980 x 760-780 (20mm per panel)	1950	LQSSC10X8
1200 x 800mm	460	1160-1180 x 760-780 (20mm per panel)	1950	LQSSC12X8
1200 x 900mm	460	1160-1180 x 860-880 (20mm per panel)	1950	LQSSC12X9



TEN HINGED DOOR WITH INLINE PANEL & SIDE PANEL

- 10mm toughened glass
- 30mm adjustment for easy fitting
- Reversible design
- Powershower proof
- Silver finish frame
- Frameless hinged door
- Floor or tray mounted
- Simpsons Clear as standard
- Lifetime guarantee

Width	Door Entry Width	Adjustment	Height	Product Code
Hinged Door with Inline Panel				
800mm	500	770 - 800 750 - 765*	1950	THDSC0800
900mm	600	870 - 900 850 - 865*	1950	THDSC0900
1000mm	600	970 - 1000 950 - 965*	1950	THDSC1000
1200mm	492	1170 - 1200**	1950	THDSC1200
1400mm	692	1370 - 1400**	1950	THDSC1400

Side Panels

See below for sizes



TEN SINGLE SLIDER & SIDE PANEL

- 10mm toughened glass
- 30mm adjustment for easy fitting
- Reversible design
- Powershower proof
- Silver finish frame
- Frameless sliding door
- Floor or tray mounted
- Simpsons Clear as standard
- Lifetime guarantee

Width	Door Entry Width	Adjustment	Height	Product Code
Single Slider				
1200mm	475	1160 - 1190	1950	TSLSC1200
1400mm	557	1360 - 1390	1950	TSLSC1400
1600mm	637	1560 - 1590	1950	TSLSC1600
1700mm	637	1660 - 1690	1950	TSLSC1700

Side Panels

800mm	N/A	775 - 790	1950	TSPSC0800
900mm	N/A	875 - 890	1950	TSPSC0900
1000mm	N/A	975 - 990	1950	TSPSC1000
1200mm	N/A	1175 - 1190	1950	TSPSC1200


TEN SINGLE FIXED PANEL

10mm toughened glass

Left or right sided panels

Floor or tray mounted

Silver finish frame

With glass to wall fixings

Simpsons Clear as standard

Lifetime guarantee

Width	Door Entry Width	Adjustment	Height	Product Code
300mm	N/A	291-300	2000	1030300
400mm	N/A	391-400	2000	1030400
500mm	N/A	491-500	2000	1030500
600mm	N/A	591-600	2000	1030600
700mm	N/A	691-700	2000	1030700
800mm	N/A	791-800	2000	1030800
900mm	N/A	891-900	2000	1030900
1000mm	N/A	991-1000	2000	10301000
1100mm	N/A	1091-1100	2000	10301100
1200mm	N/A	1191-1200	2000	10301200

For panels 900mm and above RMCP67110 bracing bar must be used


TEN QUADRANT DOUBLE DOOR

10mm toughened glass

15mm adjustment for easy fitting per panel

Powershower proof

Silver finish frame

Simpsons Clear as standard

Lifetime guarantee

Width	Door Entry Width	Adjustment	Height	Product Code
900mm	540	875 - 890 (15mm per panel)	1950	TQDSC0900
1000mm	540	975 - 990 (15mm per panel)	1950	TQDSC1000



BATH SCREENS



A COMPREHENSIVE RANGE OF BATH SCREENS



DESIGN SINGLE BATH SCREEN

6mm toughened glass bath screen

20mm adjustment for easy fitting

Reversible design

Powershower proof

Silver finish frame

Semi-frameless modern design

Frameless bath screen

Simpsons Clear as standard

Lifetime guarantee

Width	Hinged Panel Width	Adjustment	Height	Product Code
850mm	N/A	850 - 870	1500	DBSSC0850

DESIGN SINGLE BATH SCREEN WITH TOWEL RAIL

850mm	N/A	850 - 870	1500	DBSSC0850+TR
-------	-----	-----------	------	--------------

Screen rotates through 180°



DESIGN DOUBLE BATH SCREEN - OUTWARD OPENING

6mm toughened glass outward opening bath screen

20mm adjustment for easy fitting

Reversible design

Powershower proof

Silver finish frame

Semi-frameless modern design

Frameless outward opening bath screen

Simpsons Clear as standard

Lifetime guarantee

Width	Hinged Panel Width	Adjustment	Height	Product Code
1060mm	N/A	1060 - 1080	1500	DBVSC1060

Screen rotates through 180° opening inwards and outwards



DESIGN DOUBLE BATH SCREEN - DUAL INWARD OPENING

6mm toughened glass dual inward opening bath screen

20mm adjustment for easy fitting

Reversible design

Powershower proof

Silver finish frame

Semi-frameless modern design

Frameless dual inward opening bath screen

Simpsons Clear as standard

Lifetime guarantee

Width	Hinged Panel Width	Adjustment	Height	Product Code
1060mm	N/A	1060 - 1080	1500	DBDSC1060

First panel fixed, second panel rotates through 270°



DESIGN TRIPLE BATH SCREEN

6mm toughened glass bath screen

20mm adjustment for easy fitting

Reversible design

Powershower proof

Frameless bath screen

Silver finish frame

Semi-frameless modern design

Simpsons Clear as standard

Lifetime guarantee

Width	Hinged Panel Width	Adjustment	Height	Product Code
1500mm	N/A	1500 - 1520	1500	DBTSC1500

First panel fixed, second panel rotates through 270°



TEN HINGED BATH SCREEN

10mm toughened glass hinged bath screen

15mm adjustment for easy fitting

Reversible design

Powershower proof

Silver finish frame

Frameless hinged bath screen

Outward opening only

Simpsons Clear as standard

Lifetime guarantee

Width	Hinged Panel Width	Adjustment	Height	Product Code
900mm	647	900 - 915	1500	TBSC0900



ELITE HINGED BATH SCREEN

8mm toughened glass hinged bath screen

20mm adjustment for easy fitting

Reversible design

Powershower proof

Bright polished chrome finish frame

Frameless hinged bath screen

Outward opening only

Simpsons Clear as standard

Lifetime guarantee

Available in Polished Nickel ARC45

Width	Hinged Panel Width	Adjustment	Height	Product Code
900mm	N/A	870 - 890	1500	LBSSC0900



EASY REACH BATH SCREEN

- _____ Simpsons Clear as standard
- _____ Hinged door to access panel
- _____ 6mm toughened glass
- _____ 15mm adjustment for easy fitting
- _____ Fast installation wall channels
- _____ Reversible design
- _____ Powershower proof
- _____ Silver profile finish
- _____ Lifetime guarantee

Width	Adjustment	Height	Product Code
850mm	850 - 865	1450	NBDC0850



CLICK SINGLE BATH SCREEN

- _____ Simpsons Clear as standard
- _____ "Click" profile system
- _____ 6mm toughened glass
- _____ 20mm adjustment for easy fitting
- _____ Fast installation wall channels
- _____ Reversible design
- _____ Powershower proof
- _____ Silver profile finish
- _____ Lifetime guarantee

Width	Adjustment	Height	Product Code
800mm	800 - 820	1500	NBSSC0800



BATH SCREEN

Finishes: Aluminum alloy surface anodized

Material: Aluminum alloy profile with safety glass

Weight: 26 kg

Glass thickness: 8mm

Safety glass with 3M™ Easy Clean Coating

Screen opens outwards only

Compliance / Approvals: BS EN14428:2004 Shower enclosures. Functional requirements and test methods

Safety Glass : BS EN 12150-1:2000

Glass in building. Thermally toughened soda lime silicate safety glass. Definition and description

Width	Height	Product Code
850mm	1450mm	C9



BATH SCREEN WITH ACCESS PANEL

Finishes: Aluminum alloy surface anodized

Material: Aluminum alloy profile with safety glass

Weight: 27 kg

Glass thickness: 8mm

Safety glass with 3M™ Easy Clean Coating

Screen opens outwards only

Compliance / Approvals: BS EN14428:2004 Shower enclosures. Functional requirements and test methods

Safety Glass : BS EN 12150-1:2000

Glass in building. Thermally toughened soda lime silicate safety glass. Definition and description

Width	Height	Product Code
850mm	1450mm	C10





SHOWER TRAYS



A COMPREHENSIVE RANGE OF SHOWER TRAYS

SIMPSONS 25MM STONE RESIN SHOWER TRAYS

RECTANGULAR 25MM STONE RESIN SHOWER TRAY & WASTE



SLOR7001200	700 x 1200 x 25mm*	SLOR81500	800 x 1500 x 25mm
SLOR7001700	700 x 1700 x 25mm	SLOR81600	800 x 1600 x 25mm
SLOR71000	760 x 1000 x 25mm*	SLOR81700	800 x 1700 x 25mm
SLOR71200	760 x 1200 x 25mm	SLOR91000	900 x 1000 x 25mm
SLOR71400	760 x 1400 x 25mm*	SLOR91100	900 x 1100 x 25mm
SLOR71500	760 x 1500 x 25mm*	SLOR91200	900 x 1200 x 25mm
SLOR71600	760 x 1600 x 25mm*	SLOR91400	900 x 1400 x 25mm
SLOR71700	760 x 1700 x 25mm*	SLOR91500	900 x 1500 x 25mm
SLOR81000	800 x 1000 x 25mm	SLOR91600	900 x 1600 x 25mm
SLOR81100	800 x 1100 x 25mm	SLOR91700	900 x 1700 x 25mm
SLOR81200	800 x 1200 x 25mm		
SLOR81400	800 x 1400 x 25mm		

*Manufactured to order, please allow 5-7 day lead time.

SQUARE 25MM STONE RESIN SHOWER TRAY & WASTE



SL000S900	900 x 900 x 25mm
SL000S800	800 x 800 x 25mm

QUADRANT 25MM STONE RESIN SHOWER TRAY & WASTE



SL000Q900	900 x 900 x 25mm
SL000Q800	800 x 800 x 25mm

OFFSET QUADRANT 25MM STONE RESIN SHOWER TRAY & WASTE



SLQ81000L	800 x 1000 x 25mm (L)
SLQ81000R	800 x 1000 x 25mm (R)
SLQ81200L	800 x 1200 x 25mm (L)
SLQ81200R	800 x 1200 x 25mm (R)
SLQ91200L	900 x 1200 x 25mm (L)
SLQ91200R	900 x 1200 x 25mm (R)

All wastes are positioned centrally.



STONE RESIN SHOWER TRAY FEATURES

100% natural stone resin

25mm ultra low profile

The minimalist ultra stylish Slab tray is manufactured by hand in the UK from the finest natural materials

The Slab is load bearing and is installed the same way as any standard stone resin shower tray

Bespoke 90mm easy clean waste and stainless steel cover is supplied as standard for the ultimate minimal look, delivering upto 33 litres a minute drainage

For fitting on concrete or wooden floors (comprehensive fitting instructions included)

A tough gel coat smooth surface, durable, repairable and easy clean

Waste included

Lifetime guarantee

SIMPSONS 25MM STONE RESIN SHOWER TRAYS WITH LINEAR WASTE

RECTANGULAR 25MM STONE RESIN SHOWER TRAY WITH LINEAR WASTE



LNOR81000	800 x 1000mm
LNOR81200	800 x 1200mm
LNOR81400	800 x 1400mm
LNOR81500	800 x 1500mm
LNOR81700	800 x 1700mm
LNOR91200	900 x 1200mm
LNOR91400	900 x 1400mm
LNOR91500	900 x 1500mm
LNOR91700	900 x 1700mm

SQUARE 25MM STONE RESIN SHOWER TRAY WITH LINEAR WASTE



LN000S900	900 x 900mm
------------------	-------------

STONE RESIN SHOWER TRAY WITH LINEAR WASTE FEATURES

100% natural stone resin

25mm ultra low profile

The minimalist ultra stylish Slab tray is manufactured by hand in the UK from the finest natural materials

The Slab is load bearing and is installed the same way as any standard stone resin shower tray

For fitting on concrete or wooden floors (comprehensive fitting instructions included)

A tough gel coat smooth surface, durable, repairable and easy clean.

Stainless steel waste grid that is only 75mm wide, the tray still has an incredible drainage efficiency of over 30 litres of water per minute.

At only 25mm high, the tray can be installed as a level access solution.

Tray comes complete with a stainless steel flush fitting waste cover finished in white.

Optional upgrade to chrome plated cover available (LNGRID_C)

The waste design creates a self cleaning vortex for high water clearing performance.

Lifetime guarantee



THE WASTE POSITION OFFSET MAXIMIZING STANDING AREA IN THE SHOWER



SIMPSONS 45MM STONE RESIN SHOWER TRAYS

RECTANGULAR 45MM STONE RESIN SHOWER TRAY & WASTE



SROR81000	1000 x 800mm	SROR7001500	1500 x 700mm
SROR81100	1100 x 800mm	SROR81500	1500 x 800mm
SROR7001200	1200 x 700mm	SROR91500	1500 x 900mm
SROR71200	1200 x 760mm	SROR7001600	1600 x 700mm
SROR81200	1200 x 800mm	SROR81600	1600 x 800mm
SROR91200	1200 x 900mm	SROR91600	1600 x 900mm
SROR81400	1400 x 800mm	SROR7001685	1685 x 700mm
SROR91400	1400 x 900mm		

SQUARE 45MM STONE RESIN SHOWER TRAY & WASTE



SR000S760	760 x 760mm
SR000S800	800 x 800mm
SR000S900	900 x 900mm

QUADRANT 45MM STONE RESIN SHOWER TRAY & WASTE



SR000Q800	800 Quad
SR000Q900	900 Quad

550mm Radius

OFFSET QUADRANT 45MM STONE RESIN SHOWER TRAY & WASTE



SRQ81000RH	1000 x 800 Quad (R)
SRQ81000LH	1000 x 800 Quad (L)
SRQ81200RH	1200 x 800 Quad (R)
SRQ81200LH	1200 X 800 Quad (L)
SRQ91200RH	1200 x 900 Quad (R)
SRQ91200LH	1200 X 900 Quad(L)

550mm Radius



HIGH FLOW WASTE

Simpsons 35mm & 45mm shower trays must be used with Simpsons High Flow Waste (STHFW6190)



STONE RESIN SHOWER TRAY FEATURES

White surface has anti-bacterial properties

Waste on quads is offset so that unobstructive when entering and exiting the showering area

Lifetime guarantee

New rear construction for easy fit leg system

Direct to floor or raised installation application on each tray

EN14527:2006 Class 1 compliant

EN15720:2009 compliant

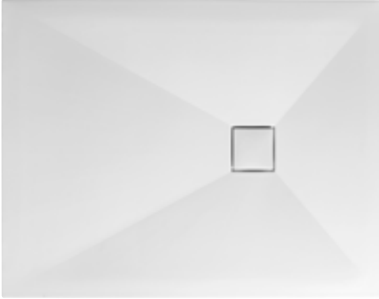
90mm waste outlet

Leg set and panels available

Lifetime guarantee

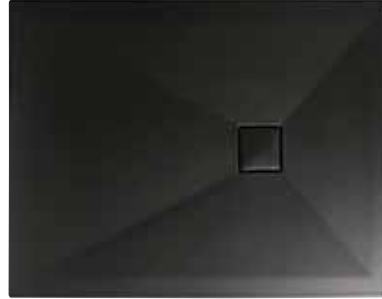
SIMPSONS 30MM PLUS+TON CERAMIC SHOWER TRAYS

RECTANGULAR 30MM PLUS+TON MATT WHITE CERAMIC SHOWER TRAY



PTOR8120WM	800 x 1200mm
PTOR8140WM	800 x 1400mm
PTOR8170WM	800 x 1700mm
PTOR9120WM	900 x 1200mm
PTOR9140WM	900 x 1400mm
PTOR9170WM	900 x 1700mm

RECTANGULAR 30MM PLUS+TON MATT BLACK CERAMIC SHOWER TRAY



PTOR8120BM	800 x 1200mm
PTOR8140BM	800 x 1400mm
PTOR8170BM	800 x 1700mm
PTOR9120BM	900 x 1200mm
PTOR9140BM	900 x 1400mm
PTOR9170BM	900 x 1700mm

QUADRANT 30MM PLUS+TON MATT WHITE CERAMIC SHOWER TRAY



PTOQ900WM	900 x 900mm
------------------	-------------

QUADRANT 30MM PLUS+TON MATT BLACK CERAMIC SHOWER TRAY



PTOQ900BM	900 x 900mm
------------------	-------------

PLUS+TON CERAMIC SHOWER TRAY FEATURES

100% ceramic fine fire clay

Patent No. AN2014A000135

30mm low profile

Slip-proof / Scratch-proof / Stain-proof / Limescale-proof

Bacterial resistant

Lightweight

Reversible

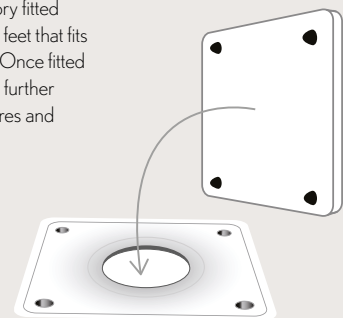
Self cleaning vortex waste offering a maintenance free solution as it doesn't require any cleaning

Lifetime guarantee

PLUS+TON trays must be used with PLUS+TON waste PTHFWSQ90

SPECIAL CERAMIC WASTE COVER

All trays are fitted with a special ceramic waste cover, featuring a factory fitted aluminium insert with rubber feet that fits exactly in to the insert holes. Once fitted the waste cover is rock solid, further enabling the innovative features and benefits of the tray.



SCRATCH PROOF
BRILLIANT
ENDURING FINISH

The surface of the PLUS+TON shower tray is 100% scratch-proof and guaranteed to keep the same brilliancy of finish as the day it was installed. Each tray is rigorously tested against abrasion and scratching, time and time again tests prove perfect resistance properties that exceed the requirements of the current industry standards. Simply clean scratches with a scoring pad and water.



BACTERIA RESISTANT
ERADICATE GERMS

On average there are more bacteria in one hand than people on earth! On non-protected areas the number of bacteria can double every 20 minutes. PLUS+TON include Bacterclean® as standard, a revolutionary non-toxic antibacterial treatment, achieved by the high temperature glaze process. Bacterclean® complies with the world's most stringent quality standard JIS Z 2801:2000 (ISO 22196:2007), ensuring the development of pathogenic agents such as E-Coli, Staphylococcus or Streptococcus are eliminated by up to 99%. Providing you with peace of mind that you have the very best showering base available in the UK today.

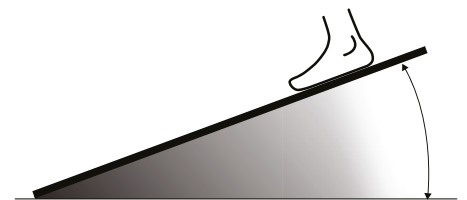
REVERSIBLE
VERSATILE DESIGN

With a thickness of only 30mm, the PLUS+TON shower tray is extremely easy to handle. With it's fully glazed sides, its completely reversible and can be installed in any bathroom environment, adjacent to walls, in the centre of the room or to follow modern trends flush to the floor, making the showering area also accessible to those with disabilities.

SLIP PROOF
SAFETY GUARANTEED

A shower tray can be a hazardous place in the bathroom for young and old alike. Until now the only way to make a shower tray slip proof is to apply a secondary surface treatment that is often textured and attracts dirt, bacterial and organic deposits.

PLUS+TON is the first ceramic material to offer integral slip-proof qualities in a silky smooth glazed finish thanks to the unique manufacturing process, the slip-proof surface is permanent and is guaranteed for life.



Slip proof certificate 24 degrees of inclination

PLUS+TON trays are Certified to TÜV DIN 51097:1992 the highest approval achievable.



SCRATCH-
PROOF



STAIN-
PROOF



SLIP-
PROOF



LIGHT
WEIGHT



REVERSIBLE
DESIGN



ECO-
FRIENDLY



BACTERIAL
RESISTANT



SIMPSONS 35MM ACRYLIC SHOWER TRAYS

SQUARE 35mm ACRYLIC SHOWER TRAYS

	Size	Product Code
	700 x 700mm	ST000S700
	760 x 760mm	ST000S760
	800 x 800mm	ST000S800
	900 x 900mm	ST000S900
	1000 x 1000mm	ST000S1000

QUADRANT 35mm ACRYLIC SHOWER TRAYS

	Size	Product Code
	800 x 800mm	ST000Q800
	900 x 900mm	ST000Q900
	1000 x 1000mm	ST000Q1000

RECTANGULAR 35mm ACRYLIC SHOWER TRAYS

Corner waste	Size	Product Code
	900 x 760mm	STOR76900
	900 x 800mm	STOOR8900
	1000 x 700mm	STOR70X100
	1000 x 760mm	STOR71000
	1000 x 800mm	STOR81000
	1000 x 900mm	STOR91000
	1100 x 700mm	STOR70X110
	1100 x 760mm	STOR71100
	1100 x 800mm	STOR81100
	1100 x 900mm	STOR91100
	1200 x 700mm	STOR70X120

OFFSET QUADRANT 35mm ACRYLIC SHOWER TRAYS


	Size	Product Code
	900 x 760mm (R)	STQ7690R
	900 x 760mm (L)	STQ7690L
	900 x 800mm (R)	STQ8900R
	900 x 800mm (L)	STQ8900L
	1000 x 800mm (R)	STQ81000R
	1000 x 800mm (L)	STQ81000L
	1200 x 800mm (R)	STQ81200R
	1200 x 800mm (L)	STQ81200L
	1200 x 900mm* (R)	STQ91200R
	1200 x 900mm* (L)	STQ91200L

The image above shows the waste position for the right hand tray, for further information on waste positions, contact Simpsons

RECTANGULAR 35mm ACRYLIC SHOWER TRAYS

Centre waste	Size	Product Code
	1200 x 760mm	STOR71200
	1200 x 800mm	STOR81200
	1200 x 900mm	STOR91200
	1200 x 1000mm	STOR10120
	1400 x 800mm	STOR81400
	1500 x 700mm	STOR70X150
	1500 x 760mm	STOR71500
	1500 x 800mm	STOR81500
	1500 x 900mm	STOR91500
	1600 x 700mm	STOR71600
	1600 x 800mm	STOR81600
	1600 x 900mm	STOR91600
	1700 x 700mm	STOR71700
	1700 x 760mm	STOR76170
	1700 x 900mm	STOR91700
	1700 x 1000mm	STOR101700
	1800 x 800mm	STOR81800
	1800 x 900mm	STOR91800
	1800 x 1000mm	STOR101800

PENTANGLE 35mm ACRYLIC SHOWER TRAYS

	Size	Product Code
	900 x 900mm	ST000P900
	1000 x 1000mm	STOP1000
	1200 x 900mm (L)	STOP91200L
	1200 x 900mm (R)	STOP91200R
	1400 x 900mm* (L)	STOP91400L
	1400 x 900mm* (R)	STOP91400R

The image above shows the waste position for the right hand tray, for further information on waste positions, contact Simpsons

Double waste	Size	Product Code
	2000 x 800mm	STOR82000
	2000 x 900mm	STOR92000
	2000 x 1000mm	STOR102000

DRYING AREA 35mm ACRYLIC SHOWER TRAYS WITH DRYING AREA

	Size	Product Code
	1400 x 900mm	ST90X140_DA
	1600 x 800mm	ST80X160_DA
	1700 x 800mm	ST80X170_DA

*Front centre waste position

WALK IN 35mm ACRYLIC SHOWER TRAYS

Front centre waste	Size	Product Code
	1400 x 900mm	STWK91400
	1700 x 800mm	STWK81700



HIGH FLOW WASTE

Simpsons 35mm & 45mm shower trays must be used with Simpsons High Flow Waste (STHFW6190)

SQUARE 35mm ANTI-SLIP ACRYLIC SHOWER TRAYS

	Size	Product Code
	700 x 700mm	GP000S700
	760 x 760mm	GP000S760
	800 x 800mm	GP000S800
	900 x 900mm	GP000S900
	1000 x 1000mm	GP000S1000

QUADRANT 35mm ANTI-SLIP ACRYLIC SHOWER TRAYS

	Size	Product Code
	800 x 800mm	GP000Q800
	900 x 900mm	GP000Q900
	1000 x 1000mm	GP000Q1000

RECTANGULAR 35mm ANTI-SLIP ACRYLIC SHOWER TRAYS

Corner waste	Size	Product Code
	900 x 760mm	GPOR76900
	900 x 800mm	GPOR89000
	1000 x 700mm	GPOR70X100
	1000 x 760mm	GPOR71000
	1000 x 800mm	GPOR81000
	1000 x 900mm	GPOR91000
	1100 x 700mm	GPOR70X110
	1100 x 760mm	GPOR71100
	1100 x 800mm	GPOR81100
	1100 x 900mm	GPOR91100
	1200 x 700mm	GPOR70X120

OFFSET QUADRANT 35mm ANTI-SLIP ACRYLIC SHOWER TRAYS


	Size	Product Code
	900 x 760mm (R)	GPQ7690R
	900 x 760mm (L)	GPQ7690L
	900 x 800mm (R)	GPQ8900R
	900 x 800mm (L)	GPQ8900L
	1000 x 800mm (R)	GPQ81000R
	1000 x 800mm (L)	GPQ81000L
	1200 x 800mm (R)	GPQ81200R
	1200 x 800mm (L)	GPQ81200L
	1200 x 900mm* (R)	GPQ91200R
	1200 x 900mm* (L)	GPQ91200L

The image above shows the waste position for the right hand tray, for further information on waste positions, contact Simpsons


RECTANGULAR 35mm ANTI-SLIP ACRYLIC SHOWER TRAYS

Centre waste	Size	Product Code
	1200 x 760mm	GPOR71200
	1200 x 800mm	GPOR81200
	1200 x 900mm	GPOR91200
	1200 x 1000mm	GPOR10120
	1400 x 800mm	GPOR81400
	1500 x 700mm	GPOR70X150
	1500 x 760mm	GPOR71500
	1500 x 800mm	GPOR81500
	1500 x 900mm	GPOR91500
	1600 x 700mm	GPOR71600
	1600 x 800mm	GPOR81600
	1600 x 900mm	GPOR91600
	1700 x 700mm	GPOR71700
	1700 x 760mm	GPOR76170
	1700 x 900mm	GPOR91700
	1700 x 1000mm	GPOR101700
	1800 x 800mm	GPOR81800
	1800 x 900mm	GPOR91800
	1800 x 1000mm	GPOR101800

PENTANGLE 35mm ANTI-SLIP ACRYLIC SHOWER TRAYS

	Size	Product Code
	900 x 900mm	GP000P900
	1000 x 1000mm	GP000P1000
	1200 x 900mm (L)	GP0P91200L
	1200 x 900mm (R)	GP0P91200R
	1400 x 900mm* (L)	GP0P91400L
	1400 x 900mm* (R)	GP0P91400R

The image above shows the waste position for the right hand tray, for further information on waste positions, contact Simpsons

Double waste	Size	Product Code
	2000 x 800mm	GPOR82000
	2000 x 900mm	GPOR92000
	2000 x 1000mm	GPOR102000

DRYING AREA 35mm ACRYLIC SHOWER TRAYS WITH DRYING AREA

	Size	Product Code
	1400 x 900mm	GP90X140_DA
	1600 x 800mm	GP80X160_DA
	1700 x 800mm	GP80X170_DA

*Front centre waste position

WALK IN 35mm ANTI-SLIP ACRYLIC SHOWER TRAYS

Front centre waste	Size	Product Code
	1400 x 900mm	GPWK91400
	1700 x 800mm	GPWK81700

SIMPSONS ANTI-SLIP IS SIMPLY THE FINEST AVAILABLE

Our anti-slip trays comply with DIN51097 class C - the highest anti-slip rating. We are the only manufacturer to thermo bond the Swiss Grip Antislip onto the tray with a curing process - to ensure better performance for a cleaner & longer lasting surface.



DIN51097 class C anti-slip ramp test



BATHS



AN OUTSTANDING COLLECTION OF BATHS



N2ACS | FORMOSO GRANDE

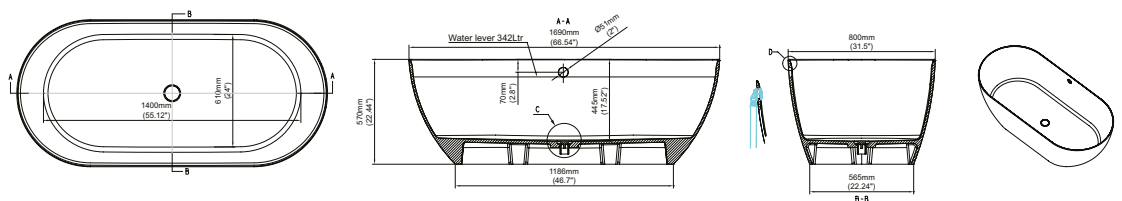
L: 1690 W: 800 H: 570mm

Weight empty: 84 kg

Displaced capacity: 272 litres*

Material: ClearStone

*Displaced capacity is the bath capacity less 70 litres.





N1ACS | FORMOSO PETITE

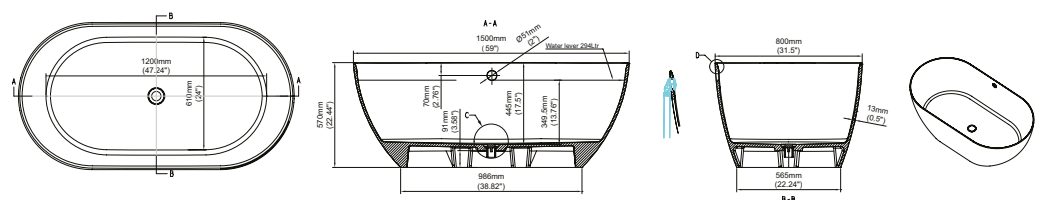
L: 1500 W: 800 H: 570mm

Weight empty: 67 kg

Displaced capacity: 224 litres*

Material: ClearStone

*Displaced capacity is the bath capacity less 70 litres.



N5CCS | PALERMO GRANDE

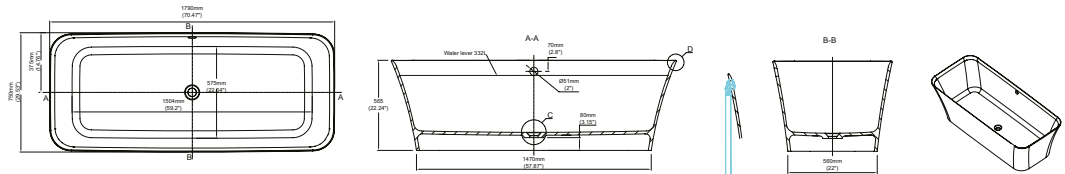
L: 1790 W: 750 H: 565mm

Weight empty: 89 kg

Displaced capacity: 262 litres*

Material: ClearStone

*Displaced capacity is the bath capacity less 70 litres.



N4CCS | PALERMO PETITE

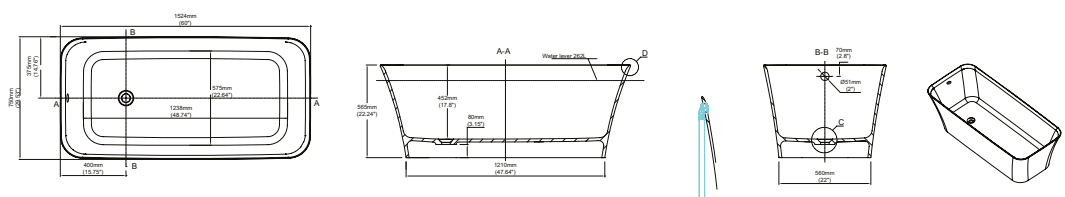
L: 1524 W: 750 H: 565mm

Weight empty: 79 kg

Displaced capacity: 205 litres*

Material: ClearStone

*Displaced capacity is the bath capacity less 70 litres.





N7D | VICENZA

L: 1790 W: 750 H: 555mm

Weight: 110 kg

Displaced capacity: 370 litres*

Material: Natural stone

Tap holes: 0

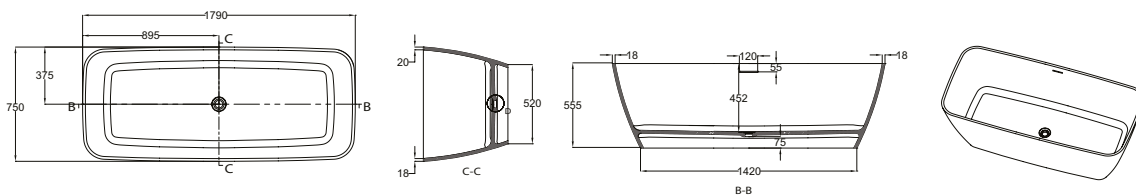
Integrated overflow

Average thickness throughout the bath is 10mm

Not suitable for rim-mounted taps

Compliance / Approvals: BS EN14516:2006

*Displaced capacity is the bath capacity less 70 litres.



N6D | VICENZA PICCOLO

L: 1600 W: 750 H: 555mm

Weight: 99.5 kg

Displaced capacity: 280 litres*

Material: Natural stone

Tap holes: 0

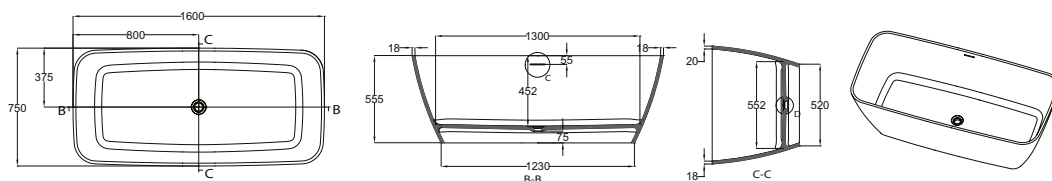
Integrated overflow

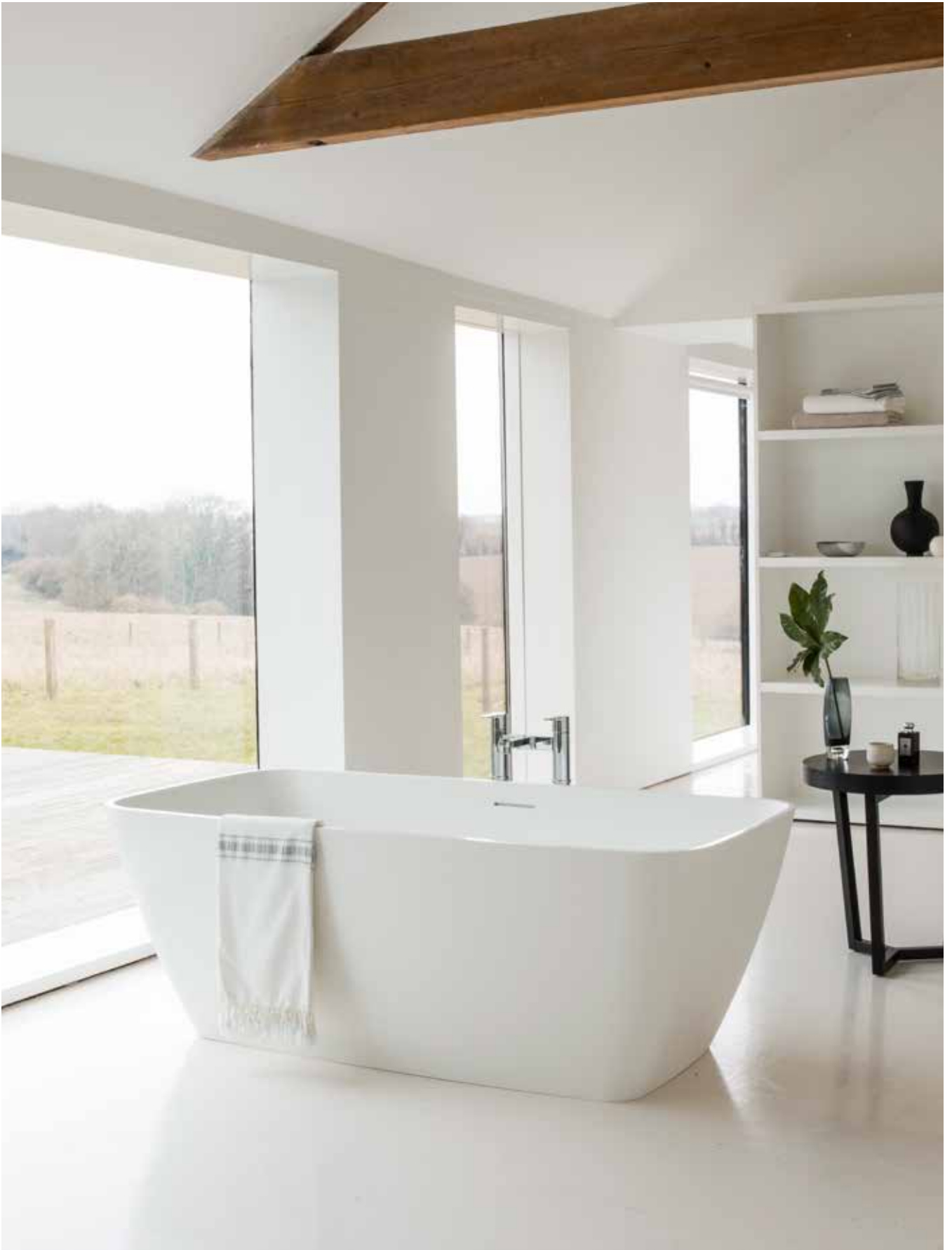
Average thickness throughout the bath is 10mm

Not suitable for rim-mounted taps

Compliance / Approvals: BS EN14516:2006

*Displaced capacity is the bath capacity less 70 litres.







WF_BTWBATH | WALDORF DUROCOAT® BACK TO WALL BATH

11645 x w 895 x h 600mm

Footprint on floor: 11158 x w 743mm

Weight: 168Kgs

Below overflow capacity: 203 litres

Back to wall bath cast mineral marble bath with High Gloss white Durocoat®

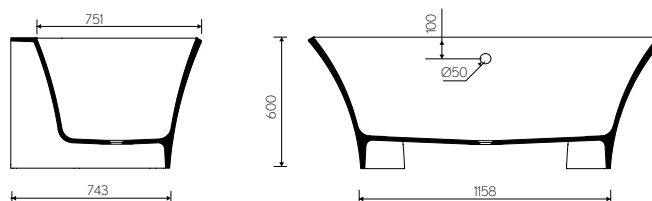
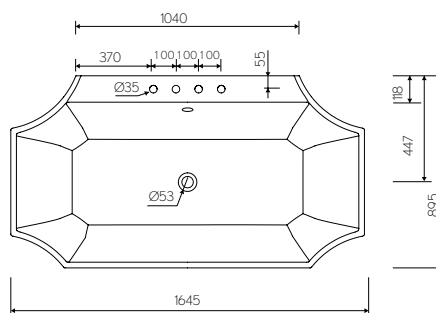
Complete with integral overflow and void for bath waste

Suitable for standard plug and chain, click clack or pop waste and bath overflow filler

Tap ledge is supplied undrilled for easy on site drilling for 2 or more tap hole

Suitable for wall mount, floor standing or deck mounted fillers and wall mounted thermostatic bath/shower mixer

15 year guarantee





BATHS TRADITIONAL FREESTANDING BATHS

E3 & L1C | WINDSOR 1700

Size: 745 x 1690 x 620 mm

Material: E3 TSFR; L1C LM25 Aluminum

Tap holes: 0, 1, 2

Weight: 45 kg

Displaced capacity: 130 litres (bath's capacity less 70 litres)

Supplied with a template to define the taps holes or overflow holes on the bath.

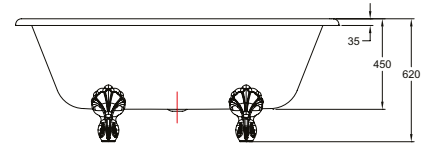
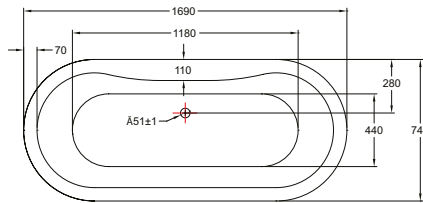
Supplied with fixings for installation to the bath.

Compatible wastes are CW2,W5,W10

The exterior of this bath can be painted, if you wish to paint yours then this can be done by using Acrylic based primers and paints, you should seek advice from the paint manufacturer for suitable products and process

BS EN14516:2006 - Baths for domestic purposes

Matching Bath Screens available see page 15:7



E4 & L1C | WINDSOR 1500

Size: 750 x 1500 x 635 mm

Material: E4 TSFR; L1C LM25 Aluminum

Tap holes: 0, 1, 2

Weight: 45 kg

Displaced capacity: 115 litres (bath's capacity less 70 litres)

Supplied with a template to define the taps holes or overflow holes on the bath.

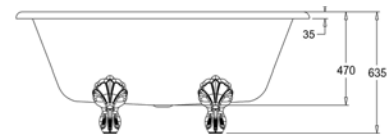
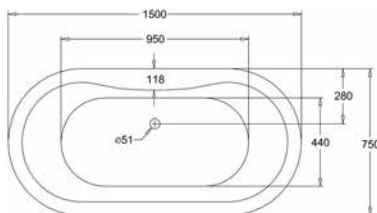
Supplied with fixings for installation to the bath.

Compatible wastes are CW2,W5,W10

The exterior of this bath can be painted, if you wish to paint yours then this can be done by using Acrylic based primers and paints, you should seek advice from the paint manufacturer for suitable products and process

BS EN14516:2006 - Baths for domestic purposes

Matching Bath Screens available see page 15:7



Burlington[®]



BATHS SHAPED BATHS

E13 & L1C | HAMPTON 1700 LEFT HAND

E14 & L1C | HAMPTON 1700 RIGHT HAND

Size: 750 x 1690 x 630mm

Material: E20 Lucite Acrylic; L1C LM25 Aluminum

Tap holes: 0, 1, 2

Weight: 37 kg

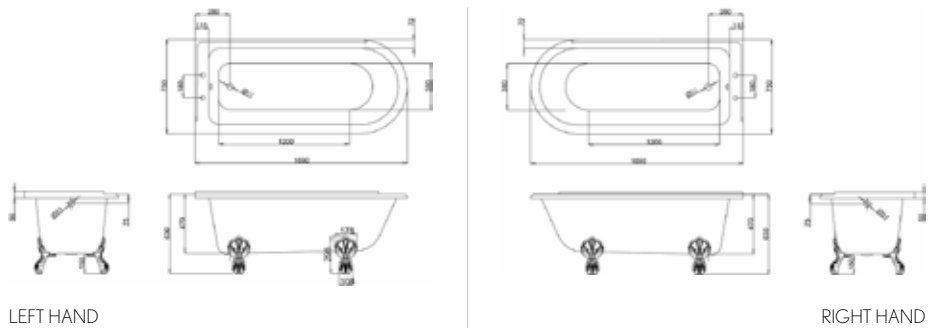
Displaced capacity: 105 litres (bath's capacity less 70 litres)

Supplied with a template to define the taps holes or overflow holes on the bath.

Supplied with fixings for installation to the bath.

Compatible wastes are CW2, W5, W8

BS EN14516:2006 - Baths for domestic purposes



E20 & L1C | HAMPTON 1500 LEFT HAND

E21 & L1C | HAMPTON 1500 RIGHT HAND

Size: 750 x 1500 x 610mm

Material: E20 Lucite Acrylic; L1C LM25 Aluminum

Tap holes: 0, 1, 2

Weight: 37 kg

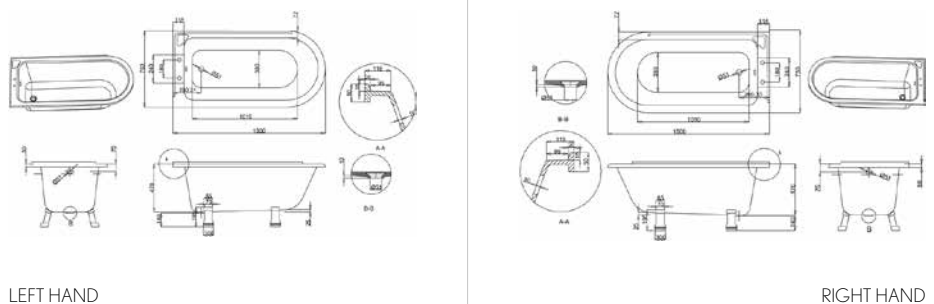
Displaced capacity: 105 litres (bath's capacity less 70 litres)

Supplied with a template to define the taps holes or overflow holes on the bath.

Supplied with fixings for installation to the bath.

Compatible wastes are CW2, W5, W8

BS EN14516:2006 - Baths for domestic purposes







M4N & M4B | SATURN MODERN BATH

Size: 750 x 1690 x 630mm

Material: TSFR

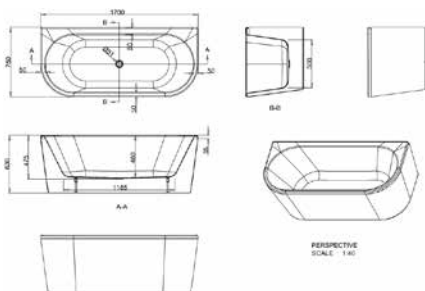
Tap holes: 0, 1, 2 (supplied un-drilled)

Weight: 31 kg

Displaced capacity: 131 litres (bath's capacity less 70 litres)

Overflow is predrilled

BS EN14516:2006 - Baths for domestic purposes





R38 | VIRIDE OFFSET BATH

Size: 750 x 1700 x 585mm

Weight: 23.75 kg

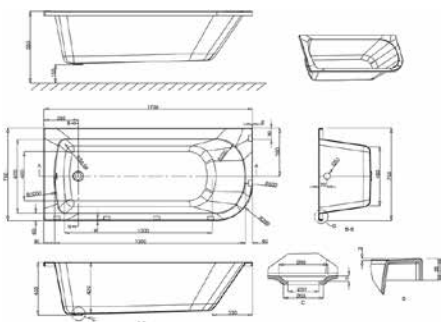
Material: Lucite / CG

Tap Holes: 0, 1, 2

Displaced capacity: 135 litres (bath's capacity less 70 litres)

Overflow hole is predrilled

BS EN14516:2006 - Baths for domestic purposes





KITCHEN TAPS & SINKS

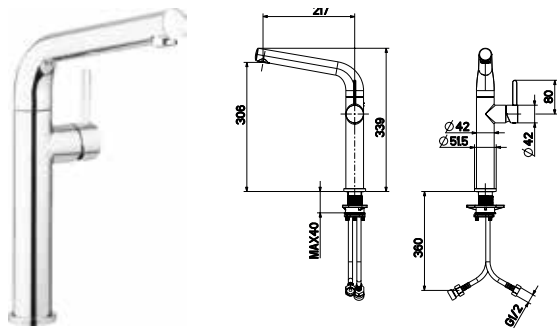


AN OUTSTANDING COLLECTION
OF KITCHEN TAPS & SINKS

CUCINA KITCHEN TAPS

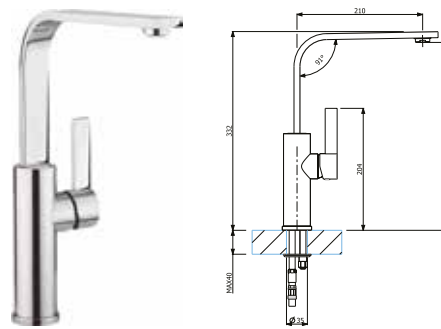


TE714DC | TEMPO SIDE LEVER KITCHEN MIXER



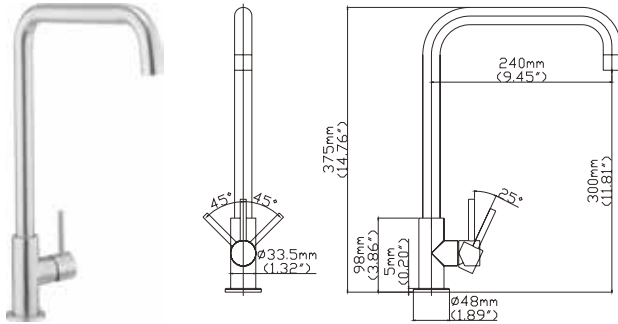
Chrome
 Swivel spout
 Single lever
 Water pressure: HP1
 WRAS approval number - 1603004

WP714DC | WISP SIDE LEVER KITCHEN MIXER



Chrome
 Swivel spout
 Single lever
 Water pressure: HP2
 WRAS approval number - 1509018

NT714DS | NINETY SIDE LEVER KITCHEN MIXER



Brushed Stainless Steel Effect

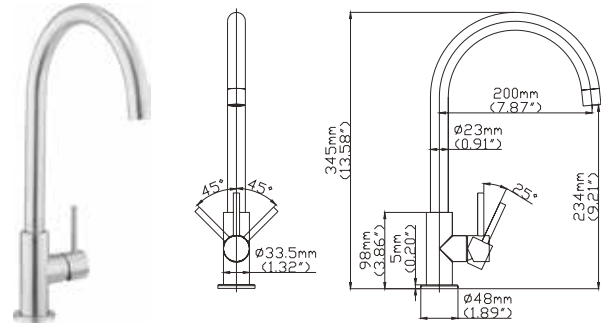
Swivel spout

Single lever

Water pressure: HP2

WRAS approval number - 1512015

KL714DS | KAI LEVER SIDE LEVER KITCHEN MIXER



Brushed Stainless Steel Effect

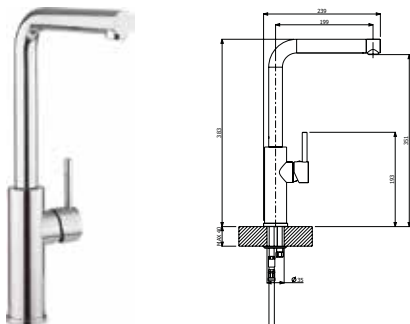
Swivel spout

Single lever

Water pressure: HP1

WRAS approval number - 1512015

NT714DC | NINETY SIDE LEVER KITCHEN MIXER



Chrome

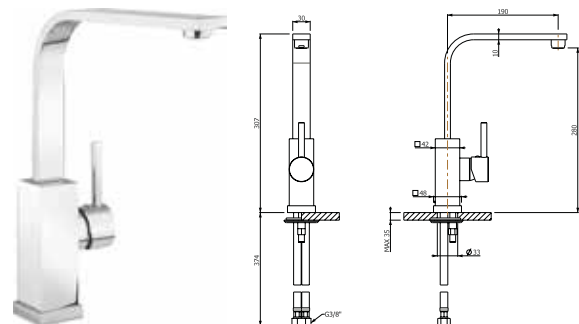
Swivel spout

Single lever

Water pressure: MP

WRAS approval number - 1509018

ZE714DC | ZEYA SIDE LEVER KITCHEN MIXER



Chrome

Swivel spout

Single lever

Water pressure: HP1

WRAS approval number - 1509018



PRODUCT INDEX



A FULL LIST OF PRODUCTS FEATURED IN THIS SPEC BOOK

PRODUCT INDEX

10301000	TEN SINGLE FIXED PANEL	14:14	BL131WNC	BELGRAVIA BASIN THREE HOLE SET	3:5
10301100	TEN SINGLE FIXED PANEL	14:14	BL131WNC_LV	BELGRAVIA BASIN THREE HOLE SET	3:5
10301200	TEN SINGLE FIXED PANEL	14:14	BL1500RC+	BELGRAVIA THERMO VALVE	3:11
1030300	TEN SINGLE FIXED PANEL	14:14	BL1501RC+	BELGRAVIA THERMO VALVE	3:11
1030400	TEN SINGLE FIXED PANEL	14:14	BL2000RC+	BELGRAVIA THERMO VALVE	3:13
1030500	TEN SINGLE FIXED PANEL	14:14	BL2001RC+	BELGRAVIA THERMO VALVE	3:13
1030600	TEN SINGLE FIXED PANEL	14:14	BL2500RC+	BELGRAVIA THERMO VALVE	3:11
1030700	TEN SINGLE FIXED PANEL	14:14	BL3000RC+	BELGRAVIA THERMO VALVE	3:13
1030800	TEN SINGLE FIXED PANEL	14:14	BL3001RC+	BELGRAVIA THERMO VALVE	3:13
1030900	TEN SINGLE FIXED PANEL	14:14	BL422DC	BELGRAVIA BATH SHOWER MIXER	3:7
30.4442.00001	SINGLE NON-RETURN VALVE	7:24	BL422DC_LV	BELGRAVIA BATH SHOWER MIXER	3:7
30.4454.00001	DOUBLE NON-RETURN VALVE	7:24	BL964C	BELGRAVIA SHOWER KIT	3:15
AC110DNC	ACUTE BASIN MONO	6:10	BTR0402C	ROUND BOTTLE TRAP	6:11
AD1500FA1	INLET ADAPTER	7:22	BTR0403C	SQUARE BOTTLE TRAP	6:11
ARC1	ARCADE PEDESTAL	13:13	BTW0242C	BATH WASTE	6:12
ARC12001TH	ARCADE BASIN	13:13	C1	CLOSE COUPLED CISTERN	13:7
ARC15	ARCADE TAP	13:13	C10	BATH SCREEN WITH ACCESS PANEL	15:7
ARC2	ARCADE BASIN CONSOLE LEGS	13:13	C9	BATH SCREEN	15:7
ARC23	ARCADE BASIN STAND	13:13	CB4080AL+	ELECTRIC MIRRORED CABINET	10:3
ARC3	ARCADE CLOSE-COUPLED PAN	13:15	CB5580AL+	ELECTRIC MIRRORED CABINET	10:3
ARC4	ARCADE CLOSE COUPLED PAN	13:15	CB6070AL	MIRRORED CABINET	10:3
ARC5	ARCADE DUAL FLUSH CISTERN	13:15	CB6080AL+	ELECTRIC MIRRORED CABINET	10:4
ARC6	ARCADE BACK-TO-WALL PAN	13:15	CB8080AL+	ELECTRIC MIRRORED CABINET	10:4
ARC6001TH	ARCADE BASIN	13:13	CB9080AL+	ELECTRIC MIRRORED CABINET	10:4
ARC6003TH	ARCADE BASIN	13:13	CE013C	CENTRAL TOWEL RING	8:6
ARC9001TH	ARCADE BASIN	13:13	CE022C	CENTRAL DOUBLE ROBE HOOK	8:6
AT110DNC	ATOLL BASIN MONO	6:9	CE023C	CENTRAL TOWEL RAIL SINGLE	8:6
ATFLUSHC	ATOLL CHROME FLUSH PLATE	12:18	CE029C	CENTRAL TOILET ROLL HOLDER	8:6
B41TH	EDWARDIAN BASIN	13:3	CE1000RC+	CENTRAL THERMO VALVE	7:17
B51TH	EDWARDIAN BASIN	13:3	CE110DNC	CENTRAL BASIN MONO	6:9
BEL_BRACKET	BELGRAVIA EXPOSED VALVE	3:10	CE1500RC+	CENTRAL THERMO VALVE	7:17
BEL_SHOWER	BELGRAVIA EXPOSED VALVE	3:9	CE1501RC	CENTRAL THERMO VALVE	7:17
BEL_SLIDER	BELGRAVIA EXPOSED VALVE	3:9	CE1701RC	CENTRAL THERMO VALVE	7:17
BICY1	ARCADE PASHLEY BICYCLE	13:13	CE2000RC+	CENTRAL THERMO VALVE	7:18
BL002FC	BELGRAVIA FLOOR LEGS	3:8	CE2001RC+	CENTRAL THERMO VALVE	7:18
BL004WC	BELGRAVIA WALL LEGS	3:9	CE2500RC	CENTRAL THERMO VALVE	7:18
BL013C	BELGRAVIA TOWEL RING	8:9	CE3000RC+	CENTRAL THERMO VALVE	7:18
BL021C	BELGRAVIA ROBE HOOK	8:9	CE6006CW	CENTRAL WALL HUNG WC	12:11
BL023C	BELGRAVIA TOWEL RAIL SINGLE	8:9	CE6007CW	CENTRAL BACK TO WALL WC	12:13
BL029C	BELGRAVIA TOILET ROLL HOLDER	8:9	CE6105W	CENTRAL WRAP OVER SEAT	12:11
BL0370WC	BELGRAVIA BATH SPOUT	3:7	CEFLUSHC+	CENTRAL CHROME FLUSH PLATE	12:18
BL1000RC+	BELGRAVIA THERMO VALVE	3:11	CR.1730	ALL-IN-ONE FURNITURE BASIN (L)	9:11
BL110DPC	BELGRAVIA BASIN MONO	3:3	CR.1731	ALL-IN-ONE FURNITURE BASIN (R)	9:11
BL110DPC_LV	BELGRAVIA BASIN MONO	3:3	CT0012BSCW+	CASTELLON PLUS BASIN	12:4
BL112DPC	BELGRAVIA BASIN TALL MONO	3:3	CT0017SCW+	TENERIFE BASIN	12:7
BL112DPC_LV	BELGRAVIA BASIN TALL MONO	3:3	CT0234UCP	SERENE PLATINUM BASIN	12:3
BL130DPC	BELGRAVIA BASIN THREE HOLE SET	3:5	CT0234UCW	SERENE BASIN	12:3
BL130DPC_LV	BELGRAVIA BASIN THREE HOLE SET	3:5	CT05823UCW	PEARL BASIN	12:5

CT0884UCW	SANTA FE BASIN	12:6	DIAL-KAI-5	DIAL THERMO VALVE	7:10
CT5637URW	ALICE BASIN	12:4	DIAL-PIER-1	DIAL THERMO VALVE	7:11
D37W	D300 SEMI RECESSED BASIN UNIT	9:9	DIAL-PIER-2	DIAL THERMO VALVE	7:11
DBDSC1060	DESIGN DOUBLE BATH SCREEN	15:4	DIAL-PIER-3	DIAL THERMO VALVE	7:11
DBSSC0850	DESIGN SINGLE BATH SCREEN	15:3	DIAL-PIER-4	DIAL THERMO VALVE	7:12
DBSSC0850+TR	DESIGN SINGLE BATH SCREEN	15:3	DIAL-PIER-5	DIAL THERMO VALVE	7:12
DBTSC1500	DESIGN TRIPLE BATH SCREEN	15:4	DPSC0700	DESIGN SIDE PANEL	14:4
DBVSC1060	DESIGN DOUBLE BATH SCREEN	15:3	DPSC0760	DESIGN SIDE PANEL	14:4
DE0002SCW	DESIGN 50 BASIN	9:5	DPSC0800	DESIGN SIDE PANEL	14:4
DE0002SRW	DESIGN 50 BASIN	9:5	DPSC0900	DESIGN SIDE PANEL	14:4
DE0003SCW	DESIGN 70 BASIN	9:7	DPSC1000	DESIGN SIDE PANEL	14:4
DE0003SRW	DESIGN 70 BASIN	9:7	DPSC1100	DESIGN SIDE PANEL	14:4
DE5000DPG	DESIGN PLUS 50 PANGA	9:5	DPSC1200	DESIGN SIDE PANEL	14:4
DE5000DWG	DESIGN PLUS 50 WHITE GLOSS	9:5	DPSC1400	DESIGN SIDE PANEL	14:4
DE5000DWT	DESIGN PLUS 50 WALNUT	9:5	DSLSC1100	DESIGN SINGLE SLIDER	14:5
DE50X111C	DESIGN HEATED TOWEL RAIL	11:3	DSLSC1200	DESIGN SINGLE SLIDER	14:5
DE50X143C	DESIGN HEATED TOWEL RAIL	11:3	DSLSC1400	DESIGN SINGLE SLIDER	14:5
DE50X170C	DESIGN HEATED TOWEL RAIL	11:3	DSLSC1600	DESIGN SINGLE SLIDER	14:5
DE50X69C	DESIGN HEATED TOWEL RAIL	11:3	DSLSC1700	DESIGN SINGLE SLIDER	14:5
DE60X111C	DESIGN HEATED TOWEL RAIL	11:3	DSPSC0300	DESIGN WALK IN PANEL	14:3
DE60X143C	DESIGN HEATED TOWEL RAIL	11:3	DSPSC0400	DESIGN WALK IN PANEL	14:3
DE60X170C	DESIGN HEATED TOWEL RAIL	11:3	DSPSC0500	DESIGN WALK IN PANEL	14:3
DE60X69C	DESIGN HEATED TOWEL RAIL	11:3	DSPSC0600	DESIGN WALK IN PANEL	14:3
DE7000DPG	DESIGN PLUS 70 PANGA	9:7	DSPSC0700	DESIGN WALK IN PANEL	14:3
DE7000DWG	DESIGN PLUS 70 WHITE GLOSS	9:7	DSPSC0760	DESIGN WALK IN PANEL	14:3
DE7000DWT	DESIGN PLUS 70 WALNUT	9:7	DSPSC0800	DESIGN WALK IN PANEL	14:3
DHDSC0700	DESIGN HINGED DOOR & INLINE	14:4	DSPSC0900	DESIGN WALK IN PANEL	14:3
DHDSC0760	DESIGN HINGED DOOR & INLINE	14:4	DSPSC1000	DESIGN WALK IN PANEL	14:3
DHDSC0800	DESIGN HINGED DOOR & INLINE	14:4	DSPSC1100	DESIGN WALK IN PANEL	14:3
DHDSC0900	DESIGN HINGED DOOR & INLINE	14:4	DSPSC1200	DESIGN WALK IN PANEL	14:3
DHDSC1000	DESIGN HINGED DOOR & INLINE	14:4	DSPSC1400	DESIGN WALK IN PANEL	14:3
DHDSC1100	DESIGN HINGED DOOR & INLINE	14:4	DWDSC1400	DESIGN WALK IN ENCLOSURE	14:5
DHDSC1200	DESIGN HINGED DOOR & INLINE	14:4	DWDSC1700	DESIGN WALK IN ENCLOSURE	14:5
DIAL-BEL-1	DIAL THERMO VALVE	7:7	DWQSC1400	DESIGN WALK IN EASY ACCESS	14:3
DIAL-BEL-2	DIAL THERMO VALVE	7:7	DWQSC1700	DESIGN WALK IN EASY ACCESS	14:3
DIAL-BEL-3	DIAL THERMO VALVE	7:7	E13 & L1C	HAMPTON 1700 LEFT HAND BATH	17:13
DIAL-BEL-4	DIAL THERMO VALVE	7:8	E14 & L1C	HAMPTON 1700 RIGHT HAND BATH	17:13
DIAL-BEL-5	DIAL THERMO VALVE	7:8	E20 & L1C	HAMPTON 1500 LEFT HAND BATH	17:13
DIAL-CENT-1	DIAL THERMO VALVE	7:5	E21 & L1C	HAMPTON 1500 RIGHT HAND BATH	17:13
DIAL-CENT-2	DIAL THERMO VALVE	7:5	E3 & L1C	WINDSOR 1700 BATH	17:11
DIAL-CENT-3	DIAL THERMO VALVE	7:5	E4 & L1C	WINDSOR 1500 BATH	17:11
DIAL-CENT-4	DIAL THERMO VALVE	7:6	EBFSC0700	EDGE BIFOLD DOOR	14:8
DIAL-CENT-5	DIAL THERMO VALVE	7:6	EBFSC0760	EDGE BIFOLD DOOR	14:8
DIAL-KAI-1	DIAL THERMO VALVE	7:9	EBFSC0800	EDGE BIFOLD DOOR	14:8
DIAL-KAI-15	DIAL THERMO VALVE	7:9	EBFSC0900	EDGE BIFOLD DOOR	14:8
DIAL-KAI-2	DIAL THERMO VALVE	7:9	EBFSC1000	EDGE BIFOLD DOOR	14:8
DIAL-KAI-3	DIAL THERMO VALVE	7:9	ED6005CW	TOUCH CLOSE COUPLED WC	12:15
DIAL-KAI-4	DIAL THERMO VALVE	7:10	ED6006CW	TOUCH WALL HUNG WC	12:12

PRODUCT INDEX

ED6007CW	TOUCH BACK TO WALL WC	12:13
ED6105W	TOUCH WRAP OVER SEAT	12:12
ED7005CW	TOUCH CISTERN	12:15
EIDSC0700	EDGE INFOLD DOOR	14:7
EIDSC0760	EDGE INFOLD DOOR	14:7
EIDSC0800	EDGE INFOLD DOOR	14:7
EIDSC0900	EDGE INFOLD DOOR	14:7
EIDSC1000	EDGE INFOLD DOOR	14:7
EPDSC0700	EDGE PIVOT DOOR	14:7
EPDSC0760	EDGE PIVOT DOOR	14:7
EPDSC0800	EDGE PIVOT DOOR	14:7
EPDSC0900	EDGE PIVOT DOOR	14:7
EPDSC1000	EDGE PIVOT DOOR	14:7
EQDSC0800	EDGE QUADRANT DOUBLE DOOR	14:9
EQDSC0900	EDGE QUADRANT DOUBLE DOOR	14:9
EQDSC1000	EDGE QUADRANT DOUBLE DOOR	14:9
EQDSC12X8	EDGE QUADRANT DOUBLE DOOR	14:9
EQDSC12X9	EDGE QUADRANT DOUBLE DOOR	14:9
EQSSC0800	EDGE QUADRANT SINGLE DOOR	14:9
EQSSC0900	EDGE QUADRANT SINGLE DOOR	14:9
EQSSC1000	EDGE QUADRANT SINGLE DOOR	14:9
EQSSC10X8	EDGE QUADRANT SINGLE DOOR	14:9
EQSSC12X8	EDGE QUADRANT SINGLE DOOR	14:9
EQSSC12X9	EDGE QUADRANT SINGLE DOOR	14:9
ES55X108A	ESSENCE HEATED TOWEL RAIL	11:4
ES55X108C	ESSENCE HEATED TOWEL RAIL	11:4
ES55X138A	ESSENCE HEATED TOWEL RAIL	11:4
ES55X138C	ESSENCE HEATED TOWEL RAIL	11:4
ESLSC1000	EDGE SINGLE SLIDER	14:8
ESLSC1100	EDGE SINGLE SLIDER	14:8
ESLSC1200	EDGE SINGLE SLIDER	14:8
ESLSC1400	EDGE SINGLE SLIDER	14:8
ESLSC1500	EDGE SINGLE SLIDER	14:8
ESLSC1600	EDGE SINGLE SLIDER	14:8
ESPSC0700	EDGE SIDE PANEL	14:7
ESPSC0760	EDGE SIDE PANEL	14:7
ESPSC0800	EDGE SIDE PANEL	14:7
ESPSC0900	EDGE SIDE PANEL	14:7
ESPSC1000	EDGE SIDE PANEL	14:7
EV1205WB	EXPOSED VALVE WALL MOUNT BRACKET	7:23
EV1252EC	KAI THERMO SHOWER VALVE	7:24
EV1253EC	KAI THERMO BATH SHOWER MIXER	7:24
FH08C	BELGRAVIA SHOWER HEAD	3:16
FH12C	BELGRAVIA SHOWER HEAD	3:16
FH250C+	SHOWER HEAD	7:27
FH684C	SHOWER ARM	3:15
FH684C	SHOWER ARM	4:13
FH685C	SHOWER ARM	3:15

FH685C	SHOWER ARM	4:13
GP000P900	PENTANGLE SHOWER TRAY	16:12
GP000Q800	QUADRANT SHOWER TRAY	16:12
GP000Q900	QUADRANT SHOWER TRAY	16:12
GP000S700	SQUARE SHOWER TRAY	16:12
GP000S760	SQUARE SHOWER TRAY	16:12
GP000S800	SQUARE SHOWER TRAY	16:12
GP000S900	SQUARE SHOWER TRAY	16:12
GP00Q1000	QUADRANT SHOWER TRAY	16:12
GP00R8900	RECTANGULAR SHOWER TRAY	16:12
GP00S1000	SQUARE SHOWER TRAY	16:12
GP0P1000	PENTANGLE SHOWER TRAY	16:12
GP0P91200L	PENTANGLE SHOWER TRAY	16:12
GP0P91200R	PENTANGLE SHOWER TRAY	16:12
GP0P91400L	PENTANGLE SHOWER TRAY	16:12
GP0P91400R	PENTANGLE SHOWER TRAY	16:12
GP0R10120	RECTANGULAR SHOWER TRAY	16:12
GP0R101700	RECTANGULAR SHOWER TRAY	16:12
GP0R101800	RECTANGULAR SHOWER TRAY	16:12
GP0R102000	RECTANGULAR SHOWER TRAY	16:12
GP0R70X100	RECTANGULAR SHOWER TRAY	16:12
GP0R70X110	RECTANGULAR SHOWER TRAY	16:12
GP0R70X120	RECTANGULAR SHOWER TRAY	16:12
GP0R70X150	RECTANGULAR SHOWER TRAY	16:12
GP0R71000	RECTANGULAR SHOWER TRAY	16:12
GP0R71100	RECTANGULAR SHOWER TRAY	16:12
GP0R71200	RECTANGULAR SHOWER TRAY	16:12
GP0R71500	RECTANGULAR SHOWER TRAY	16:12
GP0R71600	RECTANGULAR SHOWER TRAY	16:12
GP0R71700	RECTANGULAR SHOWER TRAY	16:12
GP0R76170	RECTANGULAR SHOWER TRAY	16:12
GP0R76900	RECTANGULAR SHOWER TRAY	16:12
GP0R81000	RECTANGULAR SHOWER TRAY	16:12
GP0R81100	RECTANGULAR SHOWER TRAY	16:12
GP0R81200	RECTANGULAR SHOWER TRAY	16:12
GP0R81400	RECTANGULAR SHOWER TRAY	16:12
GP0R81500	RECTANGULAR SHOWER TRAY	16:12
GP0R81600	RECTANGULAR SHOWER TRAY	16:12
GP0R81800	RECTANGULAR SHOWER TRAY	16:12
GP0R82000	RECTANGULAR SHOWER TRAY	16:12
GP0R91000	RECTANGULAR SHOWER TRAY	16:12
GP0R91100	RECTANGULAR SHOWER TRAY	16:12
GP0R91200	RECTANGULAR SHOWER TRAY	16:12
GP0R91500	RECTANGULAR SHOWER TRAY	16:12
GP0R91600	RECTANGULAR SHOWER TRAY	16:12
GP0R91700	RECTANGULAR SHOWER TRAY	16:12
GP0R91800	RECTANGULAR SHOWER TRAY	16:12
GP0R92000	RECTANGULAR SHOWER TRAY	16:12

GP80X160_DA	DRYING AREA SHOWER TRAY	16:12	KL2000RC	KAI LEVER THERMO VALVE	7:21
GP80X170_DA	DRYING AREA SHOWER TRAY	16:12	KL2001RC	KAI LEVER THERMO VALVE	7:21
GP90X140_DA	DRYING AREA SHOWER TRAY	16:12	KL2500RC	KAI LEVER THERMO VALVE	7:20
GPQ7690L	OFFSET QUADRANT SHOWER TRAY	16:12	KL3000RC	KAI LEVER THERMO VALVE	7:21
GPQ7690R	OFFSET QUADRANT SHOWER TRAY	16:12	KL3001RC	KAI LEVER THERMO VALVE	7:21
GPQ81000L	OFFSET QUADRANT SHOWER TRAY	16:12	KL714DS	KAI LEVER KITCHEN MIXER	18:4
GPQ81000R	OFFSET QUADRANT SHOWER TRAY	16:12	KLR1000RC	KAI LEVER THERMO VALVE	7:19
GPQ81200L	OFFSET QUADRANT SHOWER TRAY	16:12	LBSSC0900	ELITE HINGED BATH SCREEN	15:5
GPQ81200R	OFFSET QUADRANT SHOWER TRAY	16:12	LHDSC0800	ELITE HINGED DOOR	14:11
GPQ8900L	OFFSET QUADRANT SHOWER TRAY	16:12	LHDSC0900	ELITE HINGED DOOR	14:11
GPQ8900R	OFFSET QUADRANT SHOWER TRAY	16:12	LN000S900	LINEAR WASTE SHOWER TRAY	16:5
GPQ91200L	OFFSET QUADRANT SHOWER TRAY	16:12	LNOR81000	LINEAR WASTE SHOWER TRAY	16:5
GPQ91200R	OFFSET QUADRANT SHOWER TRAY	16:12	LNOR81200	LINEAR WASTE SHOWER TRAY	16:5
GPWK81700	WALK IN SHOWER TRAY	16:12	LNOR81400	LINEAR WASTE SHOWER TRAY	16:5
GPWK91400	WALK IN SHOWER TRAY	16:12	LNOR81500	LINEAR WASTE SHOWER TRAY	16:5
KH01_110DNC	KH ZERO 1 BASIN MONO	6:10	LNOR81700	LINEAR WASTE SHOWER TRAY	16:5
KH02_1000RC	KH ZERO 2 THERMO VALVE	5:5	LNOR91200	LINEAR WASTE SHOWER TRAY	16:5
KH02_110DNC	KH ZERO 2 BASIN MONO	5:3	LNOR91400	LINEAR WASTE SHOWER TRAY	16:5
KH02_112DNC	KH ZERO 2 BASIN TALL MONO	5:3	LNOR91500	LINEAR WASTE SHOWER TRAY	16:5
KH02_114DNC	KH ZERO 2 BASIN MINI MONO	5:3	LNOR91700	LINEAR WASTE SHOWER TRAY	16:5
KH02_120WNC	KH ZERO 2 BASIN MONO	5:3	LN6006CW	LINEA WALL HUNG WC	12:12
KH02_1500RC	KH ZERO 2 THERMO VALVE	5:5	LN6007CW	LINEA BACK TO WALL WC	12:13
KH02_1501RC	KH ZERO 2 THERMO VALVE	5:5	LN6105W	LINEA WRAP OVER SEAT	12:12
KH02_2000RC	KH ZERO 2 THERMO VALVE	5:6	LQSSC0900	ELITE QUADRANT SINGLE DOOR	14:12
KH02_2001RC	KH ZERO 2 THERMO VALVE	5:6	LQSSC10X8	ELITE QUADRANT SINGLE DOOR	14:12
KH02_2500RC	KH ZERO 2 THERMO VALVE	5:5	LQSSC12X8	ELITE QUADRANT SINGLE DOOR	14:12
KH02_3000RC	KH ZERO 2 THERMO VALVE	5:6	LQSSC12X9	ELITE QUADRANT SINGLE DOOR	14:12
KH02_3001RC	KH ZERO 2 THERMO VALVE	5:6	LSLSC1200	ELITE SINGLE SLIDER	14:11
KH03_1000RC	KH ZERO 3 THERMO VALVE	5:9	LSLSC1400	ELITE SINGLE SLIDER	14:11
KH03_110DNC	KH ZERO 3 BASIN MONO	5:7	LSLSC1700	ELITE SINGLE SLIDER	14:11
KH03_112DNC	KH ZERO 3 BASIN TALL MONO	5:7	LSPSC0700	ELITE SIDE PANEL	14:11
KH03_114DNC	KH ZERO 3 BASIN MINI MONO	5:7	LSPSC0760	ELITE SIDE PANEL	14:11
KH03_120WNC	KH ZERO 3 BASIN MONO	5:7	LSPSC0800	ELITE SIDE PANEL	14:11
KH03_1500RC	KH ZERO 3 THERMO VALVE	5:9	LSPSC0900	ELITE SIDE PANEL	14:11
KH03_2000RC	KH ZERO 3 THERMO VALVE	5:9	LWESC1050	ELITE WALK IN EASY ACCESS	14:12
KH03_2001RC	KH ZERO 3 THERMO VALVE	5:10	LWESC1250	ELITE WALK IN EASY ACCESS	14:12
KH03_3000RC	KH ZERO 3 THERMO VALVE	5:9	LWESC1450	ELITE WALK IN EASY ACCESS	14:12
KH06_110DNC	KH ZERO 6 BASIN MONO	5:11	M4N & M4B	SATURN MODERN BATH	17:15
KH06_114DNC	KH ZERO 6 BASIN MINI MONO	5:11	MB500RM	FUSION MULTIFUNCTION VALVE	7:23
KH06_322DC	KH ZERO 6 BATH FILLER	5:11	MB510SQ	PLANET MULTIFUNCTION VALVE	7:23
KH06_422DC	KH ZERO 6 BATH SHOWER MIXER	5:11	MEB8060A	REVIVE 1.0 LED MIRROR	10:6
KL1000RC	KAI LEVER THERMO VALVE	7:19	MF10060B+	CELESTE 100 BACK LIT MIRROR	10:5
KL1000RC-VS	KAI LEVER THERMO VALVE	7:19	MF8042A+	SOLO 80 BACK LIT MIRROR	10:5
KL110DNC	KAI LEVER BASIN MONO	6:9	MF8060B+	CELESTE 80 BACK LIT MIRROR	10:5
KL1500RC	KAI LEVER THERMO VALVE	7:19	N1ACS	FORMOSO PETITE BATH	17:4
KL1501RC	KAI LEVER THERMO VALVE	7:20	N2ACS	FORMOSO GRANDE BATH	17:3
KL1600RC	KAI LEVER THERMO VALVE	7:20	N4CCS	PALERMO PETITE BATH	17:5
KL1701RC	KAI LEVER THERMO VALVE	7:20	N5CCS	PALERMO GRANDE BATH	17:5

PRODUCT INDEX

N6D	VICENZA PICCOLO BATH	17:7	PRO300C	MIKE PRO SHOWER HEAD	2:14
N7D	VICENZA BATH	17:7	PRO416FC	MIKE PRO BATH SHOWER MIXER	2:11
NBDSC0850	EASY REACH BATH SCREEN	15:6	PRO684C	MIKE PRO SHOWER ARM	2:14
NBSSC0800	CLICK SINGLE BATH SCREEN	15:6	PRO689C	MIKE PRO SHOWER ARM	2:14
NT714DC	NINETY KITCHEN MIXER	18:4	PRO808C	MIKE PRO HOSE RETAINING BRACKET	2:13
NT714DS	NINETY KITCHEN MIXER	18:4	PRO812C	MIKE PRO SHOWER KIT	2:13
P1	STANDARD PEDESTAL	13:3	PRO953C	MIKE PRO WALL OUTLET	7:25
P10	WALL-HUNG PAN	13:7	PRO963C	MIKE PRO SHOWER KIT	2:13
P14	BACK-TO-WALL PAN	13:7	PRO974C	MIKE PRO SHOWER HOSE	7:25
P2	LOW/HIGH LEVEL PAN	13:7	PRO990C	MIKE PRO SHOWER KIT	2:13
P5	CLOSE COUPLED PAN	13:7	PSLSC1200	PIER SINGLE SLIDER	14:6
PHDSC0800	PIER HINGED DOOR	14:6	PSLSC1400	PIER SINGLE SLIDER	14:6
PHDSC0900	PIER HINGED DOOR	14:6	PSLSC1600	PIER SINGLE SLIDER	14:6
PI110DNC	PIER BASIN MONO	6:3	PSPSC0800	PIER SIDE PANEL	14:6
PI112DNC	PIER TALL BASIN MONO	6:3	PSPSC0900	PIER SIDE PANEL	14:6
PIFLUSHC	PIER CHROME FLUSH PLATE	12:18	PSPSC1000	PIER SIDE PANEL	14:6
PRO0101C	MIKE PRO BASIN WASTE	2:9	PTOQ900BM	PLUS+TON SHOWER TRAY	16:9
PRO0103C	MIKE PRO BASIN WASTE	2:9	PTOQ900WM	PLUS+TON SHOWER TRAY	16:9
PRO011C	MIKE PRO SOAP DISPENSER	8:3	PTOR8120BM	PLUS+TON SHOWER TRAY	16:9
PRO013C	MIKE PRO TOWEL RING	8:3	PTOR8120WM	PLUS+TON SHOWER TRAY	16:9
PRO0202C	MIKE PRO BATH WASTES	6:12	PTOR8140BM	PLUS+TON SHOWER TRAY	16:9
PRO021C	MIKE PRO SINGLE ROBE HOOK	8:3	PTOR8140WM	PLUS+TON SHOWER TRAY	16:9
PRO023C	MIKE PRO TOWEL RAIL SINGLE	8:4	PTOR8170BM	PLUS+TON SHOWER TRAY	16:9
PRO025C	MIKE PRO TOILET BRUSH HOLDER	8:4	PTOR8170WM	PLUS+TON SHOWER TRAY	16:9
PRO029C	MIKE PRO TOILET ROLL HOLDER	8:3	PTOR9120BM	PLUS+TON SHOWER TRAY	16:9
PRO0351C	MIKE PRO BATH FILLER	2:9	PTOR9120WM	PLUS+TON SHOWER TRAY	16:9
PRO036C	MIKE PRO GRAB BAR STRAIGHT	8:4	PTOR9140BM	PLUS+TON SHOWER TRAY	16:9
PRO0402C	MIKE PRO BOTTLE TRAP	2:9	PTOR9140WM	PLUS+TON SHOWER TRAY	16:9
PRO1000RC	MIKE PRO THERMO VALVE	2:15	PTOR9170BM	PLUS+TON SHOWER TRAY	16:9
PRO110DNC	MIKE PRO BASIN MONO	2:5	PTOR9170WM	PLUS+TON SHOWER TRAY	16:9
PRO111DNC	MIKE PRO BASIN MONO	2:5	Q1230L	D300 QUATTROCAST BASIN (L)	9:9
PRO114DNC	MIKE PRO BASIN MINI MONO	2:5	Q1230R	D300 QUATTROCAST BASIN (R)	9:9
PRO116DNC	MIKE PRO BASIN MONO	2:5	R38	VIRIDE OFFSET BATH	17:16
PRO120WNC	MIKE PRO BASIN TWO HOLE SET	2:7	R50B	ALL-IN-ONE FURNITURE	9:11
PRO125DNC	MIKE PRO BASIN TWO HOLE SET	2:7	R50G	ALL-IN-ONE FURNITURE	9:11
PRO130WNC	MIKE PRO BASIN THREE HOLE SET	2:7	R50O	ALL-IN-ONE FURNITURE	9:11
PRO135DNC	MIKE PRO BASIN THREE HOLE SET	2:7	R50W	ALL-IN-ONE FURNITURE	9:11
PRO1500RC	MIKE PRO THERMO VALVE	2:15	RG6005CW	STREAM II CLOSE COUPLED WC	12:15
PRO1501RC	MIKE PRO THERMO VALVE	2:15	RG6006CW	STREAM II WALL HUNG WC	12:12
PRO1510RC	MIKE PRO THERMO VALVE	2:15	RG6007CW	STREAM II BACK TO WALL WC	12:14
PRO1701RC	MIKE PRO THERMO VALVE	2:17	RG6105W	STREAM II WRAP OVER SEAT	12:12
PRO1711RC	MIKE PRO THERMO VALVE	2:17	RG7005CW	STREAM II CISTERN	12:15
PRO2000RC	MIKE PRO THERMO VALVE	2:18	RM530WC+	MULTIFUNCTION SHOWER VALVE	7:23
PRO2001RC	MIKE PRO THERMO VALVE	2:18	RV1000WB	FIXING BRACKET	7:22
PRO200C	MIKE PRO SHOWER HEAD	2:14	RV2001WB	FIXING BRACKET	7:22
PRO2500RC	MIKE PRO THERMO VALVE	2:17	SE110DNC	SVELTE BASIN MONO	6:7
PRO3000RC	MIKE PRO THERMO VALVE	2:18	SE114DNC	SVELTE BASIN MINI MONO	6:7
PRO3001RC	MIKE PRO THERMO VALVE	2:18	SE1701RC	SVELTE THERMO VALVE	6:7

SE6006CP	SVELTE WALL HUNG WC	12:11	SO5500DQZ	SOLO QUARTZ UNIT	9:3
SE6006CW	SVELTE WALL HUNG WC	12:11	SO5500DWG	SOLO WHITE GLOSS UNIT	9:3
SE6007CP	SVELTE BACK TO WALL WC	12:14	SR000Q800	QUADRANT SHOWER TRAY	16:7
SE6007CW	SVELTE BACK TO WALL WC	12:14	SR000Q900	QUADRANT SHOWER TRAY	16:7
SE6105W	SVELTE WRAP OVER SEAT	12:11	SR000S760	SQUARE SHOWER TRAY	16:7
SEFLUSHC	SVELTE CHROME FLUSH PLATE	12:18	SR000S800	SQUARE SHOWER TRAY	16:7
SH605C	WISP SHOWER HEAD	7:25	SR000S900	SQUARE SHOWER TRAY	16:7
SK520C	WISP SHOWER RAIL	7:25	SR0R7001200	RECTANGULAR SHOWER TRAY	16:7
SK812C	SHOWER KIT	7:26	SR0R7001500	RECTANGULAR SHOWER TRAY	16:7
SK822C	SHOWER KIT	7:26	SR0R7001600	RECTANGULAR SHOWER TRAY	16:7
SK962C	SHOWER KIT	7:26	SR0R7001685	RECTANGULAR SHOWER TRAY	16:7
SK963C	SHOWER KIT	7:26	SR0R71200	RECTANGULAR SHOWER TRAY	16:7
SL000Q800	QUADRANT SHOWER TRAY	16:3	SR0R81000	RECTANGULAR SHOWER TRAY	16:7
SL000Q900	QUADRANT SHOWER TRAY	16:3	SR0R81100	RECTANGULAR SHOWER TRAY	16:7
SL000S800	SQUARE SHOWER TRAY	16:3	SR0R81200	RECTANGULAR SHOWER TRAY	16:7
SL000S900	SQUARE SHOWER TRAY	16:3	SR0R81400	RECTANGULAR SHOWER TRAY	16:7
SL0R7001200	RECTANGULAR SHOWER TRAY	16:3	SR0R81500	RECTANGULAR SHOWER TRAY	16:7
SL0R7001700	RECTANGULAR SHOWER TRAY	16:3	SR0R81600	RECTANGULAR SHOWER TRAY	16:7
SL0R71000	RECTANGULAR SHOWER TRAY	16:3	SR0R91200	RECTANGULAR SHOWER TRAY	16:7
SL0R71200	RECTANGULAR SHOWER TRAY	16:3	SR0R91400	RECTANGULAR SHOWER TRAY	16:7
SL0R71400	RECTANGULAR SHOWER TRAY	16:3	SR0R91500	RECTANGULAR SHOWER TRAY	16:7
SL0R71500	RECTANGULAR SHOWER TRAY	16:3	SR0R91600	RECTANGULAR SHOWER TRAY	16:7
SL0R71600	RECTANGULAR SHOWER TRAY	16:3	SRQ81000LH	OFFSET QUADRANT SHOWER TRAY	16:7
SL0R71700	RECTANGULAR SHOWER TRAY	16:3	SRQ81000RH	OFFSET QUADRANT SHOWER TRAY	16:7
SL0R81000	RECTANGULAR SHOWER TRAY	16:3	SRQ81200LH	OFFSET QUADRANT SHOWER TRAY	16:7
SL0R81100	RECTANGULAR SHOWER TRAY	16:3	SRQ81200RH	OFFSET QUADRANT SHOWER TRAY	16:7
SL0R81200	RECTANGULAR SHOWER TRAY	16:3	SRQ91200LH	OFFSET QUADRANT SHOWER TRAY	16:7
SL0R81400	RECTANGULAR SHOWER TRAY	16:3	SRQ91200RH	OFFSET QUADRANT SHOWER TRAY	16:7
SL0R81500	RECTANGULAR SHOWER TRAY	16:3	ST000P900	PENTANGLE SHOWER TRAY	16:11
SL0R81600	RECTANGULAR SHOWER TRAY	16:3	ST000Q800	QUADRANT SHOWER TRAY	16:11
SL0R81700	RECTANGULAR SHOWER TRAY	16:3	ST000Q900	QUADRANT SHOWER TRAY	16:11
SL0R91000	RECTANGULAR SHOWER TRAY	16:3	ST000S700	SQUARE SHOWER TRAY	16:11
SL0R91100	RECTANGULAR SHOWER TRAY	16:3	ST000S760	SQUARE SHOWER TRAY	16:11
SL0R91200	RECTANGULAR SHOWER TRAY	16:3	ST000S800	SQUARE SHOWER TRAY	16:11
SL0R91400	RECTANGULAR SHOWER TRAY	16:3	ST000S900	SQUARE SHOWER TRAY	16:11
SL0R91500	RECTANGULAR SHOWER TRAY	16:3	ST00Q1000	QUADRANT SHOWER TRAY	16:11
SL0R91600	RECTANGULAR SHOWER TRAY	16:3	ST00R8900	RECTANGULAR SHOWER TRAY	16:11
SL0R91700	RECTANGULAR SHOWER TRAY	16:3	ST00S1000	SQUARE SHOWER TRAY	16:11
SLQ81000L	OFFSET QUADRANT SHOWER TRAY	16:3	STOP1000	PENTANGLE SHOWER TRAY	16:11
SLQ81000R	OFFSET QUADRANT SHOWER TRAY	16:3	STOP91200L	PENTANGLE SHOWER TRAY	16:11
SLQ81200L	OFFSET QUADRANT SHOWER TRAY	16:3	STOP91200R	PENTANGLE SHOWER TRAY	16:11
SLQ81200R	OFFSET QUADRANT SHOWER TRAY	16:3	STOP91400L	PENTANGLE SHOWER TRAY	16:11
SLQ91200L	OFFSET QUADRANT SHOWER TRAY	16:3	STOP91400R	PENTANGLE SHOWER TRAY	16:11
SLQ91200R	OFFSET QUADRANT SHOWER TRAY	16:3	STOR10120	RECTANGULAR SHOWER TRAY	16:11
SO0511SRW	SOLO BASIN	9:3	STOR101700	RECTANGULAR SHOWER TRAY	16:11
SO110DNC	SOLO BASIN MONO	6:9	STOR101800	RECTANGULAR SHOWER TRAY	16:11
SO5500DCC	SOLO CALICO UNIT	9:3	STOR102000	RECTANGULAR SHOWER TRAY	16:11
SO5500DGR	SOLO GRAPHITE UNIT	9:3	STOR70X100	RECTANGULAR SHOWER TRAY	16:11

PRODUCT INDEX

STOR70X110	RECTANGULAR SHOWER TRAY	16:11	T31	LOW LEVEL FLUSH PIPE KIT	13:7
STOR70X120	RECTANGULAR SHOWER TRAY	16:11	TBDESC0900	TEN HINGED BATH SCREEN	15:5
STOR70X150	RECTANGULAR SHOWER TRAY	16:11	TE714DC	TEMPO KITCHEN MIXER	18:3
STOR71000	RECTANGULAR SHOWER TRAY	16:11	TEFLUSHC+	TEMPO CHROME FLUSH PLATE	12:18
STOR71100	RECTANGULAR SHOWER TRAY	16:11	THDSC0800	TEN HINGED DOOR & INLINE PANEL	14:13
STOR71200	RECTANGULAR SHOWER TRAY	16:11	THDSC0900	TEN HINGED DOOR & INLINE PANEL	14:13
STOR71500	RECTANGULAR SHOWER TRAY	16:11	THDSC1000	TEN HINGED DOOR & INLINE PANEL	14:13
STOR71600	RECTANGULAR SHOWER TRAY	16:11	THDSC1200	TEN HINGED DOOR & INLINE PANEL	14:13
STOR71700	RECTANGULAR SHOWER TRAY	16:11	THDSC1400	TEN HINGED DOOR & INLINE PANEL	14:13
STOR76170	RECTANGULAR SHOWER TRAY	16:11	TQDSC0900	TEN QUADRANT DOUBLE DOOR	14:14
STOR76900	RECTANGULAR SHOWER TRAY	16:11	TQDSC1000	TEN QUADRANT DOUBLE DOOR	14:14
STOR81000	RECTANGULAR SHOWER TRAY	16:11	TSLSC1200	TEN SINGLE SLIDER	14:13
STOR81100	RECTANGULAR SHOWER TRAY	16:11	TSLSC1400	TEN SINGLE SLIDER	14:13
STOR81200	RECTANGULAR SHOWER TRAY	16:11	TSLSC1600	TEN SINGLE SLIDER	14:13
STOR81400	RECTANGULAR SHOWER TRAY	16:11	TSLSC1700	TEN SINGLE SLIDER	14:13
STOR81500	RECTANGULAR SHOWER TRAY	16:11	TSPSC0800	TEN SIDE PANEL SLIDER	14:13
STOR81600	RECTANGULAR SHOWER TRAY	16:11	TSPSC0900	TEN SIDE PANEL SLIDER	14:13
STOR81800	RECTANGULAR SHOWER TRAY	16:11	TSPSC1000	TEN SIDE PANEL SLIDER	14:13
STOR82000	RECTANGULAR SHOWER TRAY	16:11	TSPSC1200	TEN SIDE PANEL SLIDER	14:13
STOR91000	RECTANGULAR SHOWER TRAY	16:11	UM0051BCSW	TORINO B SMALL BASIN	12:9
STOR91100	RECTANGULAR SHOWER TRAY	16:11	UM0051SCW	TORINO A MIDI BASIN	12:9
STOR91200	RECTANGULAR SHOWER TRAY	16:11	UM0052SCW	CERDEÑA BASIN	12:9
STOR91500	RECTANGULAR SHOWER TRAY	16:11	UM0053SCW+	ANCONA BASIN	12:9
STOR91600	RECTANGULAR SHOWER TRAY	16:11	W31W	D300 WALL HUNG WC UNIT	9:9
STOR91700	RECTANGULAR SHOWER TRAY	16:11	W35B	WC TABLET	12:19
STOR91800	RECTANGULAR SHOWER TRAY	16:11	W35G	WC TABLET	12:19
STOR92000	RECTANGULAR SHOWER TRAY	16:11	W35O	WC TABLET	12:19
ST80X160_DA	DRYING AREA SHOWER TRAY	16:11	W35R	WC TABLET	12:19
ST80X170_DA	DRYING AREA SHOWER TRAY	16:11	W35W	WC TABLET	12:19
ST90X140_DA	DRYING AREA SHOWER TRAY	16:11	WCC47X46+	CONCEALED WC CISTERN	12:18
STQ7690L	OFFSET QUADRANT SHOWER TRAY	16:11	WCF118X50-VS	WALL HUNG WC FRAME	12:17
STQ7690R	OFFSET QUADRANT SHOWER TRAY	16:11	WCF118X50+	WALL HUNG WC FRAME	12:17
STQ81000L	OFFSET QUADRANT SHOWER TRAY	16:11	WCF82X50+	WALL HUNG WC FRAME	12:17
STQ81000R	OFFSET QUADRANT SHOWER TRAY	16:11	WCF98X50+	WALL HUNG WC FRAME	12:17
STQ81200L	OFFSET QUADRANT SHOWER TRAY	16:11	WF_BTWBATH	WALDORF BATH	17:9
STQ81200R	OFFSET QUADRANT SHOWER TRAY	16:11	WF_PLATE	WALDORF FLOOR PLATE	4:7
STQ8900L	OFFSET QUADRANT SHOWER TRAY	16:11	WF002FC	WALDORF FLOOR LEGS	4:7
STQ8900R	OFFSET QUADRANT SHOWER TRAY	16:11	WF0101CW	WALDORF PEDESTAL	13:9
STQ91200L	OFFSET QUADRANT SHOWER TRAY	16:11	WF0101CW	WALDORF PEDESTAL	13:9
STQ91200R	OFFSET QUADRANT SHOWER TRAY	16:11	WF0370WC	WALDORF BATH SPOUT	4:7
STWK81700	WALK IN SHOWER TRAY	16:11	WF0611SCW	WALDORF WASHBASIN	13:9
STWK91400	WALK IN SHOWER TRAY	16:11	WF0813SCW	WALDORF WASHBASIN	13:9
T/PARED	WALL MOUNT BASIN FIXING BOLTS	12:7	WF08C	WALDORF SHOWER HEAD	4:14
T1 CHR	TOWEL RAIL	13:3	WF1000RC_CLV	WALDORF THERMO VALVE	4:9
T22A CHR	BASIN STAND	13:5	WF1000RC+	WALDORF THERMO VALVE	4:9
T23A CHR	BASIN STAND	13:5	WF1003SCW	WALDORF WASHBASIN	13:9
T24A CHR	BASIN STAND	13:5	WF100X81C	WALDORF CONSOLE	13:9
T3 CHR	TOWEL RAIL	13:3	WF110DPC	WALDORF BASIN MONO	4:3

WF110DPC_CLV	WALDORF BASIN MONO	4:3	WS1701RC	WATER SQUARE THERMO VALVE	7:14
WF12C	WALDORF SHOWER HEAD	4:14	WS2000RC	WATER SQUARE THERMO VALVE	7:15
WF130DPC	WALDORF BASIN THREE HOLE SET	4:5	WS2000RC-VS	WATER SQUARE THERMO VALVE	7:15
WF130DPC_CLV	WALDORF BASIN THREE HOLE SET	4:5	WS2001RC	WATER SQUARE THERMO VALVE	7:15
WF131WNC	WALDORF BASIN THREE HOLE SET	4:5	WS2001RC-VS	WATER SQUARE THERMO VALVE	7:15
WF131WNC_CLV	WALDORF BASIN THREE HOLE SET	4:5	WS2500RC	WATER SQUARE THERMO VALVE	7:14
WF1500RC_CLV+	WALDORF THERMO VALVE	4:9	WS3000RC	WATER SQUARE THERMO VALVE	7:16
WF1500RC+	WALDORF THERMO VALVE	4:9	WS3000RC-VS	WATER SQUARE THERMO VALVE	7:16
WF1501RC+	WALDORF THERMO VALVE	4:11	WS3001RC	WATER SQUARE THERMO VALVE	7:16
WF1501SCW	WALDORF WASHBASIN	13:9	WS3001RC-VS	WATER SQUARE THERMO VALVE	7:16
WF150X81C	WALDORF CONSOLE	13:9	ZE013C	ZEYA TOWEL RAIL	8:5
WF2000RC_CLV+	WALDORF THERMO VALVE	4:11	ZE015C	ZEYA TOWEL RAIL SINGLE	8:5
WF2000RC+	WALDORF THERMO VALVE	4:11	ZE022C	ZEYA DOUBLE ROBE HOOK	8:5
WF2001RC_CLV+	WALDORF THERMO VALVE	4:12	ZE029C	ZEYA TOILET ROLL HOLDER	8:5
WF2500RC+	WALDORF THERMO VALVE	4:11	ZE714DC	ZEYA KITCHEN MIXER	18:4
WF3000RC_CLV+	WALDORF THERMO VALVE	4:12	ZT013C	ZEST TOWEL RING	8:7
WF3000RC+	WALDORF THERMO VALVE	4:12	ZT021C	ZEST SINGLE ROBE HOOK	8:7
WF3001RC_CLV+	WALDORF THERMO VALVE	4:12	ZT023C	ZEST TOWEL RAIL SINGLE	8:7
WF4001SCW	WALDORF WALL HUNG URINAL	13:11	ZT029C	ZEST TOILET ROLL HOLDER	8:7
WF422DC	WALDORF BATH SHOWER MIXER	4:7			
WF422DC_CLV	WALDORF BATH SHOWER MIXER	4:7			
WF6005CW	WALDORF CLOSE COUPLED WC	13:11			
WF6006CW	WALDORF WALL HUNG WC	13:11			
WF6007CW	WALDORF BACK TO WALL WC	13:11			
WF6205W	WALDORF STANDARD WC SEAT	13:11			
WF7005CW	WALDORF CLOSE COUPLED CISTERN	13:11			
WF964C_C	WALDORF SHOWER KIT	4:13			
WM0017BSCW	TURIN BASIN	12:7			
WM0132SCW	AIR 60 BASIN	12:7			
WP013C	WISP TOWEL RING	8:8			
WP021C	WISP SINGLE ROBE HOOK	8:8			
WP023C	WISP TOWEL RAIL SINGLE	8:8			
WP029C	WISP TOILET ROLL HOLDER	8:8			
WP1000RC	WISP THERMO VALVE	6:5			
WP110DNC	WISP BASIN MONO	6:5			
WP120WNC	WISP BASIN TWO HOLE SET	6:5			
WP6005CW	WISP CLOSE COUPLED WC	12:16			
WP6006CW	WISP WALL HUNG WC	12:12			
WP6007CW	WISP BACK TO WALL WC	12:13			
WP6105W	WISP WRAP OVER SEAT	12:13			
WP6106W	WISP WALL HUNG WRAP OVER SEAT	12:12			
WP7005CW+	WISP CISTERN	12:16			
WP714DC	WISP KITCHEN MIXER	18:3			
WS1000RC	WATER SQUARE THERMO VALVE	7:13			
WS1000RC-VS	WATER SQUARE THERMO VALVE	7:13			
WS1500RC	WATER SQUARE THERMO VALVE	7:13			
WS1500RC-VS	WATER SQUARE THERMO VALVE	7:13			
WS1600RC	WATER SQUARE THERMO VALVE	7:14			



www.crosswater.co.uk



www.simpsons-enclosures.co.uk



www.bauhaus-bathrooms.co.uk



www.crosswater-cucina.co.uk



www.burlingtonbathrooms.com



www.arcadebathrooms.com



www.clearwaterbaths.com



www.brittonbathrooms.com

A selection of our most popular fittings have been compiled in our spec book, to view the full collection and whole range of products please pick up a brochure or visit our website.

For more information on Crosswater Contracts please contact our team on 01322 422 743 or email contract.sales@crosswater.co.uk

www.crosswater-contracts.co.uk