

## D235 PN32

### Materials

1/4 - 2 1/2"

NO.	PART	MATERIAL	SIZE
1	Body	Bronze BS EN 1982 CC491K	-
2	Bonnet	Bronze BS EN 1982 CC491K	-
3	Stem	Brass BS EN 12164 CW602N	1/4 - 2
4	Disc	Bronze BS EN 1982 CC491K	-
6	Stuffing Box	Brass BS EN 12164 CW602N	-
8	Packing Ring	Asbestos Free WRAS Listed & Approved	-
9	Gland	Brass BS EN 12164 CW614N	-
4	Lockshield	Brass BS EN 12164 CW614N	-
15	Box Spanner	Mild Steel	-
16	Tommy Bar	Mild Steel	-



D235

### Dimensions & Weights

SIZE (inch)	WEIGHT (kg)	METRIC				L/SHIELD KEY No.	WEIGHT (lbs)	IMPERIAL			
		B	C	E	F			B	C	E	F
1/4	0.36	46	87	90	100	1	0.8	1.81	3.43	3.54	3.93
3/8	0.35	46	87	90	100	1	0.8	1.81	3.43	3.54	3.93
1/2	0.47	51	86	90	100	1	1.0	1.98	3.40	3.54	3.93
3/4	0.60	55	112	90	100	1	1.3	2.14	4.41	3.54	3.93
1	0.92	63	124	125	100	2	2.0	2.46	4.88	4.92	3.93
1 1/4	1.41	71	149	125	100	2	3.1	2.77	5.87	4.92	3.93
1 1/2	1.92	73	175	125	100	2	4.2	2.85	6.89	4.92	3.93
2	2.72	83	196	125	100	2	6.0	3.25	7.71	4.92	3.93

### Materials

2 1/2 - 3"

NO.	PART	MATERIAL	SIZE
1	Body	Bronze BS EN 1982 CC491K	-
2	Bonnet	Bronze BS EN 1982 CC491K	-
3	Stem	Brass BS EN 12164 CW602N	-
4	Disc	Bronze BS EN 1982 CC491K	-
5	Stuffing Box	Brass BS EN 1982 CC491K	-
6	Gland	Brass BS EN 12164 CW614N	-
7	Packing*	Asbestos Free	-
8	Lockshield	Brass BS EN 12164 CW614N	-
9	Gasket*	Asbestos Free	3" only

\*Recommended spares

### Dimensions & Weights

SIZE (inch)	WEIGHT (kg)	A (mm)	E (mm)
2 1/2	4.15	105	218
3	6.24	111	253

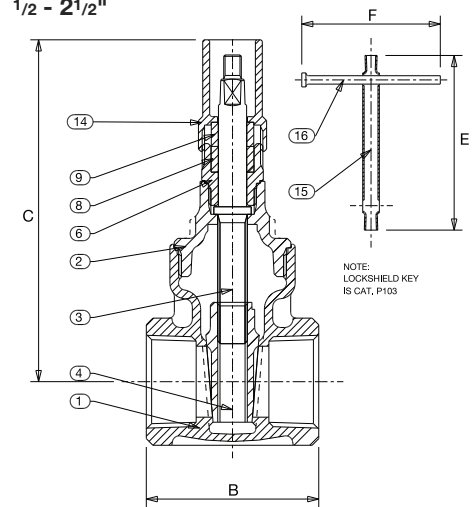
### Pressure/Temperature Ratings

TEMPERATURE (°C)	-10 to 66	100	120	150	170	180	186	198
PRESSURE (BAR)	32	32	28.3	22.8	19.2	17.4	16.2	14.0

Every effort has been made to ensure that the information contained in this publication is accurate at the time of publishing. Crane Ltd assumes no responsibility or liability for typographical errors or omissions or for any misinterpretation of the information within the publication and reserves the right to change without notice.

### Dimensional Drawings

1/2 - 2 1/2"



2 1/2 - 3"

