

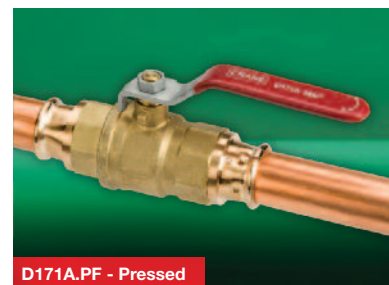
# D171A.PF Range DZR Ball Valve

## Features & Benefits

- Quarter-turn full-bore isolation valve complete with Press-Fit connectors
- Supplied as one integral unit means less joints to make on-site
- The performance, exact dimensions & tolerances are known in advance
- Incorporates both Crane Fluid Systems and proven Geberit Mapress technology
- Vibration tested to DVGW and bend tested to BS EN 331
- Quickly and easily installed using a Press-Fit tool (supplied by others)
- The D171A.PF Ball Valve is available with a variety of operator options - Extension Stem Lever (D171AEXS.PF), Lockshield (D171ALS.PF) and T-handle (D171ATH.PF)



D171A.PF



D171A.PF - Pressed

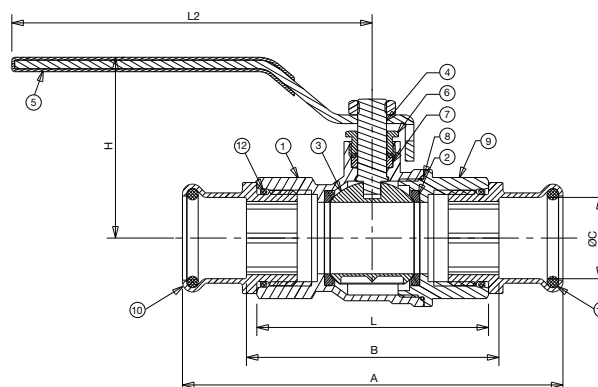
## Materials\*

NO.	COMPONENT	MATERIAL	SPECIFICATION
1	Body	DZR Brass	BSEN 12165 CW602N
2	Seat	PTFE	WRAS approved
3	Ball - 1/2" - 1"	DZR Brass	BS EN 12165 CW602N
	Ball - 1 1/4" - 2"	Bronze	BS EN 1982 CC491K
4	Stem	Brass	BSEN 12164 CW602N
5	Handle	Steel	Dacromet Plated
6	Packing Nut	DZR Brass	BSEN 12165 CW617N
7	Packing Gland	PTFE	WRAS approved
8	'O' Ring Seal	EPDM Rubber	WRAS approved
9	Seat Retainer	DZR Brass	BSEN 12165 CW602N
10	Press-Fit Connector	Bronze	BSEN 1982 CC499K
11	Connector 'O' Ring	CIIR Butyl Rubber	WRAS approved
12	Joint 'O' Ring	EPDM Rubber	WRAS approved

## Dimensions & Weights\*

SIZE (MM)	DIMENSIONS (MM)						WEIGHT (KG)
	L	A	B	ØC	L2	H	
1/2 x 15	59	104	63	15	99	48	0.319
1/2 x 18	59	105	64	18	99	48	0.323
3/4 x 22	67	118	75	22	99	51	0.463
1 x 28	80	132	85	28	125	63	0.728
1 1/4 x 35	94	152	99	35	140	78	1.146
1 1/2 x 42	102	170	102	42	140	84	1.527
2 x 54	124	205	134	54	165	98	2.382

## Dimensional Drawing\*



**PRESSURE RATING:** PN16 **TEMPERATURE RANGE:** -10 to 120°C

**OPERATOR:** Lever - D171A.PF, Extension stem lever - D171AEXS.PF, Lockshield - D171ALS.PF, and T-handle - D171ATH.PF

**CRANE FS D171A.PF SPECIFICATION CLAUSE:** DZR Brass (CW 602N) bodied end-entry Ball Valve. Full bore. Quarter-turn, lever operated. DZR brass ball chrome plated. Virgin PTFE seats, blow-out proof stem. Complete with Geberit Mapress bronze Press-Fit adaptors. Rated PN16, (Maximum temperature 120 deg C).

Other specifications clauses are available on request and on our website.

\*Information shown is for D171A.PF. Options with other operators are available on request.

**WRAS**  
APPROVED  
PRODUCT