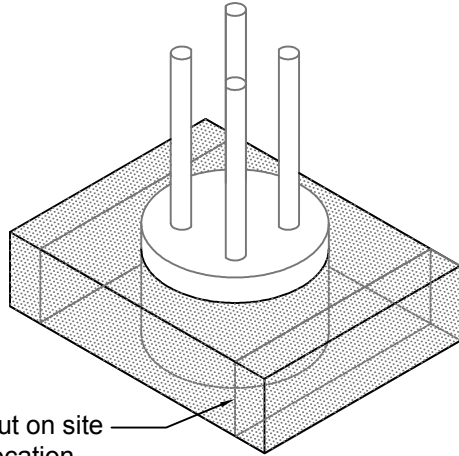
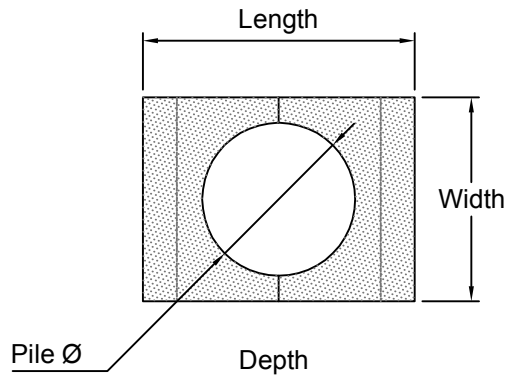
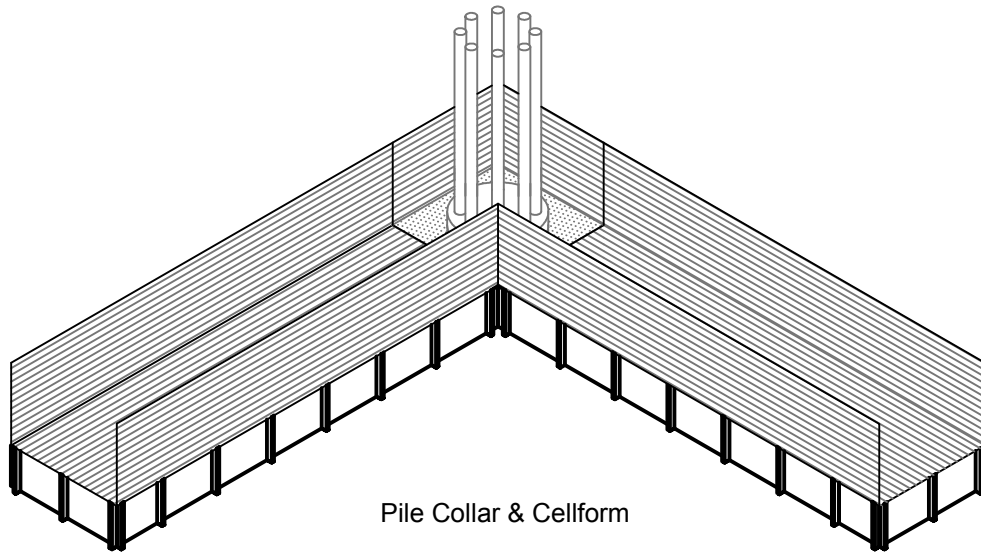
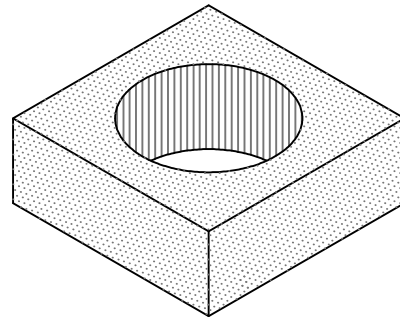


Pile Collars available with lengths, widths, depths & hole diameters to suit site specific requirements



Pile Collar cut on site to suit pile location



Pile Collar & Cellform

Standard Detail



Tel : 01403 799600

Email : techsupport@cordek.com

Drg. Title:
Standard Pile Collar Detail - Claymaster

Drawn: SJP

Date: April.2015

Scale: NTS

Drg No. ENG/GH/CLM/002

Rev.

Products :-

Cellcore & Claymaster.

Notes :-

- The appropriate specification of Cellcore and Claymaster panels should be selected based upon the information provided in the relevant Cordek technical guidance.
- Cellcore panels should be installed on a smooth, flat, well compacted surface comprising of a sand / cement or concrete blinding.
- Where necessary, joints between individual Cellcore panels should be sealed using Cordek formwork tape.
- Care should be taken not to surcharge the Cellcore panels with either reinforcement or concrete.