



ACTIVE FIRE CURTAIN BARRIER FOR THE DOMESTIC HOME

WWW.COOPERSFIRE.COM



coopers

EST. 1983

LEADING THE WAY IN FIRE PROTECTION

Vii®FIRE ACTIVE FIRE CURTAIN BARRIER FOR YOUR HOME

From architects to homeowners, Coopers' Vii®Fire domestic fire curtain barriers provide you with the means to help create modern, open plan living environments compliant with stringent fire regulations without compromising design. Sympathetic to interior aesthetics, the Vii®Fire domestic fire curtain barrier will remain hidden until deployed and is used to replace non-loadbearing walls, fire doors and un-insulated glazing.

WHAT Vii®FIRE REPLACES

- Wall
- Door
- Glazing
- Serving hatches
- Ceiling



Increasingly specified by designers as an integral component for facilitating open plan environments, Vii®Fire is the modern alternative to segregating firewalls, heavy and cumbersome fire doors and is an aesthetically pleasing replacement for traditional, industrial looking shutters.

HOW DOES IT WORK?

Made by Coopers in the UK, Vii®Fire is Third Party Accredited and has been developed to withstand temperatures of 1000C. Vii®Fire will also remain sympathetic to your interior designs by staying hidden within a ceiling or void until triggered by a fire alarm or detector, deploying under the Coopers patented Total Gravity Fail Safe (TGFS) system.

In the event of a fire, The Vii®Fire domestic fire curtain barrier will deploy to form a protective barrier that will effectively contain and compartmentalise a fire, providing the same protection as a wall or fire door and permitting safe, tenable escape.

KEY BENEFITS

- 2 Hour fire and smoke protection
- Insulating zone protecting means of escape
- Guaranteed building control approval
- Standard and bespoke sizes
- Powder coat paint available in multiple colours
- Supply only or supply and install
- Inspiring open plan living

APPLICATIONS

- Kitchen
- Hall & lobby
- Loft & cellar
- Laundry shoot
- Serving hatches
- Protecting non fire rated glazing forming a boundary protection
- Walls and floors forming a protective means of escape

PRODUCT RANGE

- Door
- Serve
- Ceiling/sky light

TESTING, ACCREDITATIONS AND CERTIFICATION

AT COOPERS, WE UNDERSTAND THE IMPORTANCE OF FIRE SAFETY BUT ALSO THE SIGNIFICANCE OF BLENDING YOUR FIRE CURTAIN BARRIER IN WITH YOUR HOME.

Why Vii®Fire?

Vii®Fire combines aesthetic subtlety with certified 2 hour protection reinforced by over 30 years experience.

Also unique is how you purchase and install Vii®Fire. Because Vii®Fire is 'plug and play' and can be installed by a competent person, you're free to purchase on a supply only arrangement, cutting both time and costs.

Alternatively, Coopers can project manage the installation from concept to commissioning, we'll even liaise with your Building Control Body, taking the uncertainty out of complying with Building Regulations.



ADDING INSULATING ZONE TO Vii®FIRE.

If you're protecting a means of escape, an insulating zone is required to protect passing occupants from radiating heat. Coopers Vii®Fire i-Zone is approved to provide an insulating zone in accordance with BSI PAS 121:2007 and will achieve radiated heat as low as 6kW/m² after 60 minutes

ADDING SMOKE CONTROL

All of our Vii®Fire fire curtain barriers can also incorporate smoke seals to help control smoke in accordance with BS EN 1634-3:2004.



Vii®FIRE CURTAIN BARRIER COMBINES AESTHETIC SUBTLETY WITH CERTIFIED 2 HOUR FIRE PROTECTION

Reveal fix

Face fix



ACCREDITATIONS

BSI PAS 121:2007
BS EN 1634-1:2008
BS EN1634-3: 2004
BS 476-6:1989
BS 476-7:1997
ISO 9001:2008
ISO 1401:2004

Meets the 'self closing without power' fire safety requirement (Approved Document B)

SUPPLY ONLY

Vii®Fire can also be supplied as a supply only option and is suitable for installation by a competent person.

SUPPLY AND INSTALL WITH FULL PROJECT MANAGEMENT

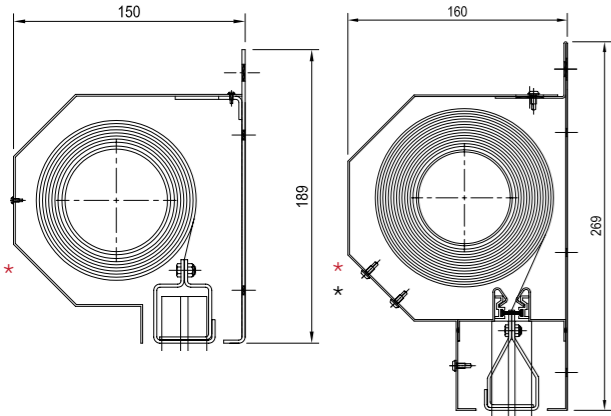
Whether you're an architect, contractor or a home owner, Coopers team of project managers and installers are dedicated to ensuring that your project meets stringent fire regulations whilst remaining sympathetic to your domestic design.

Furthermore, Coopers are Third Party Accredited for installation, commissioning and service.

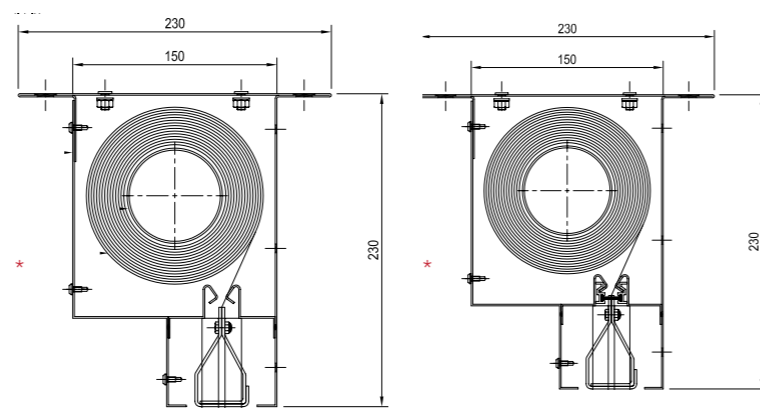
OPTIONS FOR FITTING AND CONCEALING THE HEAD BOX

With head boxes and fixing options to suit all types of ceiling configurations, Vii®Fire domestic curtain barriers are both flexible and sympathetic to interior aesthetics.

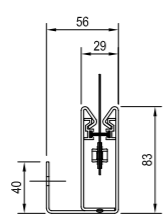
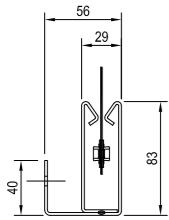
FACE FIX - HEAD BOX



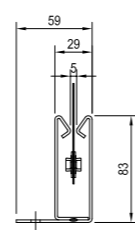
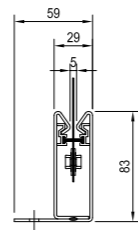
REVEAL FIX - HEAD BOX



FACE FIX - SIDE GUIDE

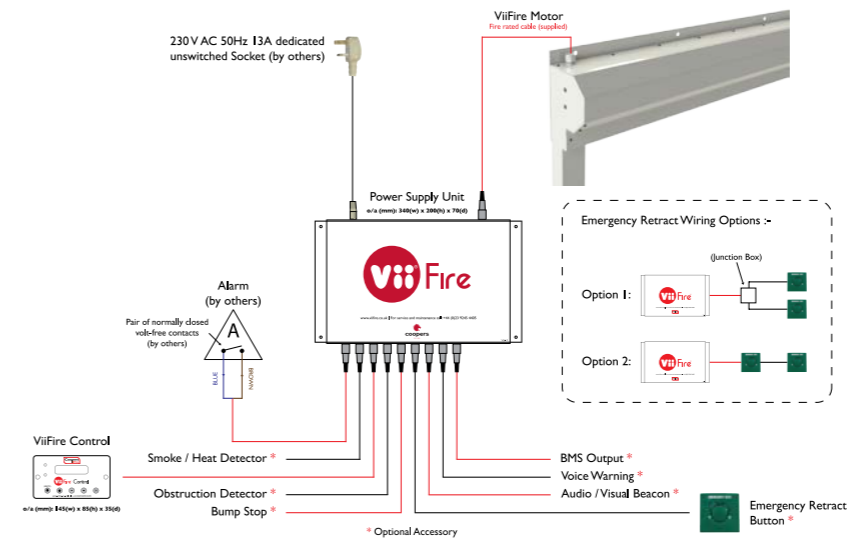


REVEAL FIX - SIDE GUIDE



* i-Zone
* Access to the headbox is gained by the front panel.

CONTROL OPTIONS



Vii®Fire is supplied with a range of control box options including the cost effective MK4-S developed for use with serving hatches and non-fire rated glazing protection.

MANDATORY SAFETY FUNCTIONS

- Total Gravity Fails Safe (TGFS)
- Total wiring corruption fail-safe by gravity
- Total control equipment fail-safe by gravity
- Safe controlled operating speeds
- Battery backup

IF FACE FIX

Use the largest dimension as your unit opening width.

IF REVEAL FIX

Use the smallest dimension as your clear opening width.

MEASURING AND ORDERING

1. Check that all walls and surfaces are suitably fire rated.
2. Ensure all fittings, if different to the standard fittings supplied are suitably fire rated and load rated. Please refer to your fixings supplier.
3. Guarantee that there are no obstructions, pipes, cables or tiles.
4. Measure the width of the opening at the top middle and bottom.

CRITICAL PERFORMANCE OPTIONS

- Fire integrity only
- Fire integrity and smoke protection
- Fire integrity and insulating zone
- Fire integrity, insulating zone and smoke protection

OPTIONAL EXTRAS

- Voice warning
- Audio / visual beacon
- Heat detector
- Smoke detector
- Beam detector
- Light curtain
- Bump stop, bottom bar edge protection
- Emergency retract button/s



FM 22356

LQR 4007272



CPD ACCREDITATIONS



TECHNICAL INFORMATION

Mechanical

- Headbox: Mild Steel 18 swg (1.2mm)
- Backplate: Mild Steel 18 swg (1.2mm)
- End Plates: Mild Steel 14 swg (2.0mm)
- Side Guides: Mild Steel 18 swg (2.0mm)
- Bottom Bar: Mild Steel 18 swg (2.0mm)

Painting & Coatings

Polyester powder coated RAL 9010 (other finishes available upon request)

ELECTRICAL INFORMATION

Motor

24Vdc Patented Total Gravity Fail Safe (TGFS)

Controls

Emergency power unit plug and play pre-wired Mild Steel – 340Width x 200 Height x 70 Depth (Clearance is required for connectors)

Power

230Vac – 50Hz via IEC power inlet (110Vac available on request)

Accessory Fuse

1A anti-surge (T1A)

Battery Fuse

3.15A anti-surge

Batteries

2 no. 12V, 1.2Ahr Sealed Lead Acid in series

Alarm

Pair of normally closed volt-free contact (by others) smoke detector or heat detector, test key-switch

Sockets

Motor
IEC Main in
Alarm
Detector (smoke/heat)
Obstruction Detector (beam or curtain)
Bump stop, bottom bar edge protection
Emergency Retract
Audio/Visual Beacon
Voice Warning



For information, to get a quote
or to book a CPD workshop

Please call:

+44 (0)2392 454 405

or E-mail: info@coopersfire.com

WWW.COOPERSFIRE.COM

Coopers Fire Ltd,
Edward House, Penner Road,
Havant, Hampshire, PO9 1QZ
United Kingdom

Phone: +44 (0)2392 454 405

Fax: +44 (0)2392 492 732

Email: info@coopersfire.com

Web: www.coopersfire.com

Coopers Fire Ltd has a policy of
continuous product improvement.

As such we reserve the right to
change design and specifications
without prior notice.

Please check our website for the
latest information.

© Coopers Fire Ltd. All content and products are copyright
of Coopers Fire Ltd. Registered in England Number: 2010274.
Multiple patents granted and pending.