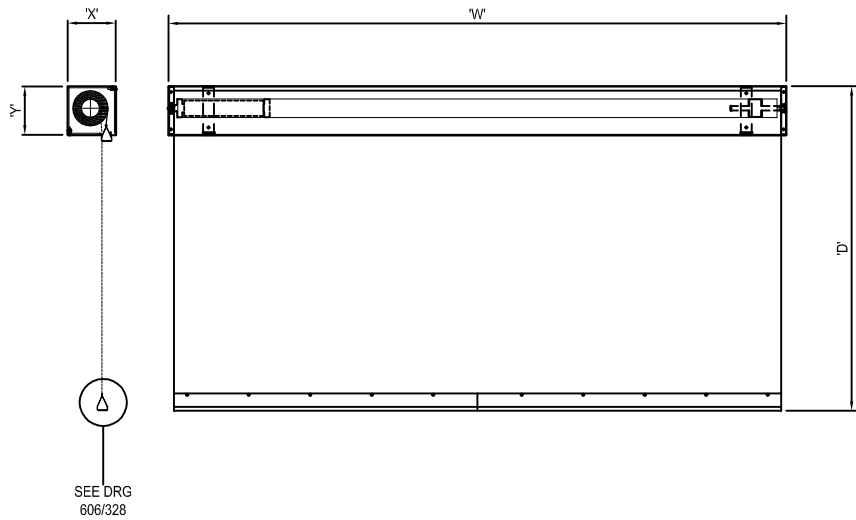
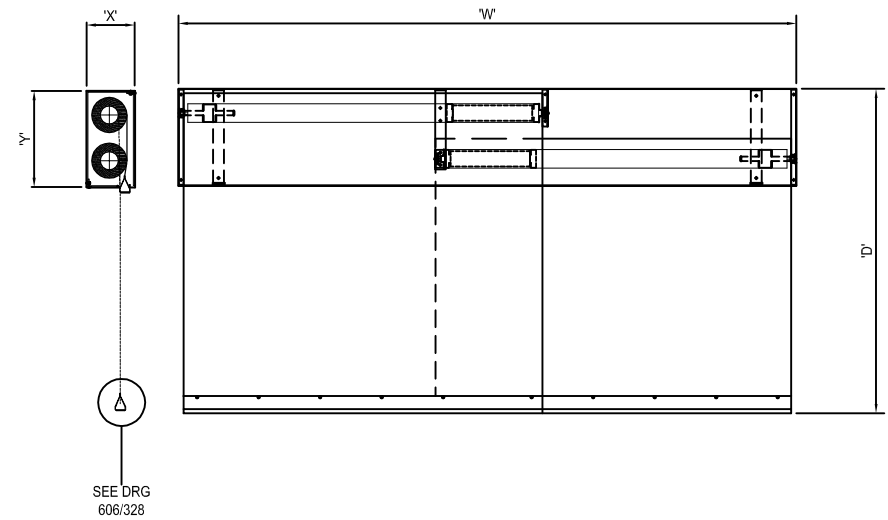


SINGLE ROLLER UNIT



W	D	X (mm)	Y (mm)
< 5m	< 5m	150	150
< 5m	< 10m	180	180

MULTIPLE ROLLER UNIT



W	D	X (mm)	Y (mm)
Unlimited	< 5m	150	280
Unlimited	< 10m	180	360



Edward House, Penner Road,
Havant, Hampshire, PO9 1QZ, UK

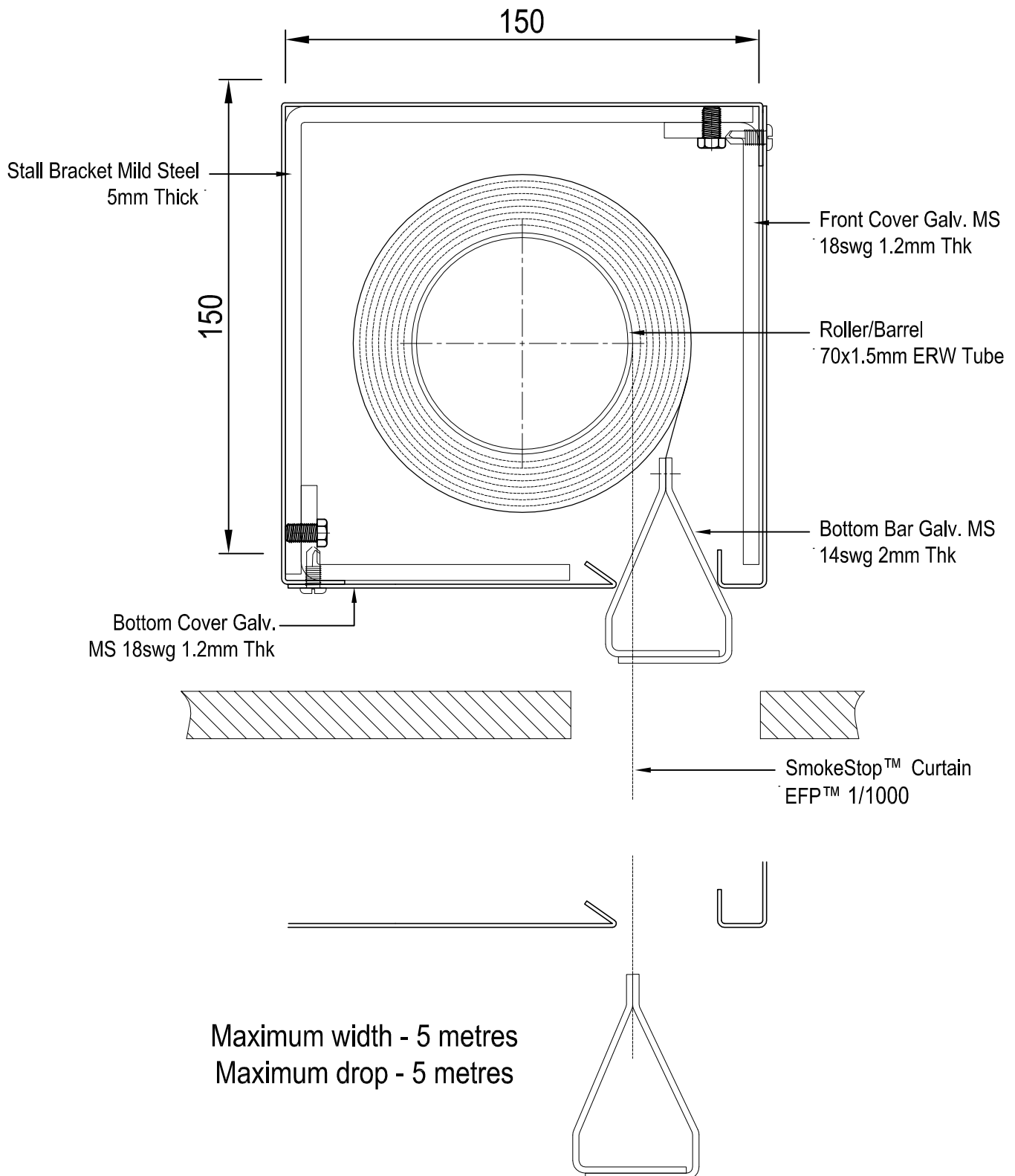
Tel: +44 (0) 23 9245 4405
Fax: +44 (0) 23 9249 2732

Email: info@coopersfire.com
Web: www.coopersfire.com

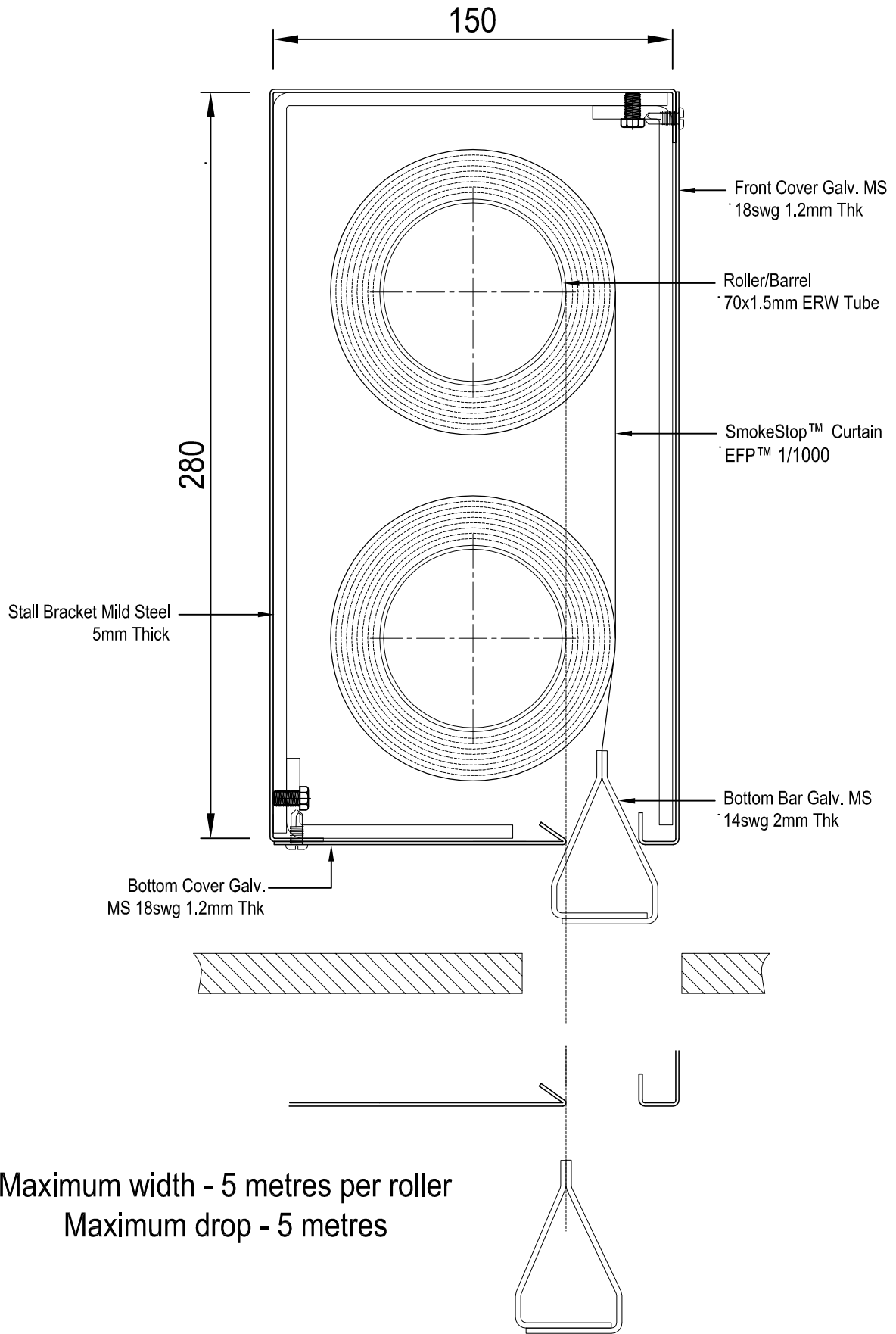
DRAWN: ML	TITLE: SMOKESTOP™ SMOKE CURTAIN MATRIX OF SIZES	
CHECKED: JR	© 1997 A COOPER GROUP LIMITED ALL RIGHTS RESERVED. THIS DESIGN MAY NOT BE REPRODUCED IN ANY MATERIAL FORM, INCLUDING ELECTRONICALLY WITHOUT THE WRITTEN PERMISSION OF THE COPYRIGHT NAMES	ALL DIMENSION IN MILLIMETERS UNLESS OTHERWISE STATED
APPROVED: JR	DRG. No. 600/600/MK	ISSUE: D DATE: 24.02.2014

NOTE: - SIZES OUTSIDE THESE STANDARDS - PLEASE CONTACT COOPERS

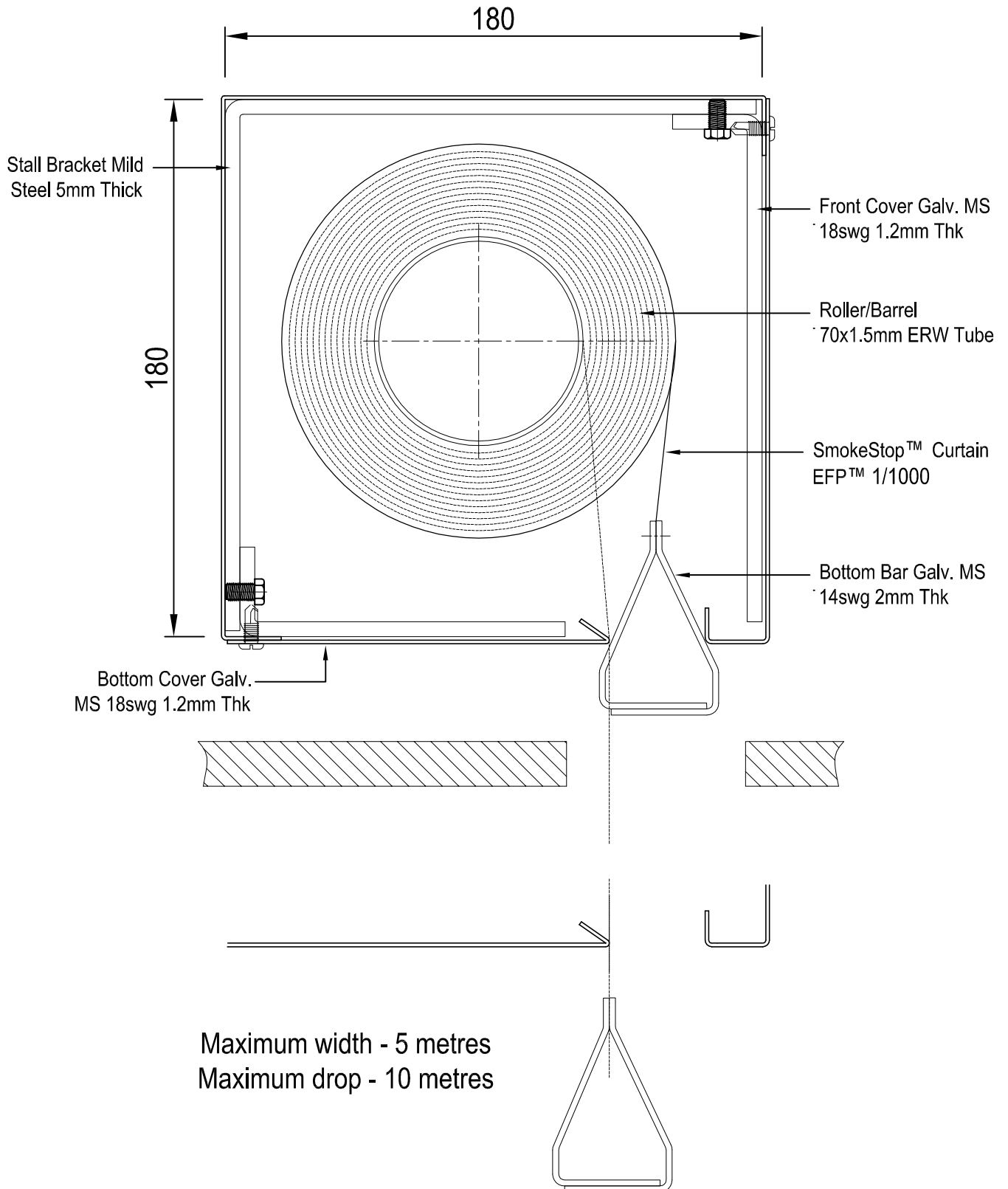
SS 15/15



SS 15/28

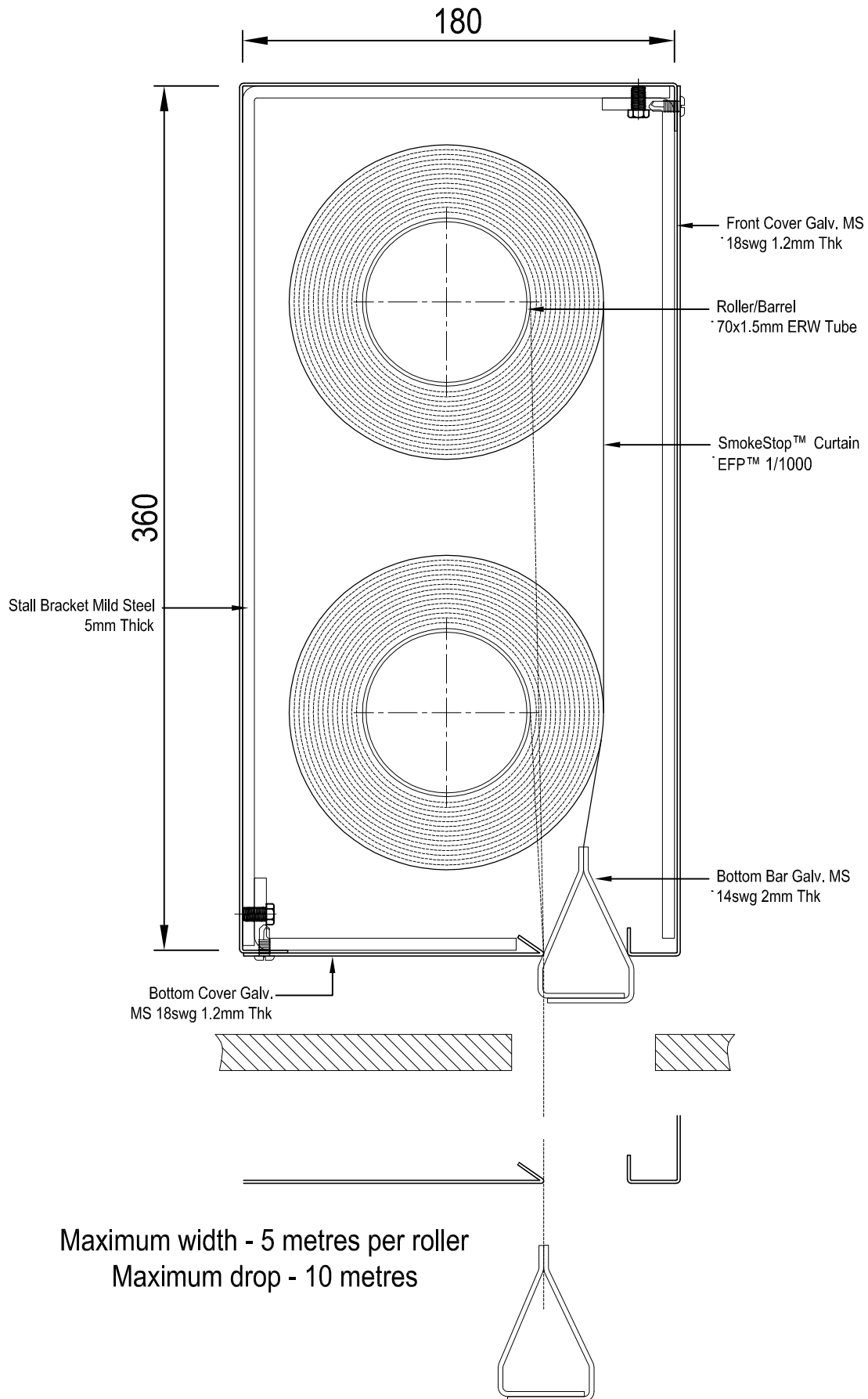


SS 18/18

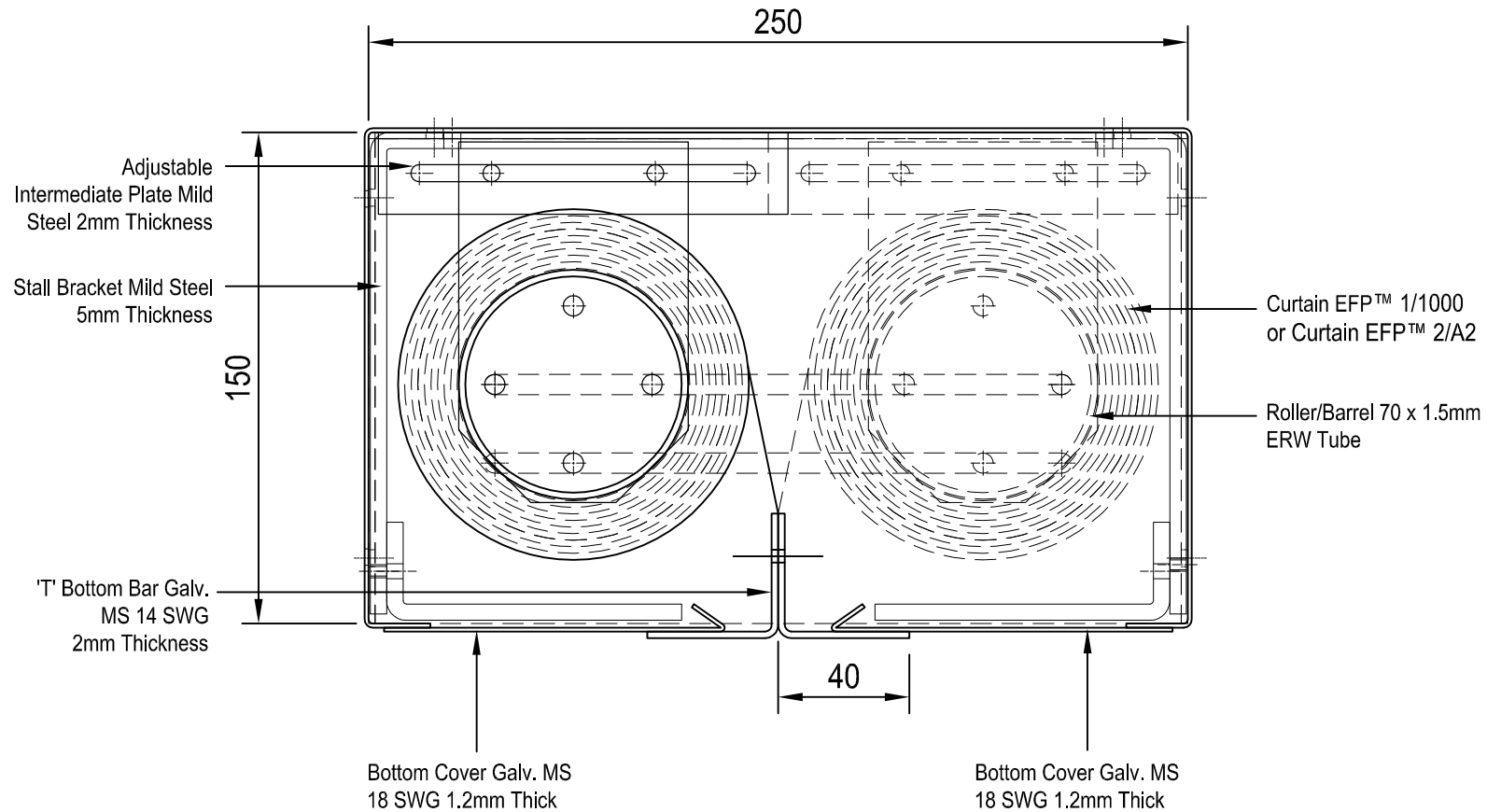


DRAWN: ML	TITLE: SMOKESTOP™ STANDARD CURTAIN 180 x 180 HEADBOX DETAILS	
CHECKED: JR	© 1997 A COOPER GROUP LIMITED ALL RIGHTS RESERVED. THIS DESIGN MAY NOT BE REPRODUCED IN ANY MATERIAL FORM, INCLUDING ELECTRONICALLY WITHOUT THE WRITTEN PERMISSION OF THE COPYRIGHT NAMES	ALL DIMENSION IN MILLIMETERS UNLESS OTHERWISE STATED
APPROVED: CJL	DRG. No. 606/256/MK	ISSUE: G DATE: 24.02.2014

SS 18/36



SIDE BY SIDE MULTIPLE ROLLER UNIT



Maximum Width - Unlimited
Maximum Drop - 5 metres



Edward House, Penner Road,
Havant, Hampshire, PO9 1QZ, UK
Tel: +44 (0) 23 9245 4405
Fax: +44 (0) 23 9249 2732
Email: info@coopersfire.com
Web: www.coopersfire.com

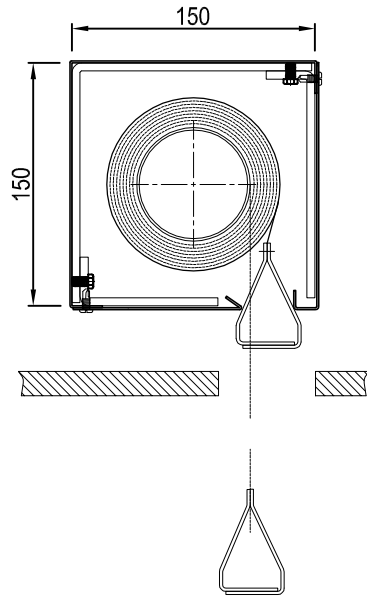
DRAWN:	TITLE:	
ML	SMOKESTOP™ SIDE BY SIDE 250 X 150 HEADBOX DETAIL	
CHECKED:	© 1987 A COOPER GROUP LIMITED ALL RIGHTS RESERVED. THIS DESIGN MAY NOT BE REPRODUCED IN ANY MATERIAL FORM, INCLUDING ELECTRONICALLY WITHOUT THE WRITTEN PERMISSION OF THE COPYRIGHT NAMES	ALL DIMENSION IN MILLIMETERS UNLESS OTHERWISE STATED
JR	DRG. No.	ISSUE:
JR	606/260/MK	D
		DATE: 24.02.2014

NOTE: - SIZES OUTSIDE THESE STANDARDS - PLEASE CONTACT COOPERS

SMOKESTOP™ SMOKE CURTAIN STANDARD HEADBOXING CONFIGURATION SECTIONS

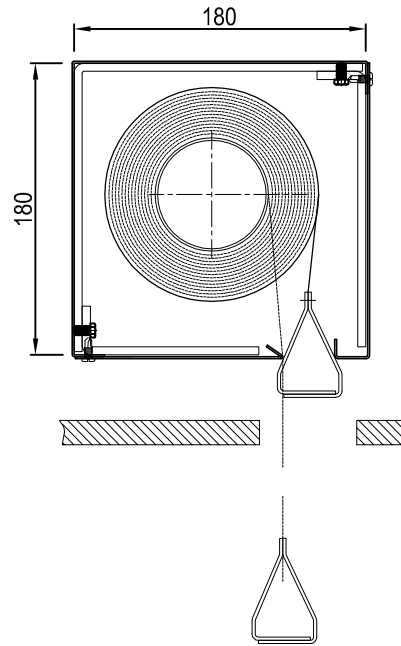
SINGLE ROLLER UNITS

SS 15/15



Maximum Width - 5 metres*
Maximum Drop - 5 metres

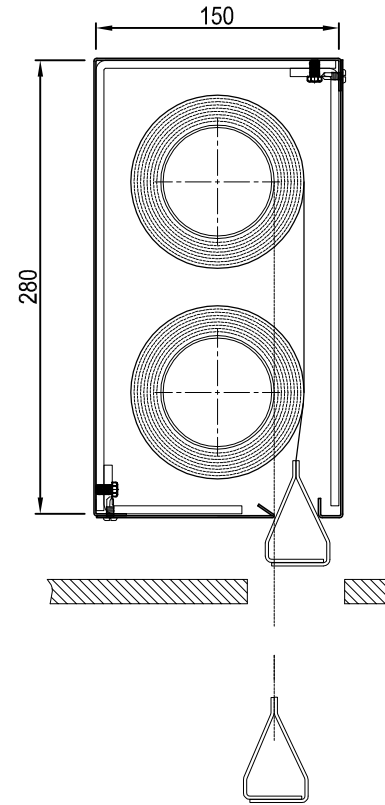
SS 18/18



Maximum Width - 5 metres*
Maximum Drop - 10 metres

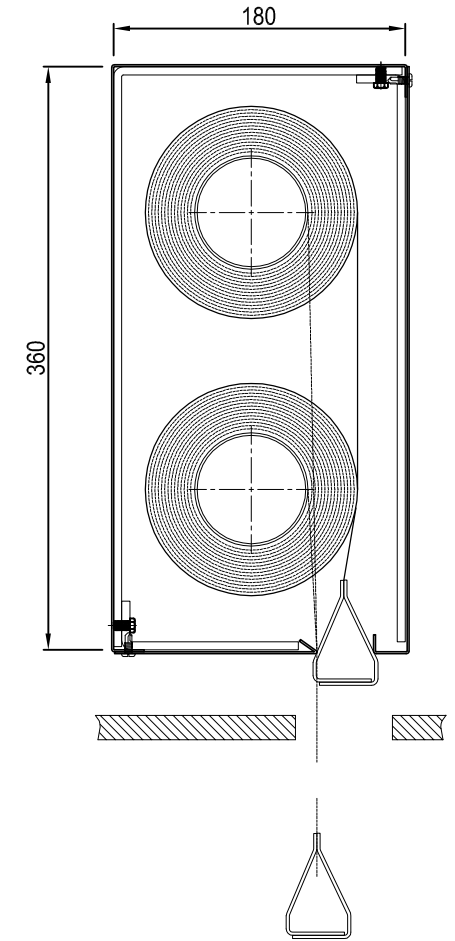
MULTIPLE ROLLER UNITS

SS 15/28



Maximum Width - Unlimited
Maximum Drop - 5 metres

SS 18/36



Maximum Width - Unlimited
Maximum Drop - 10 metres



Edward House, Penner Road,
Havant, Hampshire, PO9 1QZ, UK

Tel: +44 (0) 23 9245 4405
Fax: +44 (0) 23 9249 2732

Email: info@coopersfire.com
Web: www.coopersfire.com

DRAWN:	TITLE:	
ML	SMOKESTOP™ SMOKE CURTAIN HEADBOX CONFIGURATION	
CHECKED:	© 1997 A COOPER GROUP LIMITED. ALL RIGHTS RESERVED. THIS DESIGN MAY NOT BE REPRODUCED IN ANY MATERIAL FORM, INCLUDING ELECTRONICALLY WITHOUT THE WRITTEN PERMISSION OF THE COPYRIGHT NAMES.	ALL DIMENSION IN MILLIMETERS UNLESS OTHERWISE STATED
JR		
APPROVED:	DRG. No.	ISSUE:
JR	600/223/MK	I
		DATE: 24.02.2014

* DENOTES STANDARD SIZES. SIZES GREATER THAN STATED PLEASE CONTACT COOPERS