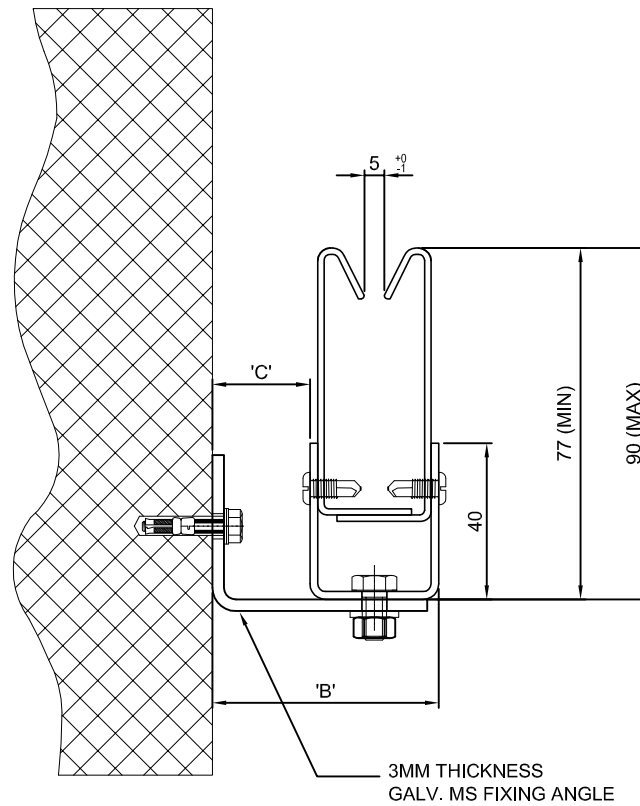
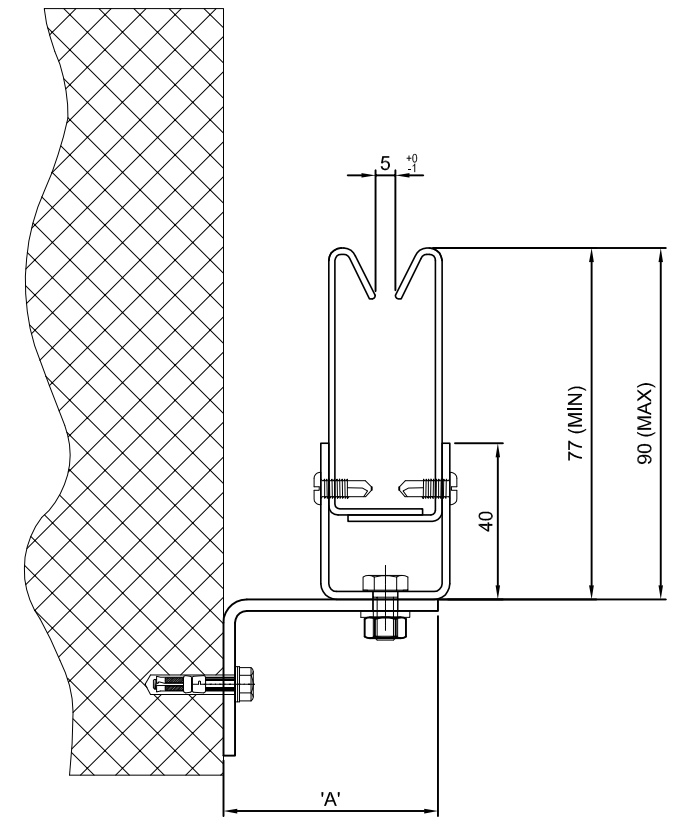


SIDE MOUNTED  
SIDE GUIDE DETAILS



REVERSE MOUNTED  
SIDE GUIDE DETAILS (OPTION 1)



REVERSE MOUNTED  
SIDE GUIDE DETAILS (OPTION 2)

FIXING ANGLE DIMENSION

HEADBOX	'A'	'B'	'C'
FM15/20	55MM	58MM	25MM
FM18/22	55MM	58MM	25MM
FM18/26	55MM	58MM	25MM
FM18/34	55MM	58MM	25MM
FM20/40	59MM	62MM	29MM

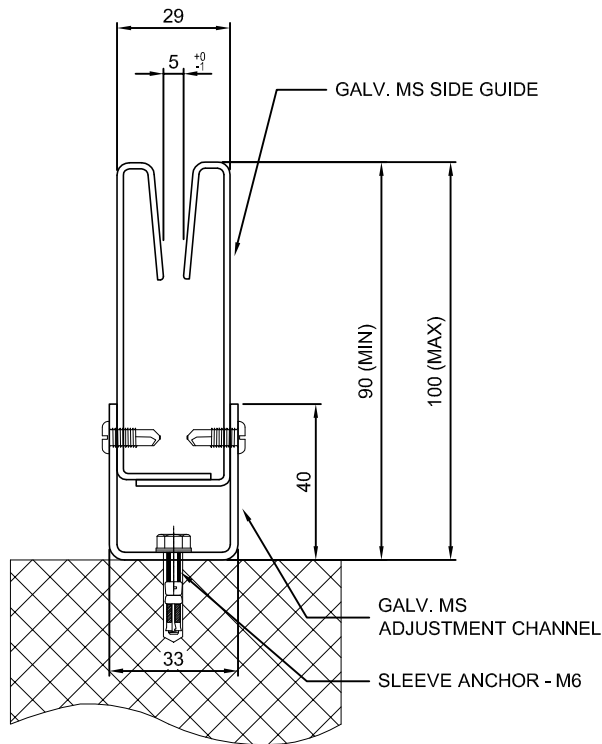


Edward House, Fenner Road,  
Havant, Hampshire, PO9 1QZ, UK

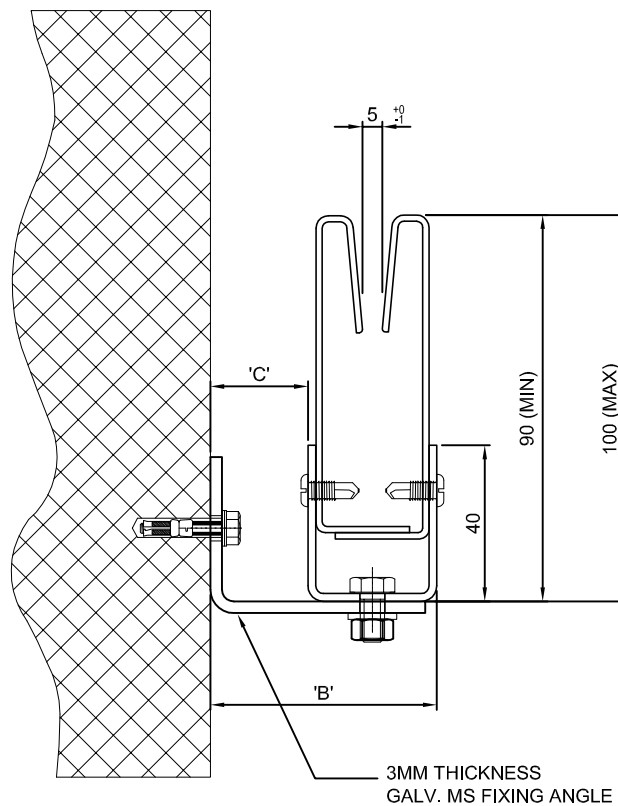
Tel: +44 (0) 23 9245 4405  
Fax: +44 (0) 23 9249 2732

Email: info@coopersfire.com  
Web: www.coopersfire.com

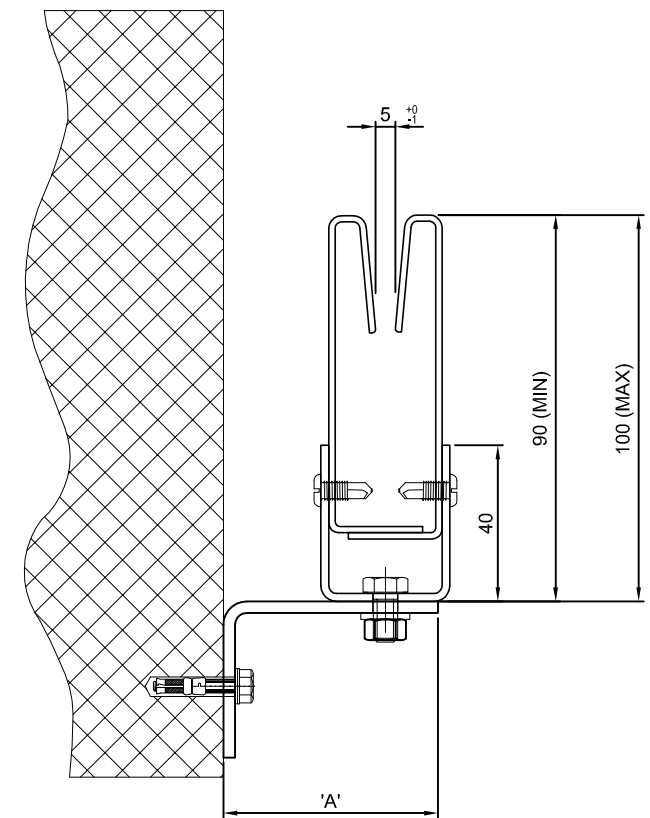
DRAWN: ML	TITLE: FIREMASTER® 70MM SIDE GUIDE FIXING CONFIGURATION
CHECKED: JR	© 1997 A COOPER GROUP LIMITED ALL RIGHTS RESERVED. THIS DESIGN MAY NOT BE REPRODUCED IN ANY MATERIAL FORM, INCLUDING ELECTRONICALLY, WITHOUT THE WRITTEN PERMISSION OF THE COPYRIGHT NAMES ALL DIMENSION IN MILLIMETERS UNLESS OTHERWISE STATED
APPROVED: CJL	DRG. No. 600/607//MK ISSUE: C DATE: 24.02.2014



SIDE MOUNTED  
SIDE GUIDE DETAILS



REVERSE MOUNTED  
SIDE GUIDE DETAILS (OPTION 1)



REVERSE MOUNTED  
SIDE GUIDE DETAILS (OPTION 2)

FIXING ANGLE DIMENSION

HEADBOX	'A'	'B'	'C'
FM15/20	55MM	58MM	25MM
FM18/22	55MM	58MM	25MM
FM18/26	55MM	58MM	25MM
FM18/34	55MM	58MM	25MM
FM20/40	59MM	62MM	29MM



Edward House, Fenner Road,  
Havant, Hampshire, PO9 1QZ, UK

Tel: +44 (0) 23 9245 4405  
Fax: +44 (0) 23 9249 2732

Email: info@coopersfire.com  
Web: www.coopersfire.com

DRAWN: ML	TITLE: FIREMASTER® SIDE GUIDE FIXING CONFIGURATION
CHECKED: JR	© 1997 A COOPER GROUP LIMITED ALL RIGHTS RESERVED. THIS DESIGN MAY NOT BE REPRODUCED IN ANY MATERIAL FORM, INCLUDING ELECTRONICALLY, WITHOUT THE WRITTEN PERMISSION OF THE COPYRIGHT NAMES ALL DIMENSION IN MILLIMETERS UNLESS OTHERWISE STATED
APPROVED: CJL	DRG. No. 600/133/MK ISSUE: F DATE: 24.02.2014