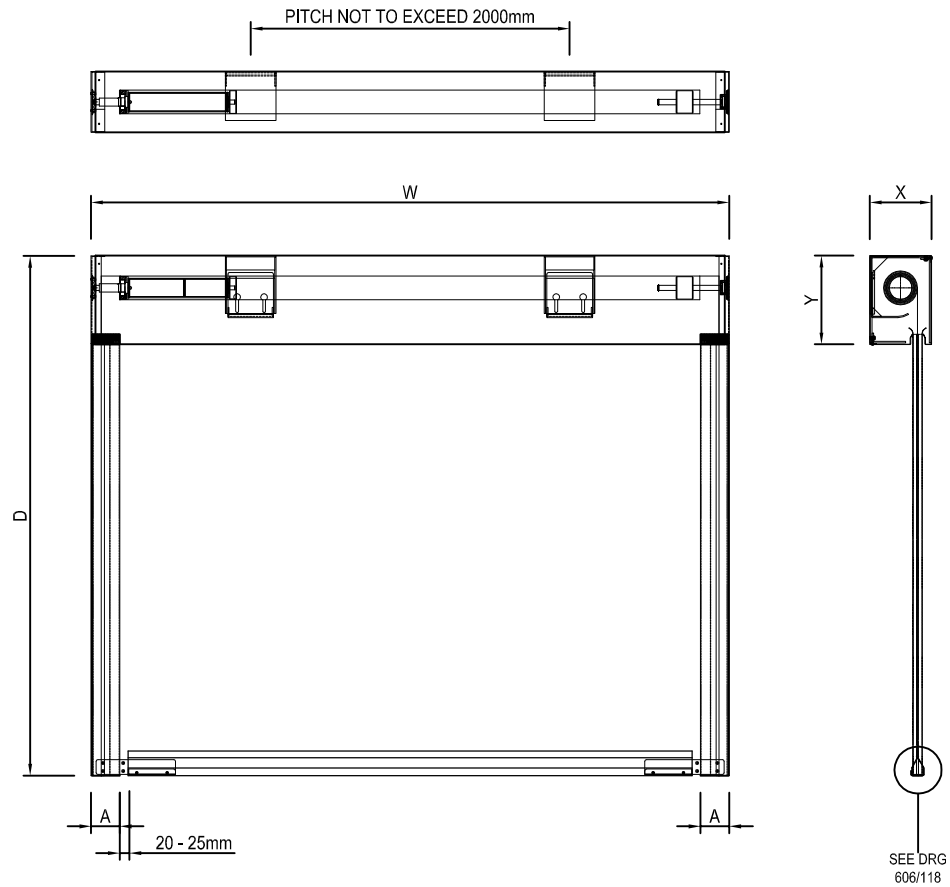
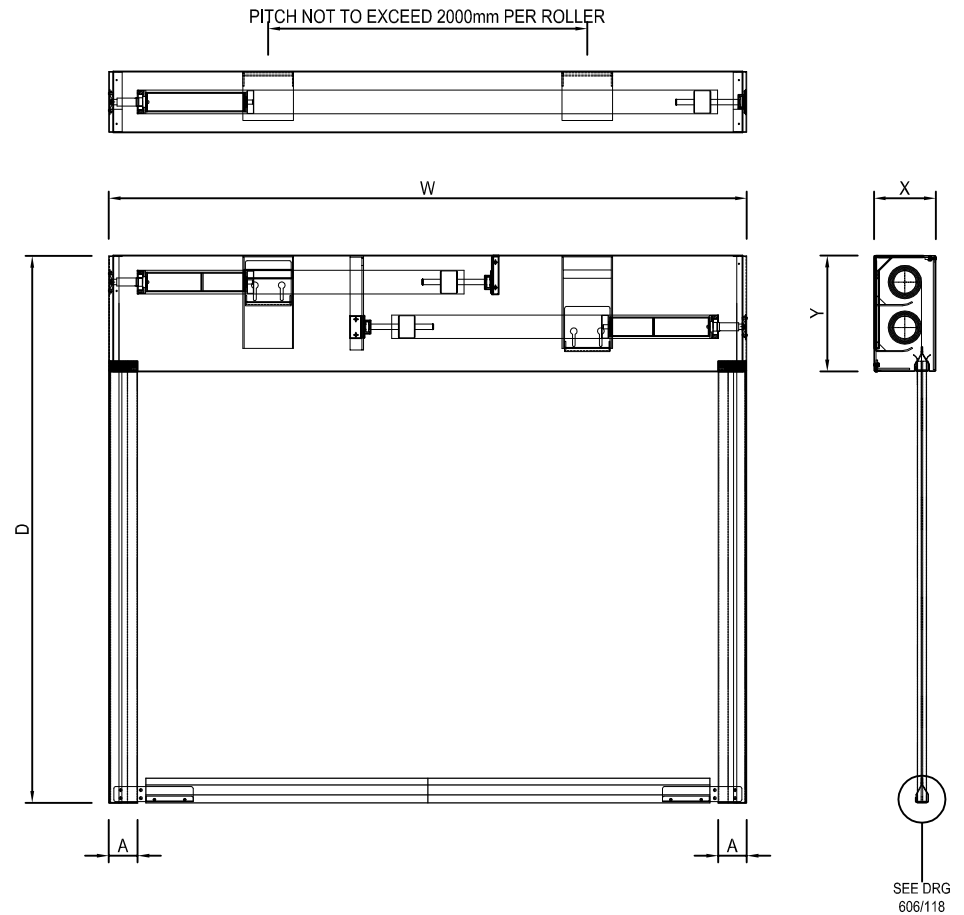


SINGLE ROLLER UNIT



W	D	A (mm)	X (mm)	Y (mm)
< 5m	< 4m	90 - 100	150	200
< 5m	< 6m	90 - 100	180	220
< 5m	< 8m	90 - 100	180	260

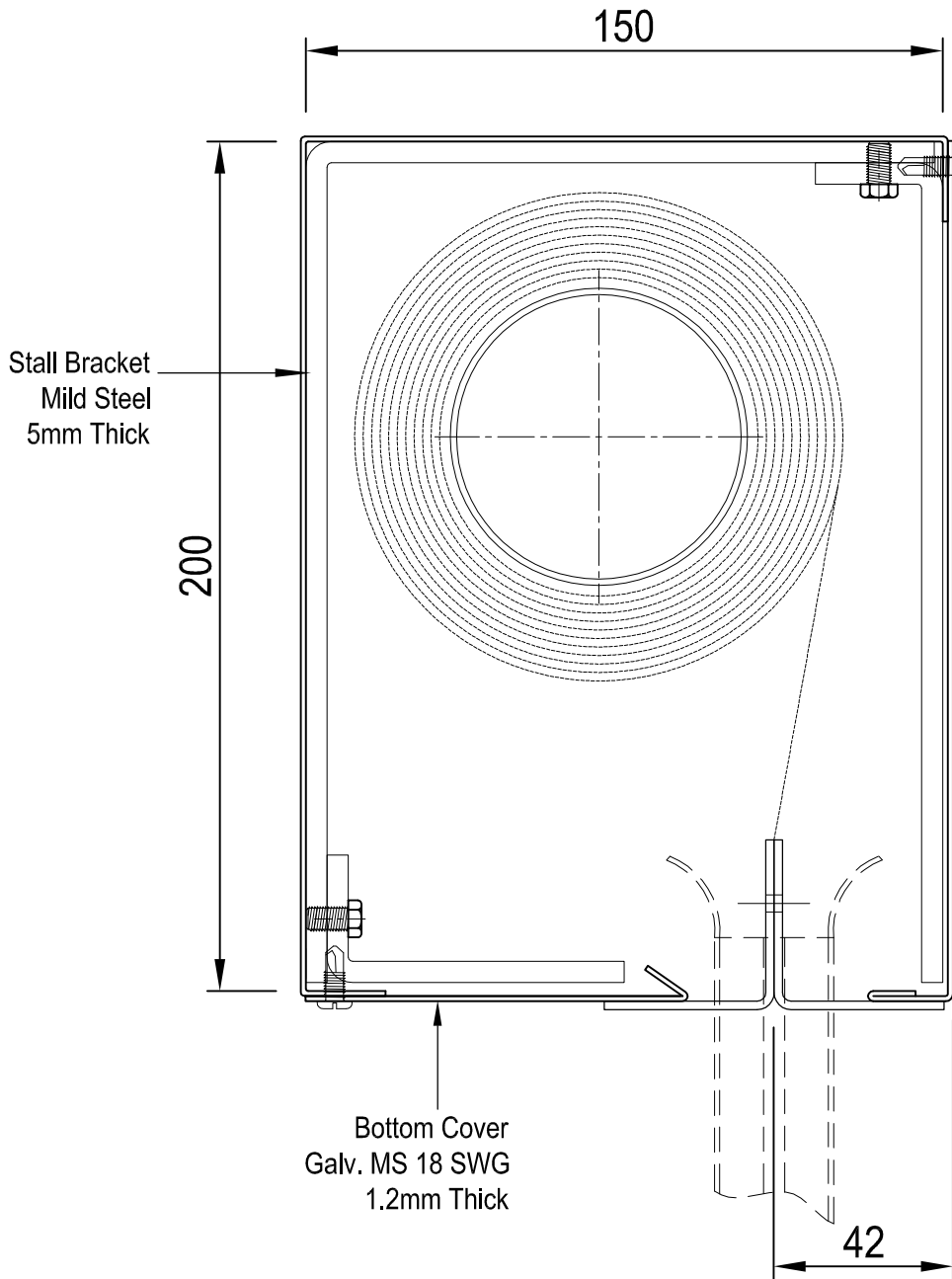
MULTIPLE ROLLER UNIT



W	D	A (mm)	X (mm)	Y (mm)
Unlimited	< 4m	90 - 100	180	340
Unlimited	< 8m	90 - 100	200	400

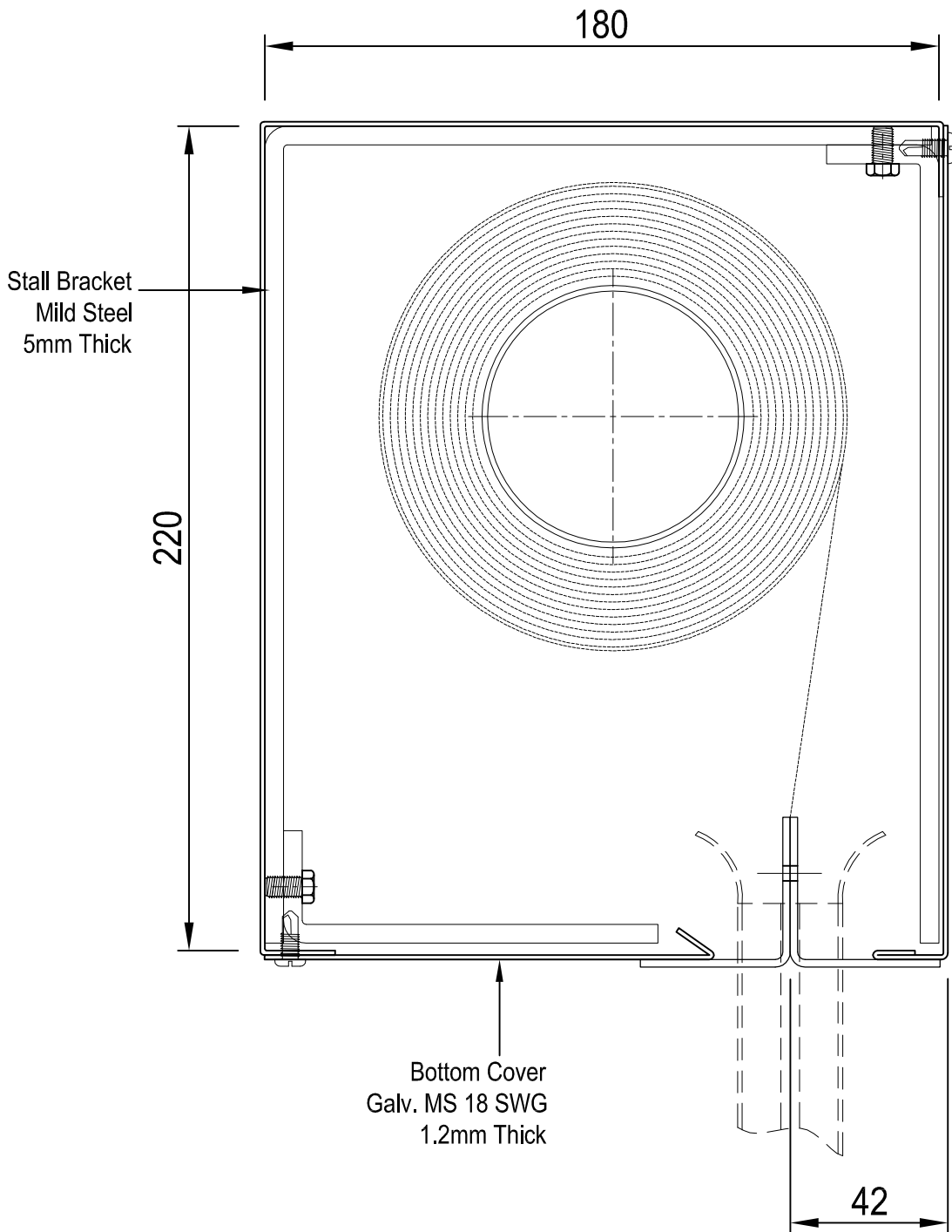
DRAWN: ML	TITLE: FIREMASTER® FIRE CURTAIN MATRIX OF SIZES
CHECKED: JR	© 1997 A COOPER GROUP LIMITED ALL RIGHTS RESERVED. THIS DESIGN MAY NOT BE REPRODUCED IN ANY MATERIAL FORM, INCLUDING ELECTRONICALLY WITHOUT THE WRITTEN PERMISSION OF THE COPYRIGHT NAMES
APPROVED: CJL	DRG. No. 606/117//MK
	ALL DIMENSION IN MILLIMETERS UNLESS OTHERWISE STATED
	ISSUE: E
	DATE: 24.02.2014

FM 15/20



Maximum width - 5 metres
Maximum drop - 4 metres

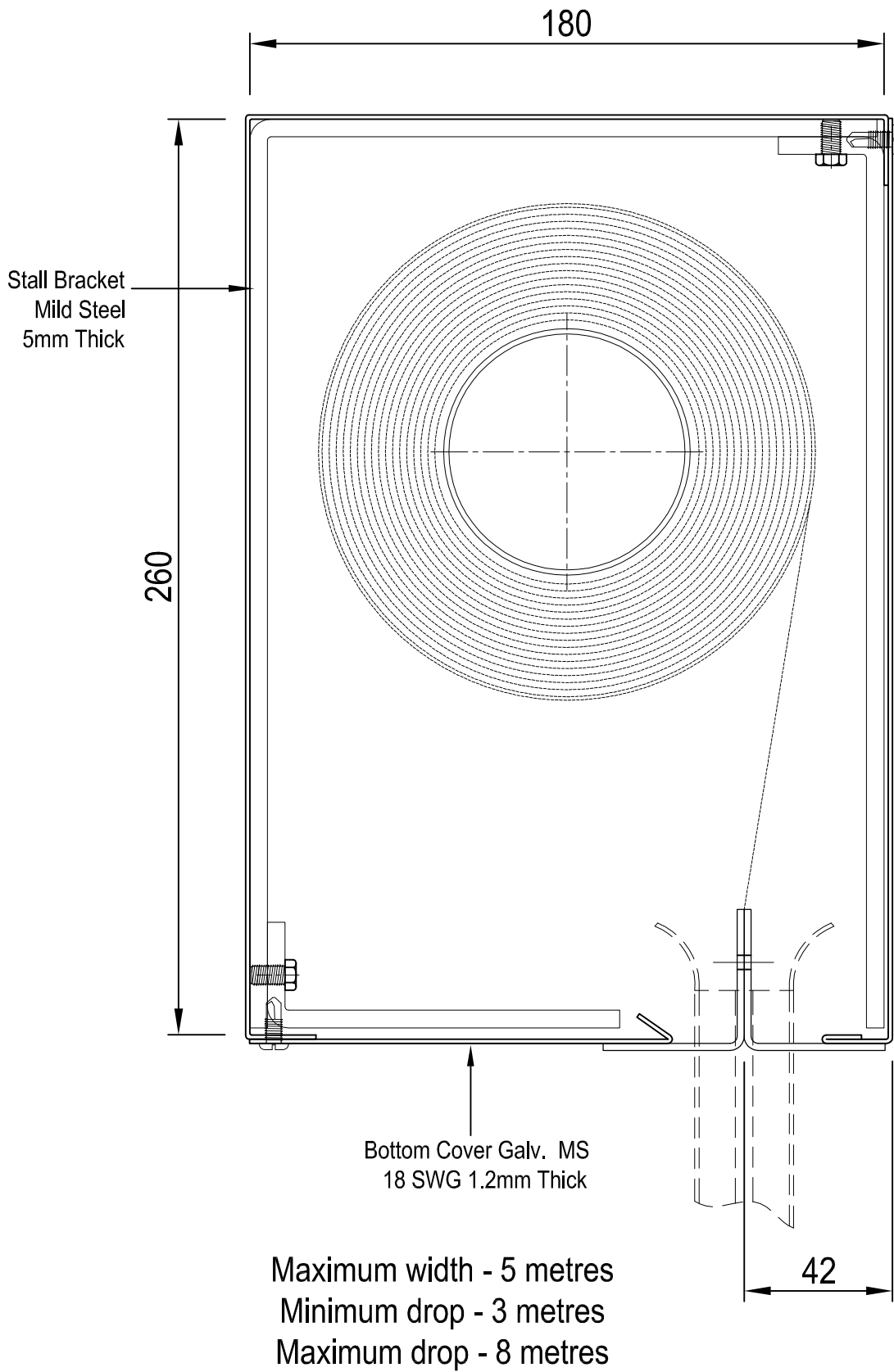
FM 18/22



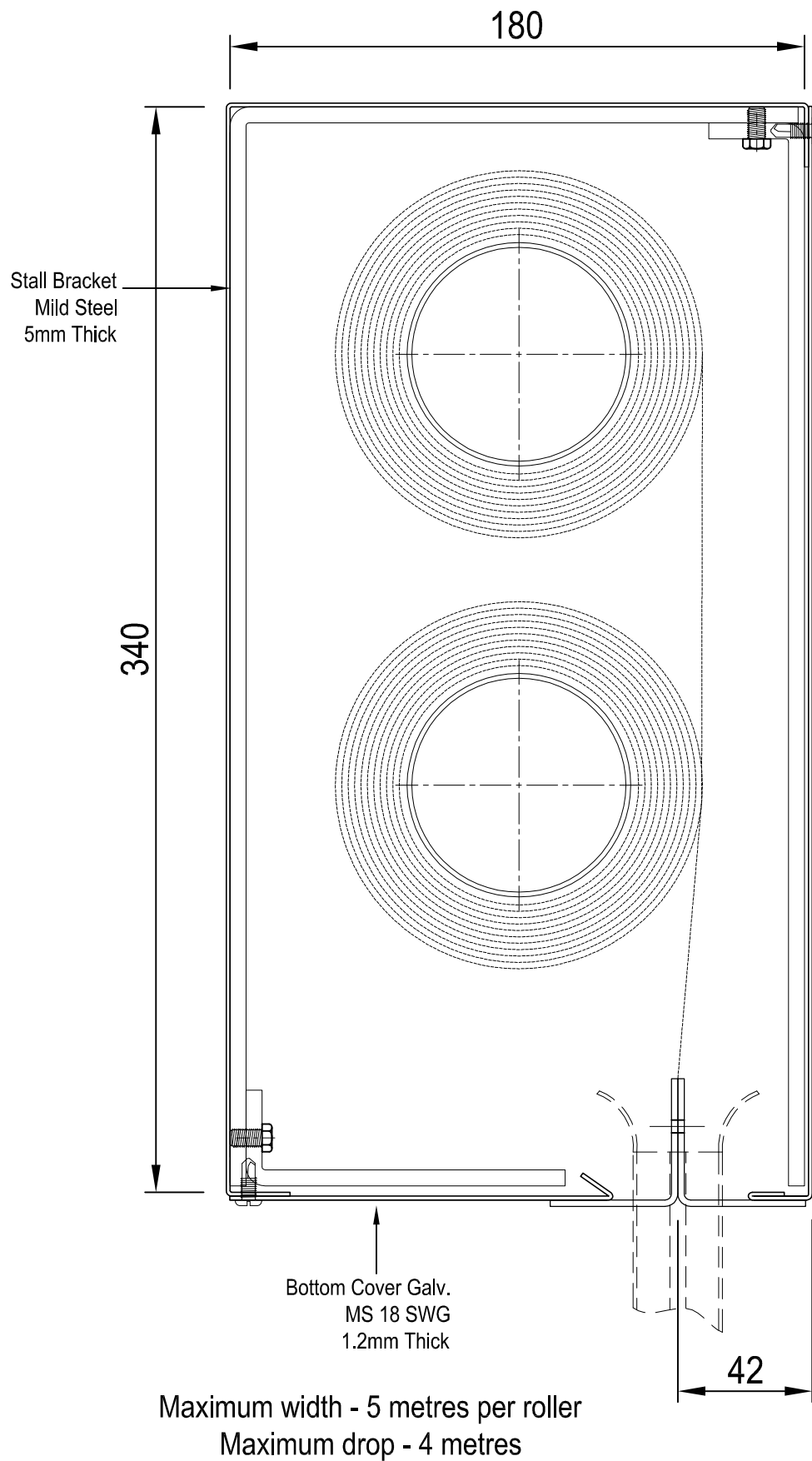
Maximum width - 5 metres
 Minimum drop - 3 metres
 Maximum drop - 6 metres

DRAWN: ML	TITLE: FIREMASTER® FIRE CURTAIN 180 x 220 HEADBOX DETAILS - T BAR	
CHECKED: JR	© 1997 A COOPER GROUP LIMITED ALL RIGHTS RESERVED. THIS DESIGN MAY NOT BE REPRODUCED IN ANY MATERIAL FORM, INCLUDING ELECTRONICALLY WITHOUT THE WRITTEN PERMISSION OF THE COPYRIGHT NAMES	ALL DIMENSION IN MILLIMETERS UNLESS OTHERWISE STATED
APPROVED: CJL	DRG. No. 606/261/MK	ISSUE: D DATE: 24.02.2014

FM 18/26



FM 18/34

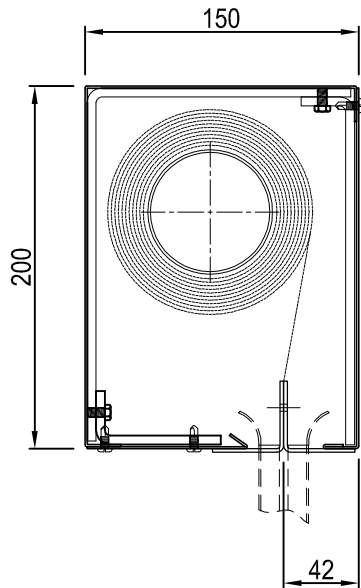


DRAWN: ML	TITLE: FIREMASTER® FIRE CURTAIN 180 x 340 HEADBOX DETAILS - T BAR	
CHECKED: JR	© 1997 A COOPER GROUP LIMITED ALL RIGHTS RESERVED. THIS DESIGN MAY NOT BE REPRODUCED IN ANY MATERIAL FORM, INCLUDING ELECTRONICALLY WITHOUT THE WRITTEN PERMISSION OF THE COPYRIGHT NAMES	ALL DIMENSION IN MILLIMETERS UNLESS OTHERWISE STATED
APPROVED: CJL	DRG. No. 606/267/MK	ISSUE: C DATE: 24.02.2014

FIREMASTER® FIRE CURTAIN STANDARD HEADBOX CONFIGURATION SECTIONS

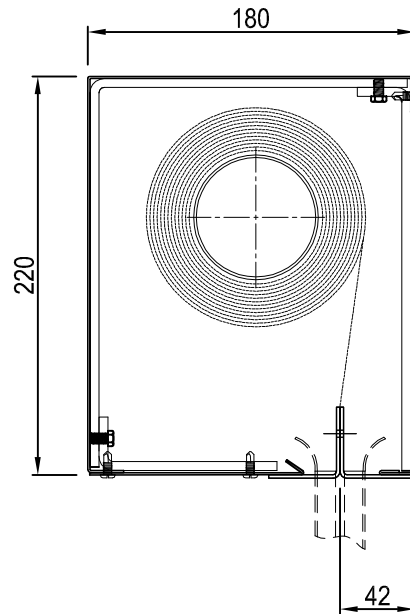
SINGLE ROLLER UNITS

FM 15/20



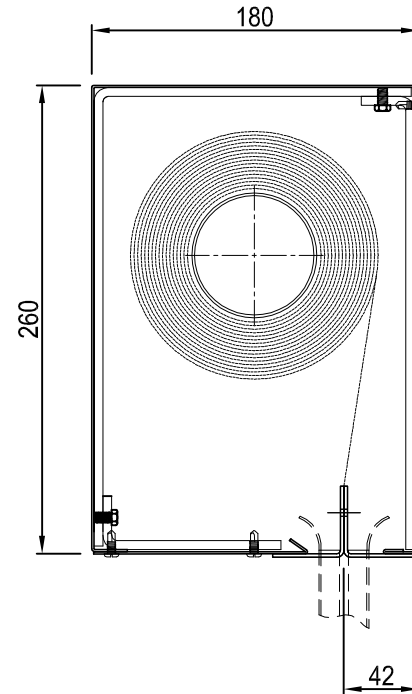
Maximum Width - 5 metres*
Maximum Drop - 4 metres

FM 18/22



Maximum Width - 5 metres*
Maximum Drop - 6 metres

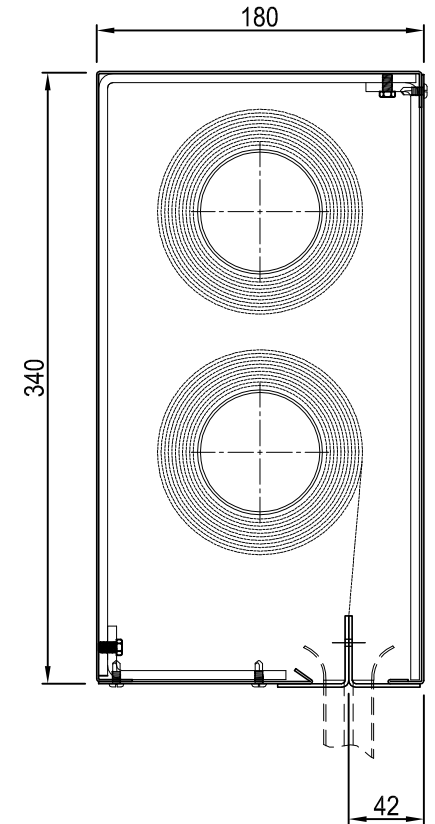
FM 18/26



Maximum Width - 5 metres*
Maximum Drop - 8 metres

MULTIPLE ROLLER UNITS

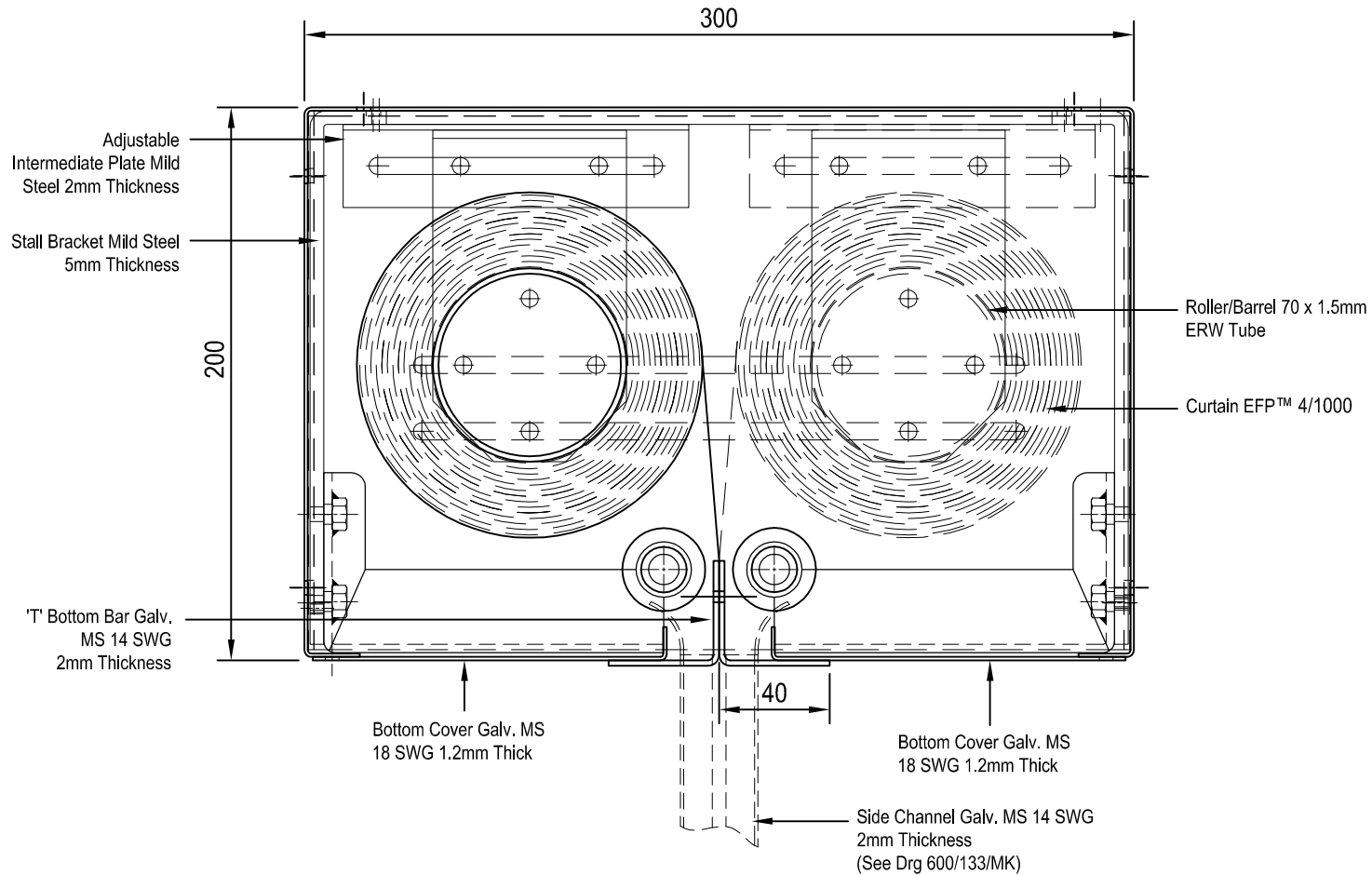
FM 18/34



Maximum Width - 54 metres*
Maximum Drop - 4 metres

DRAWN:	TITLE:	
ML	FIREMASTER® FIRE CURTAIN T BAR HEADBOX CONFIGURATION	
CHECKED:	© 1997 A COOPER GROUP LIMITED ALL RIGHTS RESERVED. THIS DESIGN MAY NOT BE REPRODUCED IN ANY MATERIAL FORM, INCLUDING ELECTRONICALLY WITHOUT THE WRITTEN PERMISSION OF THE COPYRIGHT NAMES	ALL DIMENSION IN MILLIMETERS UNLESS OTHERWISE STATED
JR		
APPROVED:	DRG. No.	ISSUE:
CJL	600/264//MK	E
		DATE: 24.02.2014

SIDE BY SIDE MULTIPLE ROLLER UNIT



Maximum Width - Unlimited (5 metres per roller)
Maximum Drop - 6 metres



Edward House, Fenner Road,
Havant, Hampshire, PO9 1QZ, UK

Tel: +44 (0) 23 9245 4405
Fax: +44 (0) 23 9249 2732

Email: info@coopersfire.com
Web: www.coopersfire.com

DRAWN:	TITLE:	
ML	FIREMASTER® SIDE BY SIDE 300 X 200 HEADBOX DETAIL	
CHECKED:	© 1997 A COOPER GROUP LIMITED ALL RIGHTS RESERVED. THIS DESIGN MAY NOT BE REPRODUCED IN ANY MATERIAL FORM, INCLUDING ELECTRONICALLY WITHOUT THE WRITTEN PERMISSION OF THE COPYRIGHT NAMES	ALL DIMENSION IN MILLIMETERS UNLESS OTHERWISE STATED
JR	DRG. No.	ISSUE:
JR	606/281/MK	C
		DATE: 24.02.2014

NOTE: - SIZES OUTSIDE THESE STANDARDS - PLEASE CONTACT COOPERS