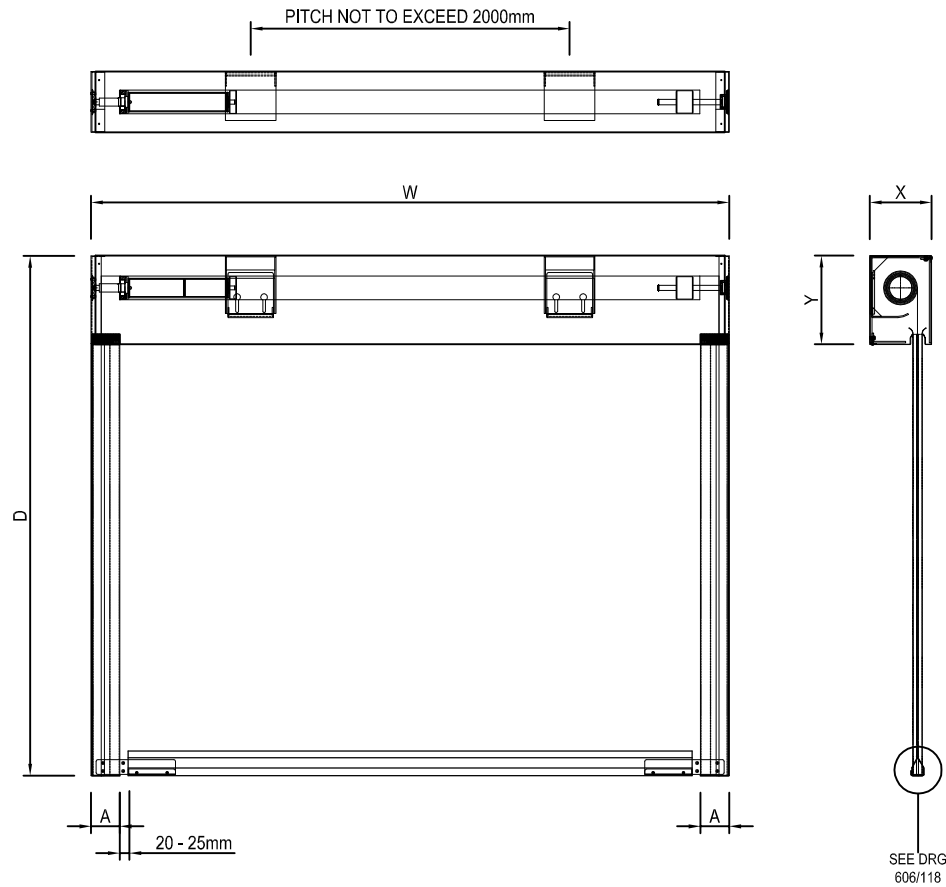
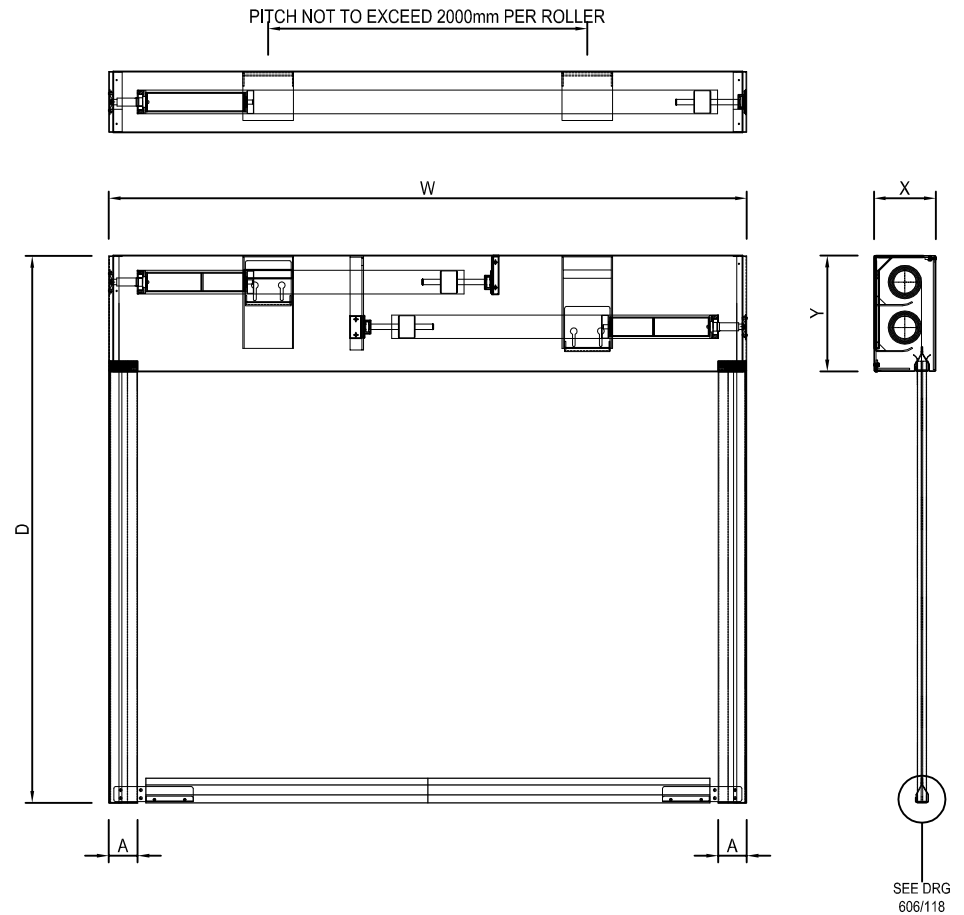


## SINGLE ROLLER UNIT



W	D	A (mm)	X (mm)	Y (mm)
< 5m	< 4m	90 - 100	150	200
< 5m	< 6m	90 - 100	180	220
< 5m	< 8m	90 - 100	180	260

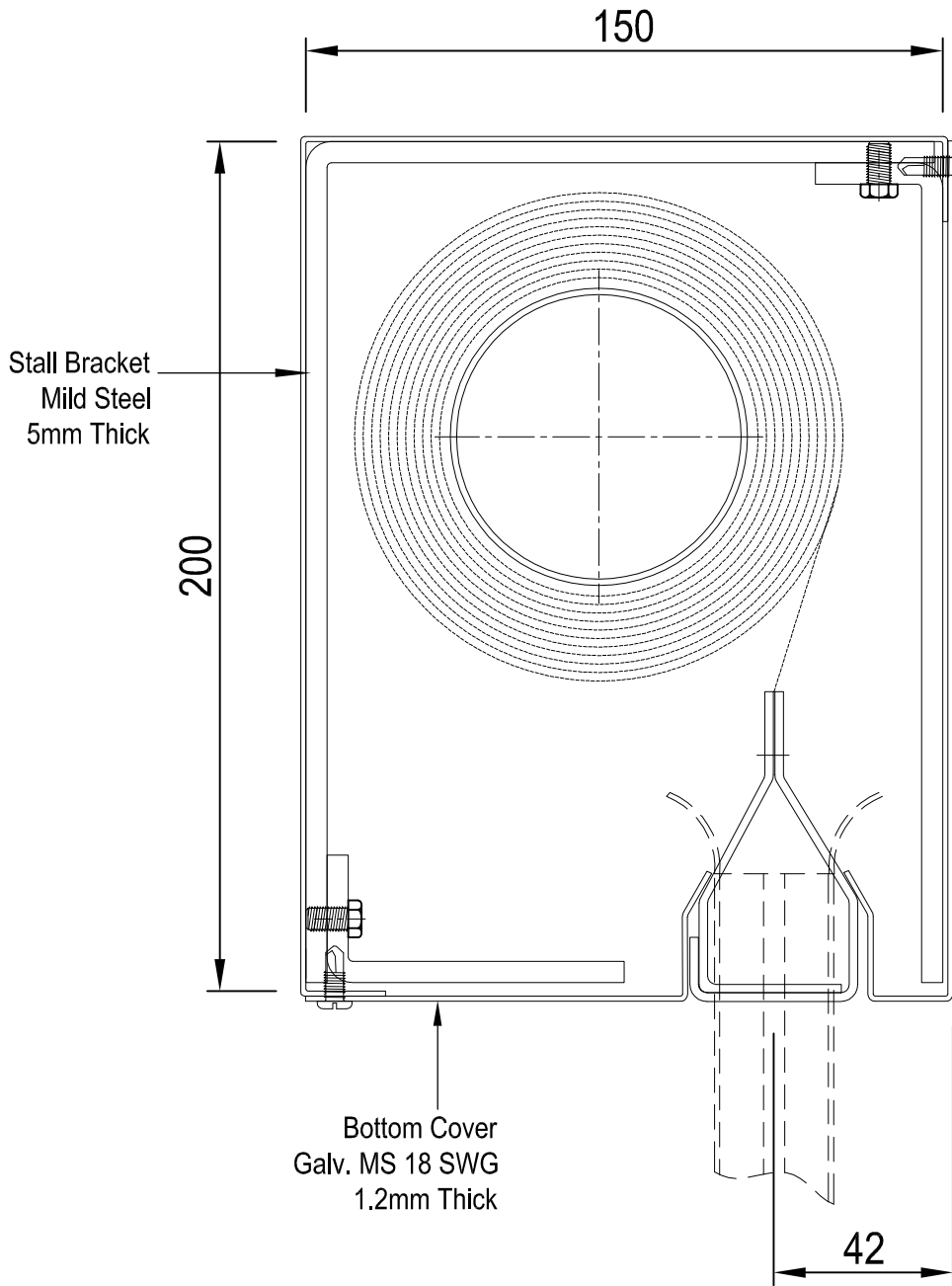
## MULTIPLE ROLLER UNIT



W	D	A (mm)	X (mm)	Y (mm)
Unlimited	< 4m	90 - 100	180	340
Unlimited	< 8m	90 - 100	200	400

DRAWN: ML	TITLE: FIREMASTER® FIRE CURTAIN MATRIX OF SIZES	
CHECKED: JR	© 1997 A COOPER GROUP LIMITED ALL RIGHTS RESERVED. THIS DESIGN MAY NOT BE REPRODUCED IN ANY MATERIAL FORM, INCLUDING ELECTRONICALLY WITHOUT THE WRITTEN PERMISSION OF THE COPYRIGHT NAMES	ALL DIMENSION IN MILLIMETERS UNLESS OTHERWISE STATED
APPROVED: CJL	DRG. No. 606/117//MK	ISSUE: E DATE: 24.02.2014

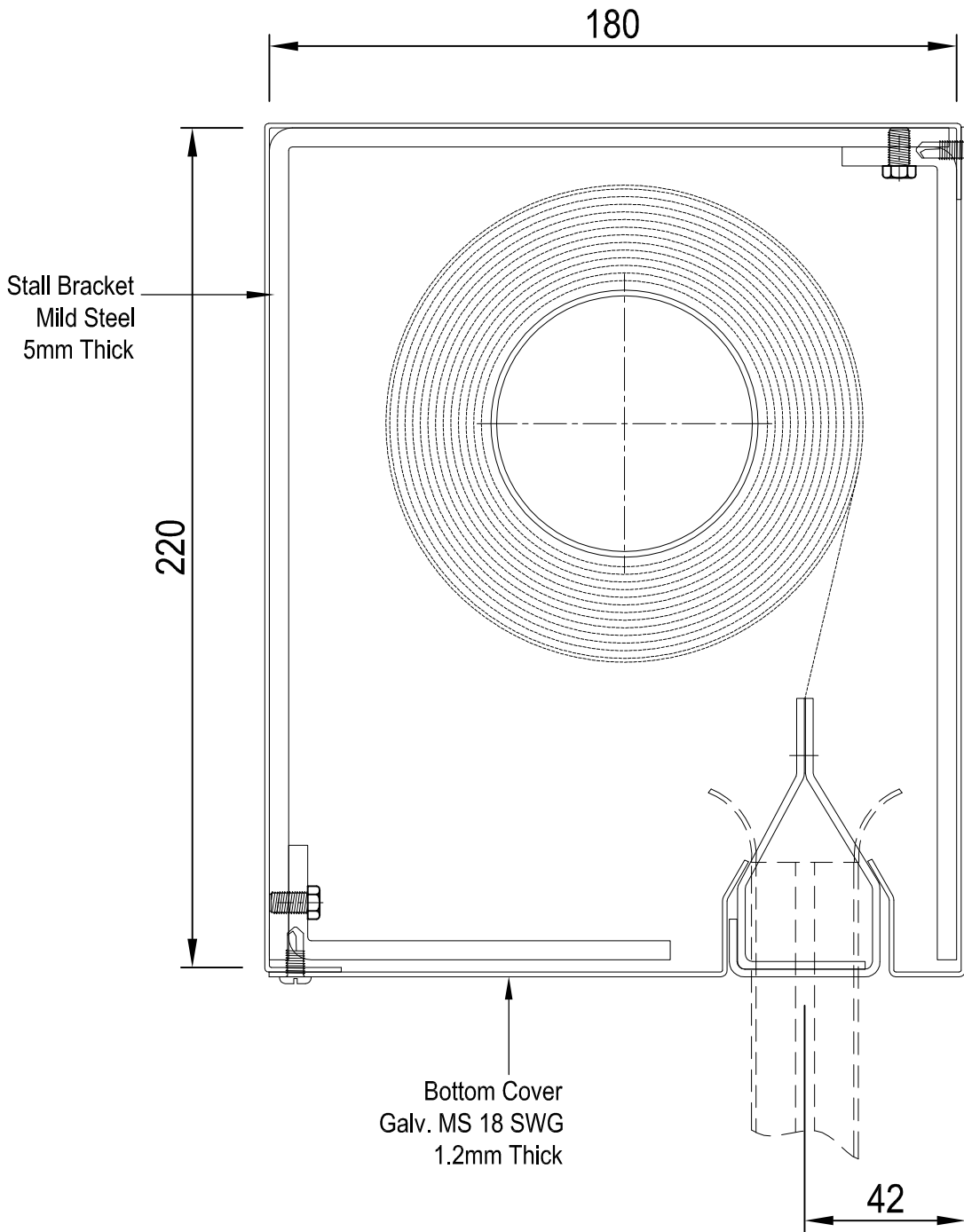
# FM 15/20



Maximum width - 5 metres

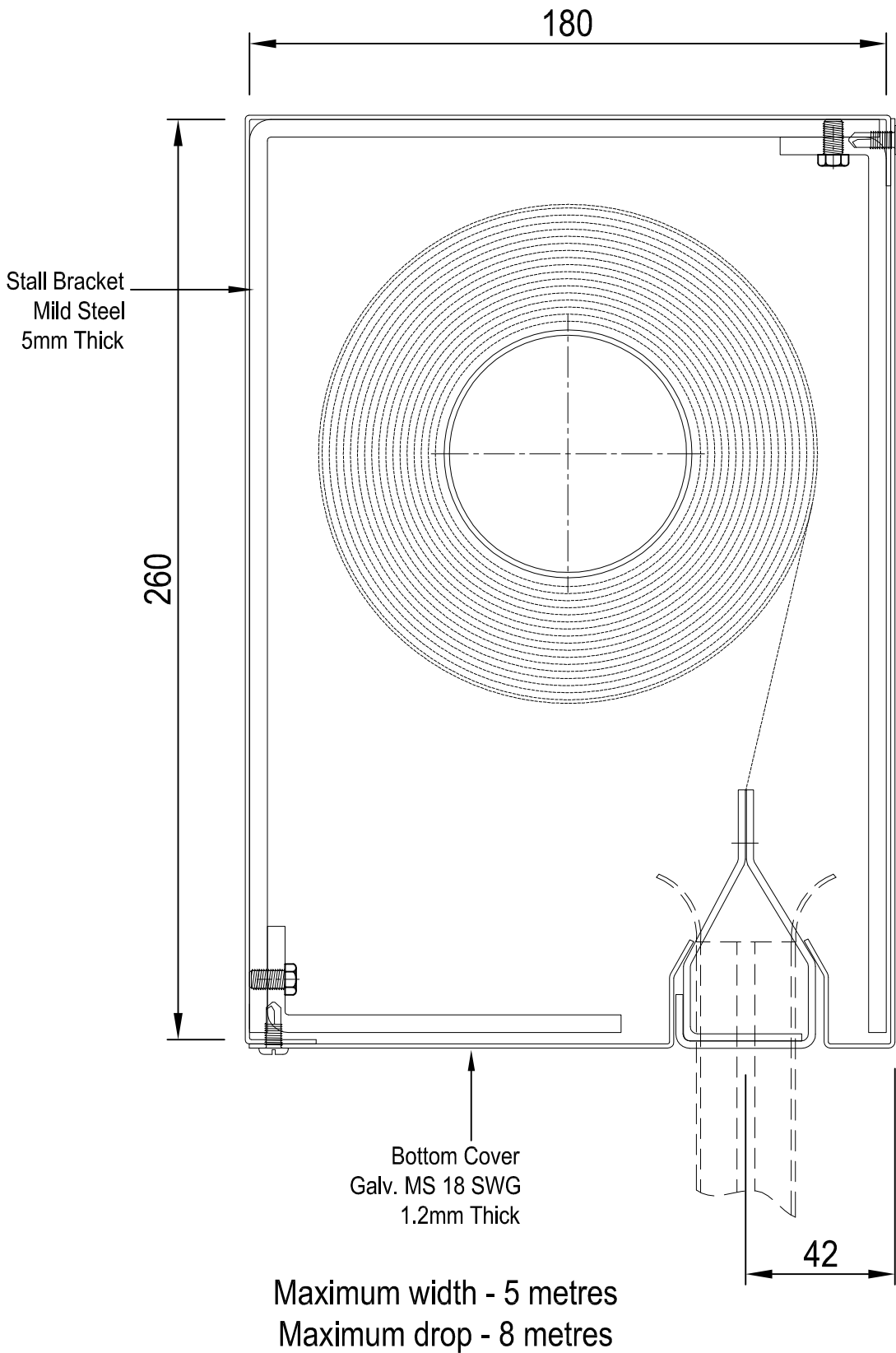
Maximum drop - 4 metres

# FM 18/22



Maximum width - 5 metres  
Maximum drop - 6 metres

# FM 18/26



# FM 18/34

180

Stall Bracket  
Mild Steel  
5mm Thick

340

Bottom Cover  
Galv. MS 18 SWG  
1.2mm Thick

42

Maximum width - 5 metres per roller  
Maximum drop - 4 metres

# FM 20/40

200

Stall Bracket  
Mild Steel  
5mm Thick

400

Bottom Cover Galv. MS  
18 SWG 1.2mm Thick

46

Maximum width - 4 metres per roller  
Maximum drop - 8 metres

DRAWN:

ML

CHECKED:

JR

APPROVED:

CJL

TITLE:

**FIREMASTER® FIRE CURTAIN**  
**200 x 400 HEADBOX DETAILS**

© 1997 A COOPER GROUP LIMITED  
ALL RIGHTS RESERVED. THIS DESIGN MAY NOT BE  
REPRODUCED IN ANY MATERIAL FORM, INCLUDING  
ELECTRONICALLY WITHOUT THE WRITTEN PERMISSION  
OF THE COPYRIGHT NAMES

DRG. No.

606/246/MK

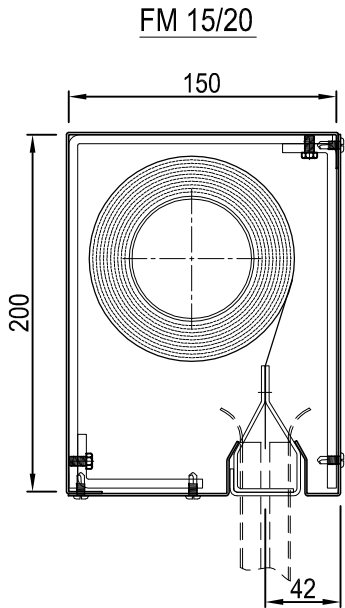
ALL DIMENSION IN MILLIMETERS  
UNLESS OTHERWISE STATED

ISSUE: H

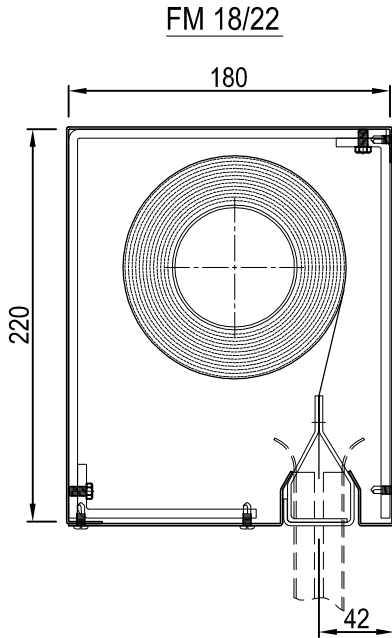
DATE: 24.02.2014

# FIREMASTER® FIRE CURTAIN STANDARD HEADBOX CONFIGURATION SECTIONS

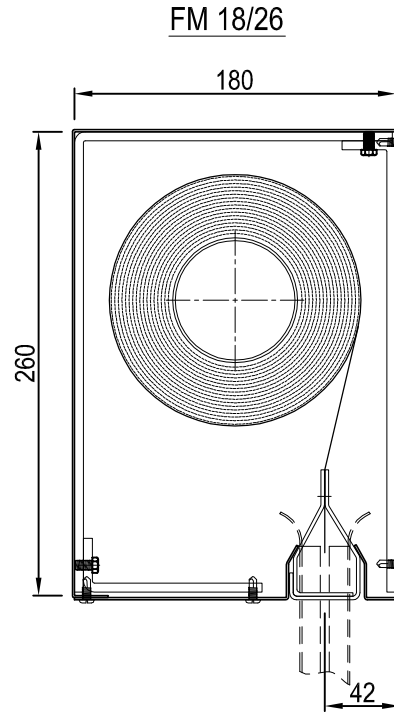
## SINGLE ROLLER UNITS



Maximum Width - 5 metres\*  
Maximum Drop - 4 metres

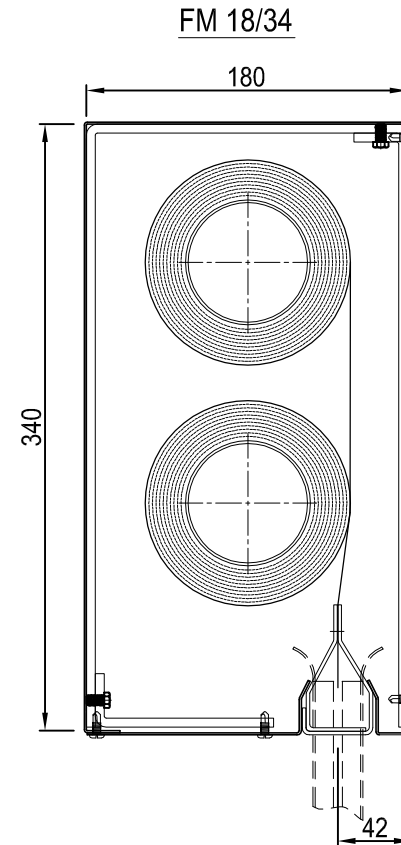


Maximum Width - 5 metres\*  
Maximum Drop - 6 metres

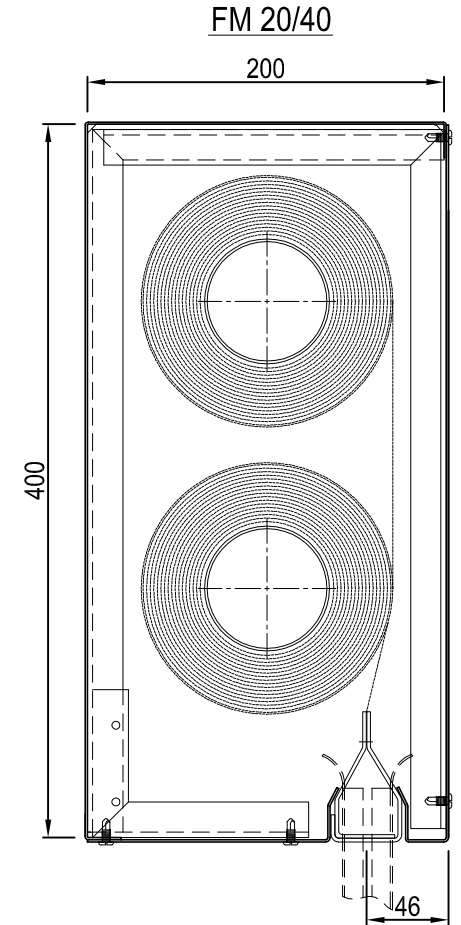


Maximum Width - 5 metres\*  
Maximum Drop - 8 metres

## MULTIPLE ROLLER UNITS



Maximum Width - Unlimited  
Maximum Drop - 4 metres



Maximum Width - Unlimited  
Maximum Drop - 8 metres



Edward House, Penner Road,  
Havant, Hampshire, PO9 1QZ, UK

Tel: +44 (0) 23 9245 4405  
Fax: +44 (0) 23 9249 2732

Email: info@coopersfire.com  
Web: www.coopersfire.com

DRAWN:	TITLE:	
ML	FIREMASTER® FIRE CURTAIN HEADBOX CONFIGURATION	
CHECKED:	© 1997 A COOPER GROUP LIMITED. ALL RIGHTS RESERVED. THIS DESIGN MAY NOT BE REPRODUCED IN ANY MATERIAL FORM, INCLUDING ELECTRONICALLY WITHOUT THE WRITTEN PERMISSION OF THE COPYRIGHT NAMES.	ALL DIMENSION IN MILLIMETERS UNLESS OTHERWISE STATED
JR		
APPROVED:	DRG. No.	ISSUE: J
CJL	606/252//MK	DATE: 24.02.2014

\* DENOTES STANDARD SIZES, SIZES GREATER THAN STATED PLEASE CONTACT COOPERS