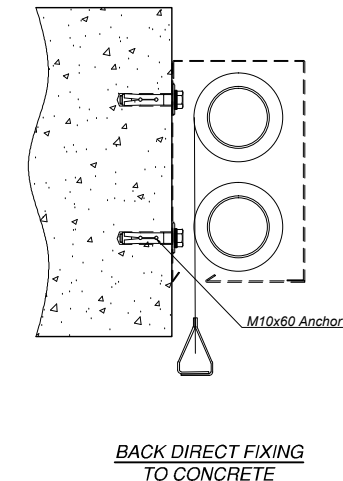
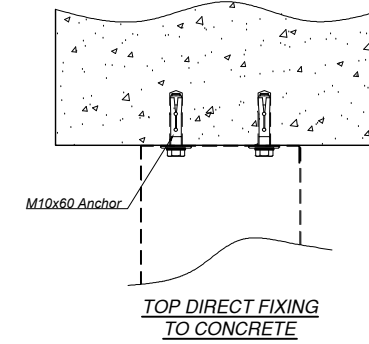
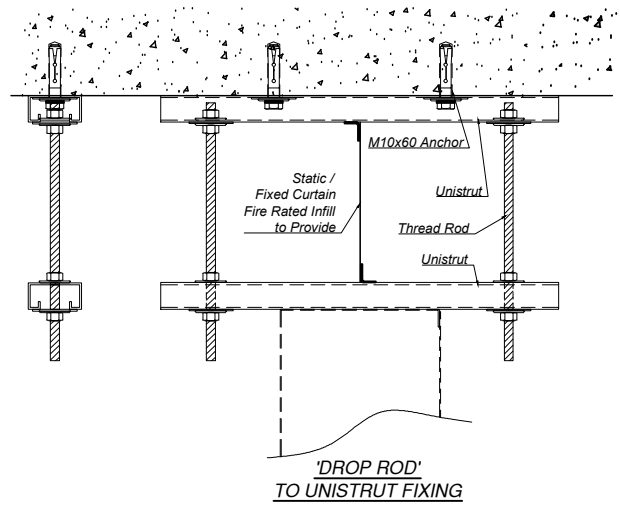
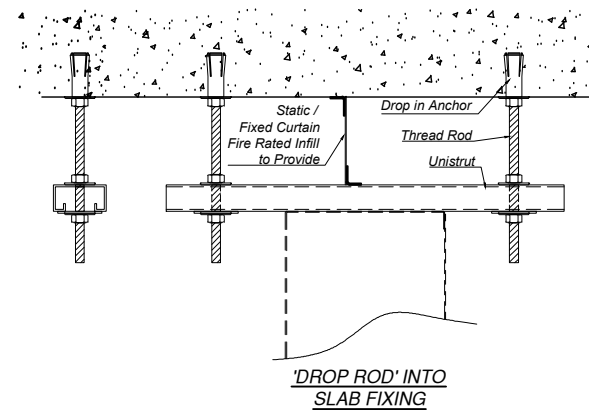
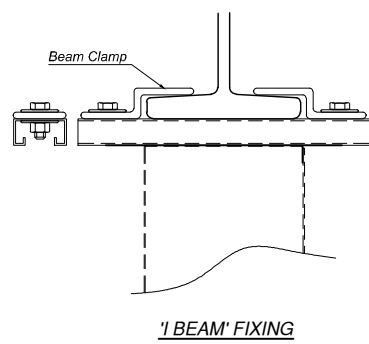
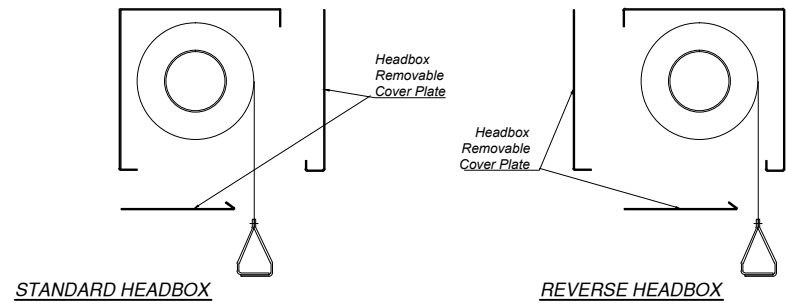


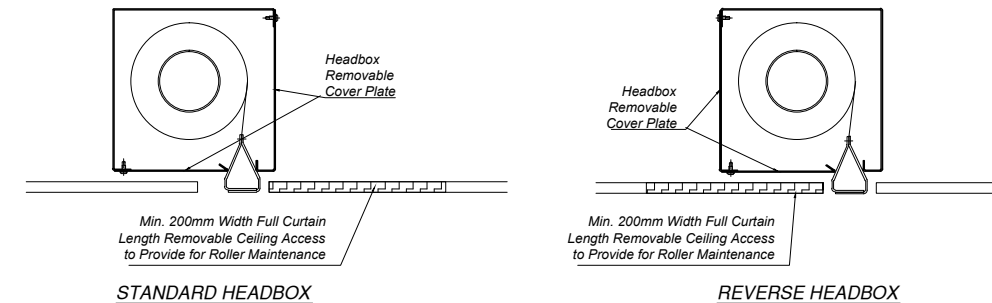
HEADBOX FIXING OPTIONS



HEADBOX ACCESS OPTIONS

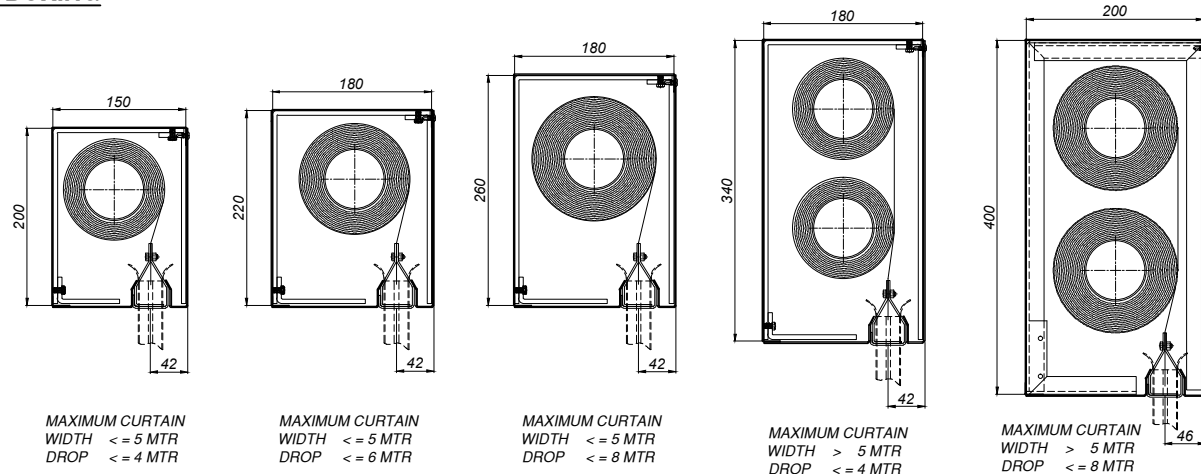


CEILING ACCESS OPTIONS

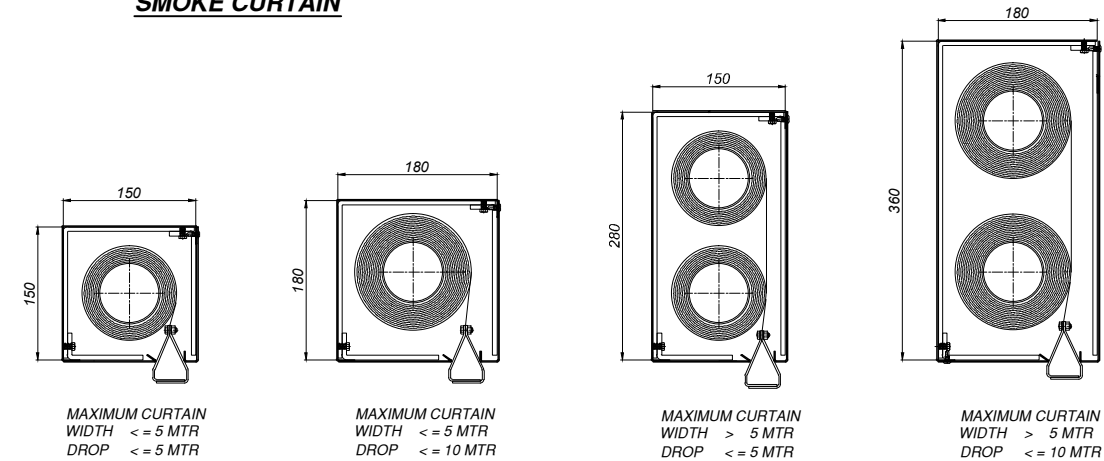


EXAMPLES OF HEADBOXING

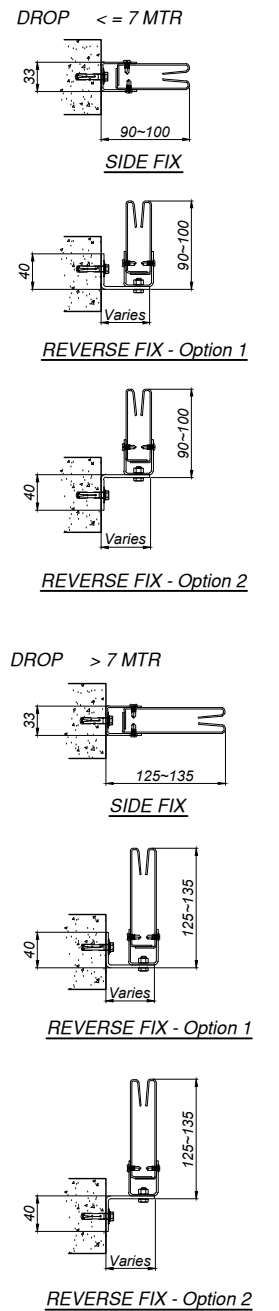
FIRE CURTAIN OR SMOKE CURTAIN WITH GUIDE



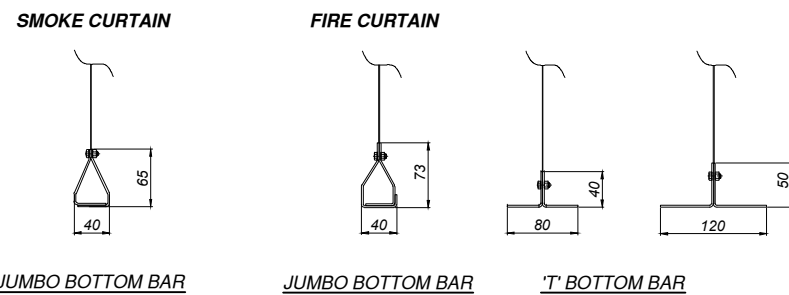
SMOKE CURTAIN



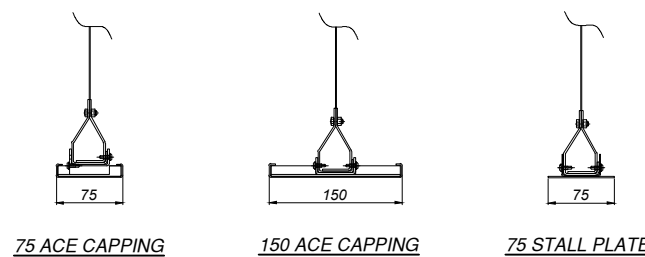
SIDE GUIDE FIXING OPTIONS



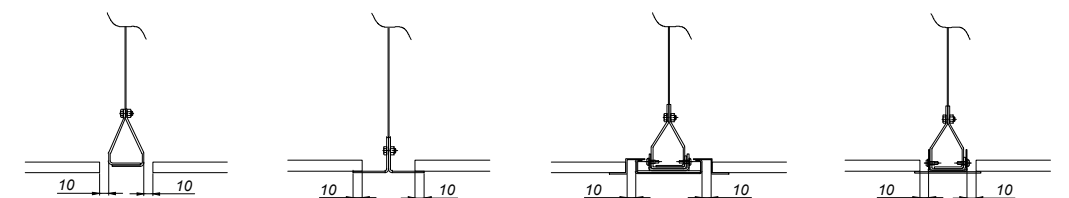
BOTTOM BARS OPTIONS



CAPPING OPTIONS



EXAMPLES OF: CEILING & BOTTOM BARS INTERFACE OPTIONS



Edward House, Penner Road,
Havant, Hampshire, PO9 1QZ, UK

Tel: +44 (0) 23 9245 4405
Fax: +44 (0) 23 9249 2732

Email: info@coopersfire.com
Web: www.coopersfire.com

DRAWN:	ML	TITLE:	Headbox Fixing, Headbox Ceiling Interface, Bottom Bar & Capping Variations
CHECKED:	JR	© 1997-2015 A COOPER GROUP LIMITED ALL RIGHTS RESERVED. THIS DESIGN MAY NOT BE REPRODUCED IN ANY MATERIAL FORM, INCLUDING ELECTRONICALLY WITHOUT THE WRITTEN PERMISSION OF THE COPYRIGHT NAMES	ALL DIMENSION IN MILLIMETERS UNLESS OTHERWISE STATED
APPROVED:	JR	DRG. No.	600/616/MK
		ISSUE:	A
		DATE:	30.09.2015

* For Information Use Only
Standard Size, Standard Configuration, Sizes Greater than Stated please contact Coopers