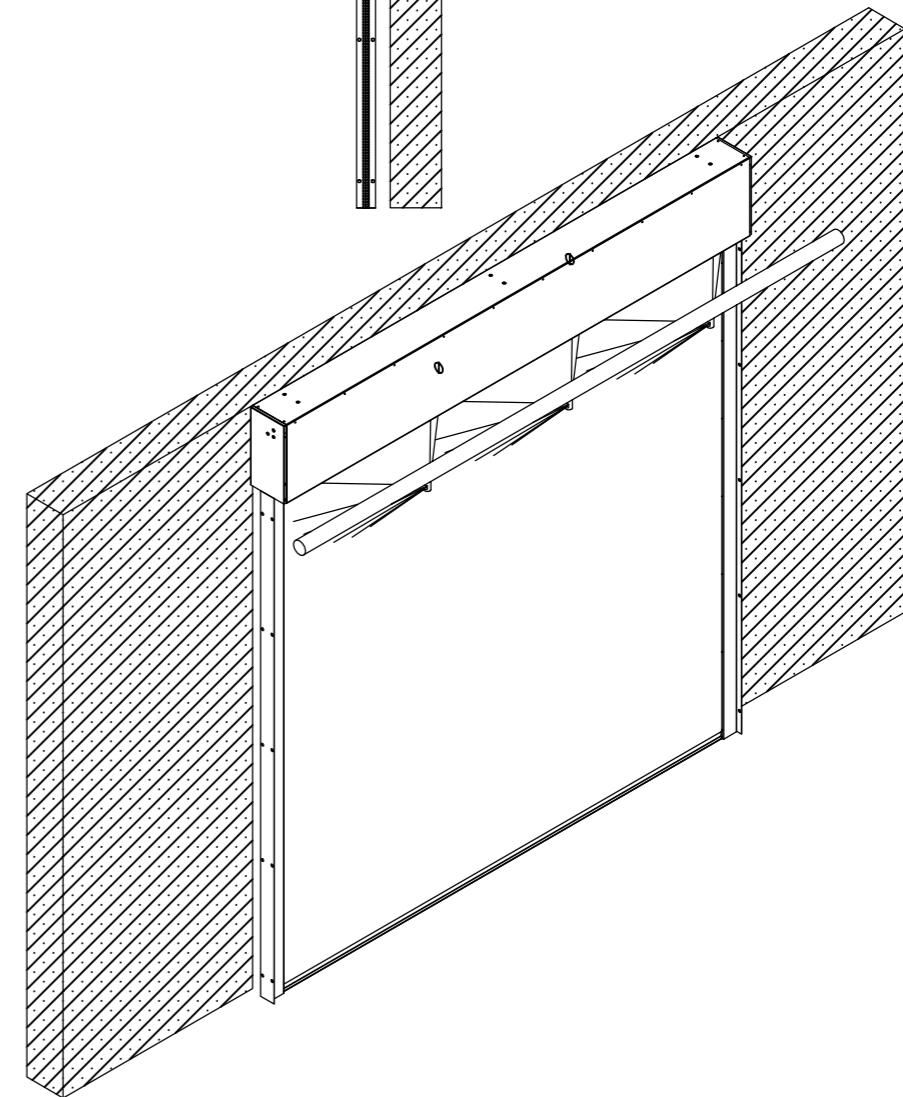
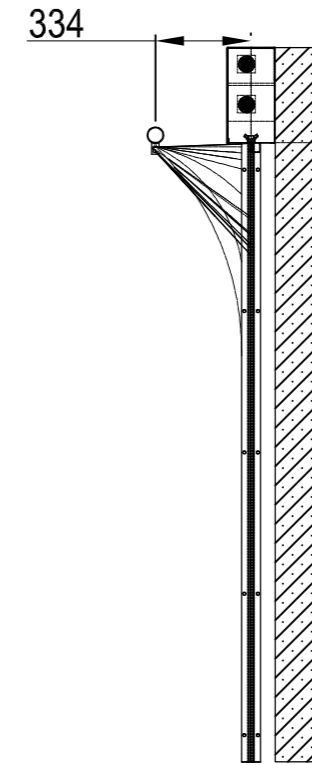
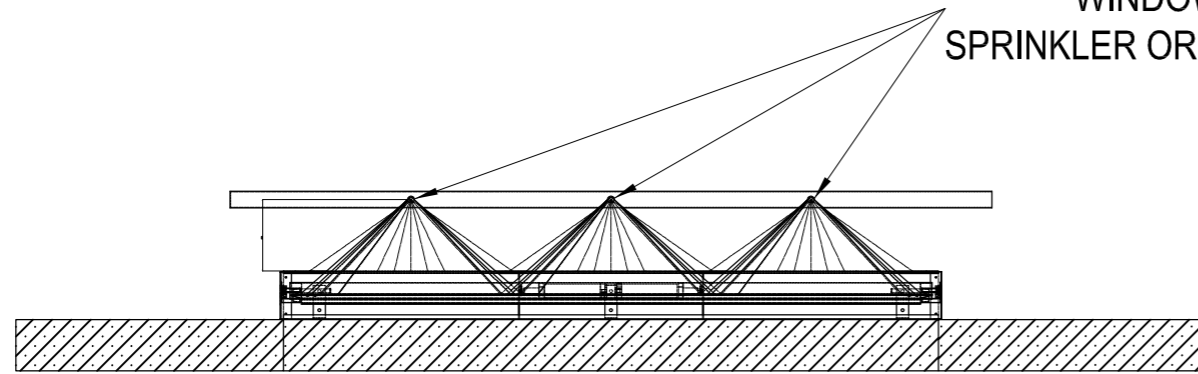


VIKING C-1 (01324B VK794)  
WINDOW  
SPRINKLER OR SIMILAR



Edward House, Penner Road,  
Havant, Hampshire, PO9 1QZ, UK

Tel: +44 (0) 23 9245 4405  
Fax: +44 (0) 23 9249 2732

Email: info@coopersfire.com  
Web: www.coopersfire.com

DRAWN: JR	TITLE: <b>FIREMASTER® SUPERPLUS FIRE CURTAIN SPRINKLER DETAILS</b>	
CHECKED: JR	© 1997 A COOPER GROUP LIMITED ALL RIGHTS RESERVED. THIS DESIGN MAY NOT BE REPRODUCED IN ANY MATERIAL FORM, INCLUDING ELECTRONICALLY WITHOUT THE WRITTEN PERMISSION OF THE COPYRIGHT NAMES	ALL DIMENSION IN MILLIMETERS UNLESS OTHERWISE STATED
APPROVED: JR	DRG. No. <b>606/315//MK</b>	ISSUE: <b>A</b> DATE: <b>24.02.2014</b>

NOTE: - SIZES OUTSIDE THESE STANDARDS - PLEASE CONTACT COOPERS  
FOR HEADBOXES SIZES PLEASE REFER TO DRAWING 606/252/MK

INSTALLATION DETAILS OF SPRINKLER SYSTEM - FLOW RATE: 17 l/min/m<sup>2</sup>