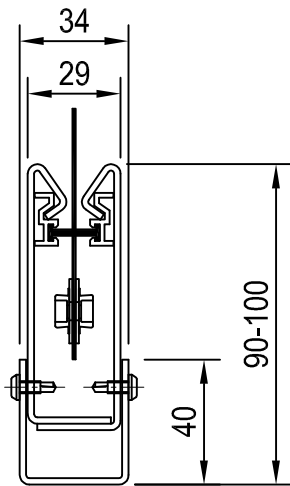
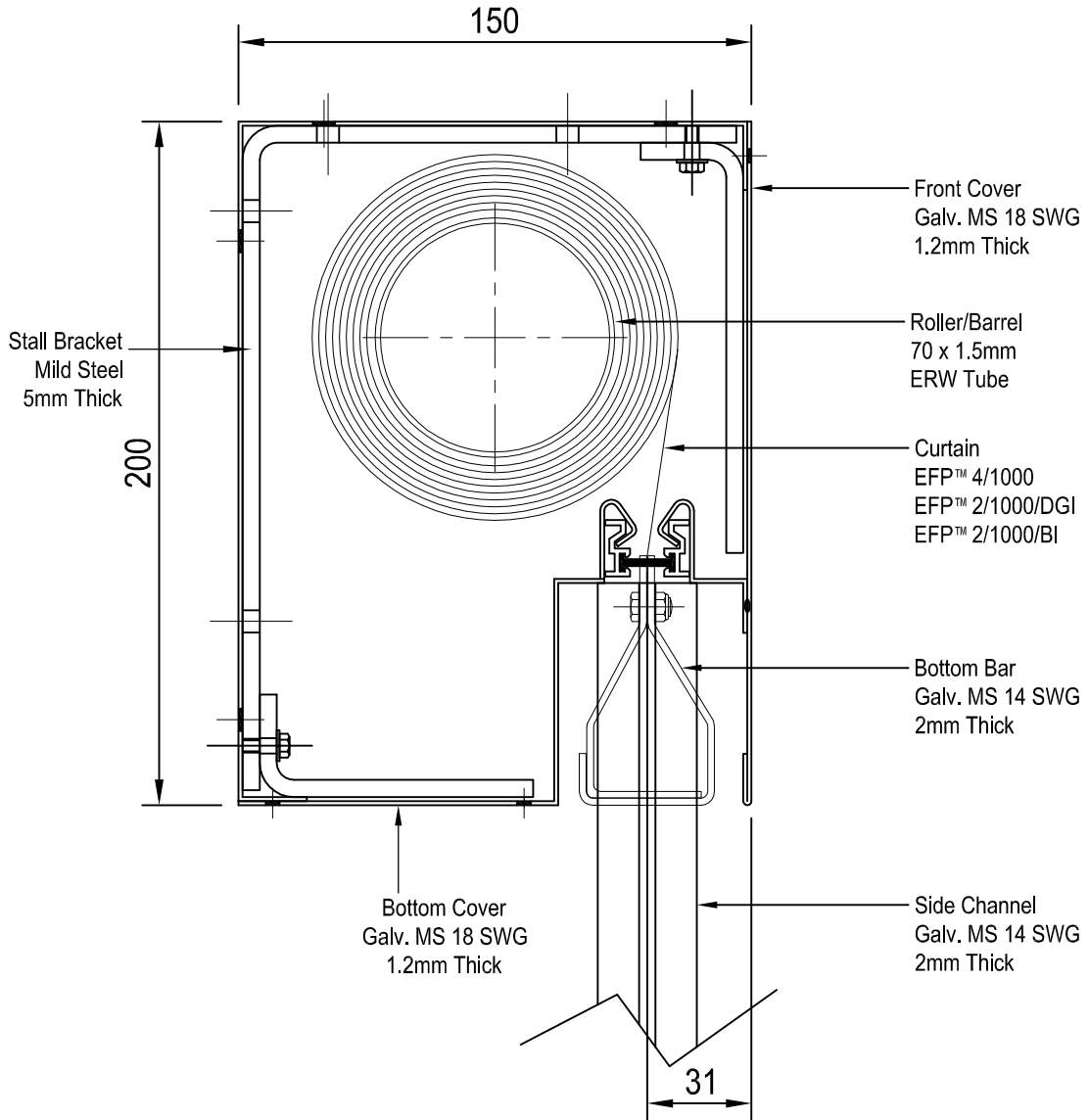


FM 15/20/SS FMP 15/20/SS

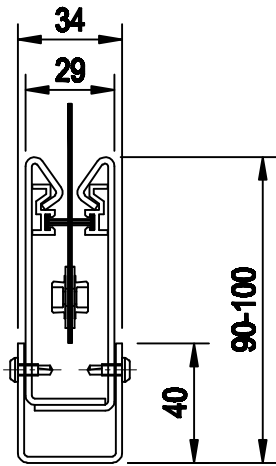
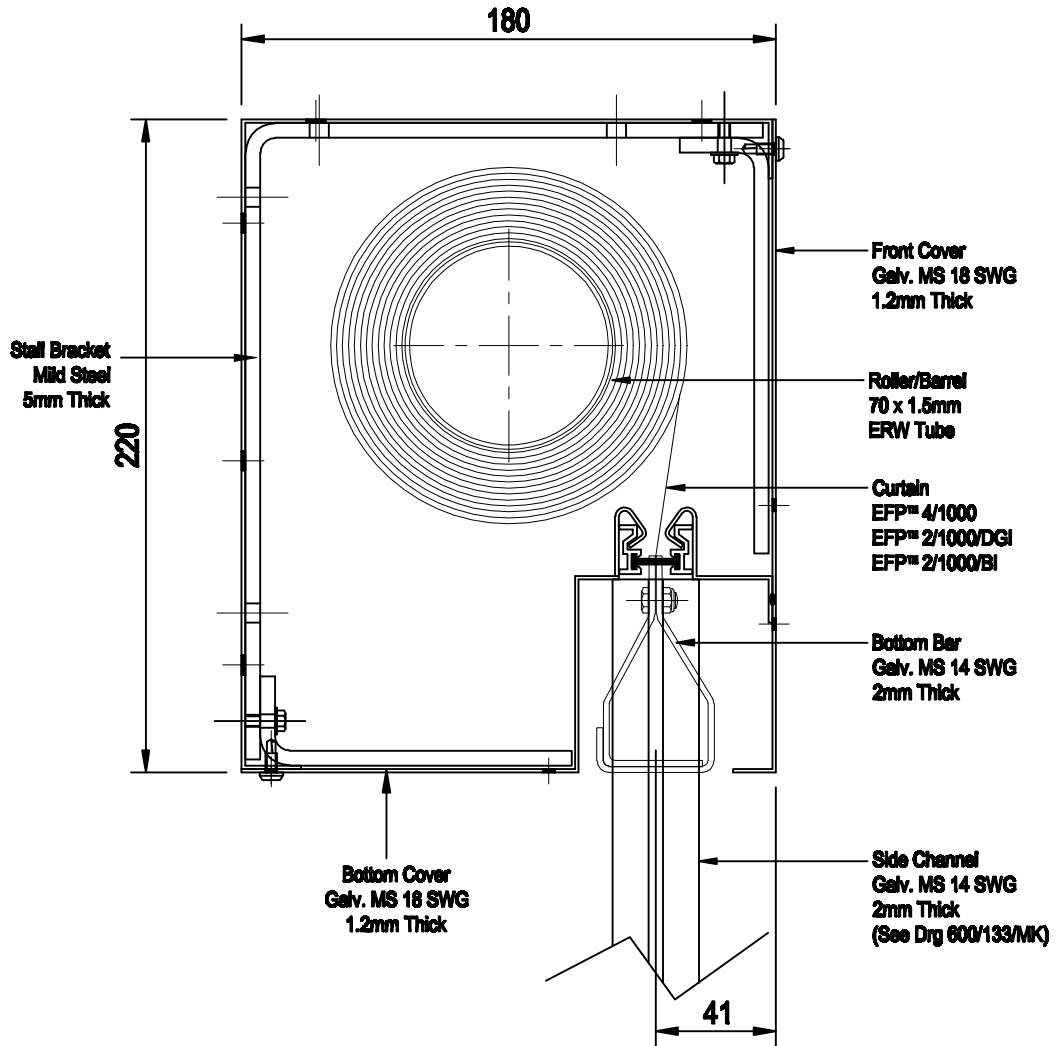


| Product | Max Width | Max Drop | Fabric |
|---------|-----------|------------|-----------------|
| FM | 5 metres | 3.5 metres | EFP™ 4/1000/PU |
| FM | 5 metres | 3.5 metres | EFP™ A1 |
| FM | 5 metres | 3.5 metres | EFP™ 4/1000/BOS |
| FMP | 4 metres | 2.5 metres | EFP™ 2/1000/DGI |
| FMP | 4 metres | 2.5 metres | EFP™ 2/1000/BI |

Note:- Size outside these standards, please contact Coopers Fire Ltd

Side Guide Details

FM 18/22/SS FMP 18/22/SS



Side Guide Details

| Product | Max Width | Max Drop | Fabric |
|---------|-----------|------------|-----------------|
| FM | 5 metres | 4.5 metres | EFP™ 4/1000/PU |
| FM | 5 metres | 4.5 metres | EFP™ A1 |
| FM | 5 metres | 4.5 metres | EFP™ 4/1000/BOS |
| FMP | 4 metres | 3.0 metres | EFP™ 2/1000/DGI |
| FMP | 4 metres | 3.0 metres | EFP™ 2/1000/BI |

Note:- Size outside these standards, please contact Coopers Fire Ltd



Edward House, Penner Road,
Havant, Hampshire, PO9 1QZ, UK

Tel: +44 (0) 23 9245 4405
Fax: +44 (0) 23 9249 2732

Email: info@coopersfire.com
Web: www.coopersfire.com

DRAWN:

ML

CHECKED:

APPROVED:

TITLE:

**FIREMASTER®/PLUS² 180 x 220 SMOKE SEAL
HEADBOX AND SIDE GUIDE DETAILS**

© 1997 A COOPER GROUP LIMITED
ALL RIGHTS RESERVED. THIS DESIGN MAY NOT BE
REPRODUCED IN ANY MATERIAL FORM, INCLUDING
ELECTRONICALLY WITHOUT THE WRITTEN PERMISSION
OF THE COPYRIGHT NAMES

DRG. No.

606/311/MK

**ALL DIMENSION IN MILLIMETERS
UNLESS OTHERWISE STATED**

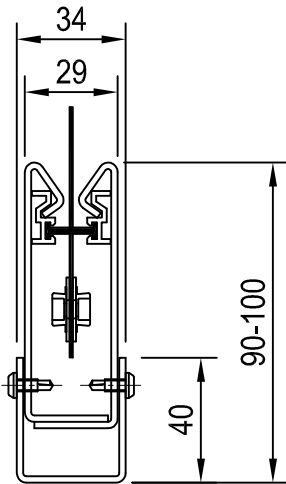
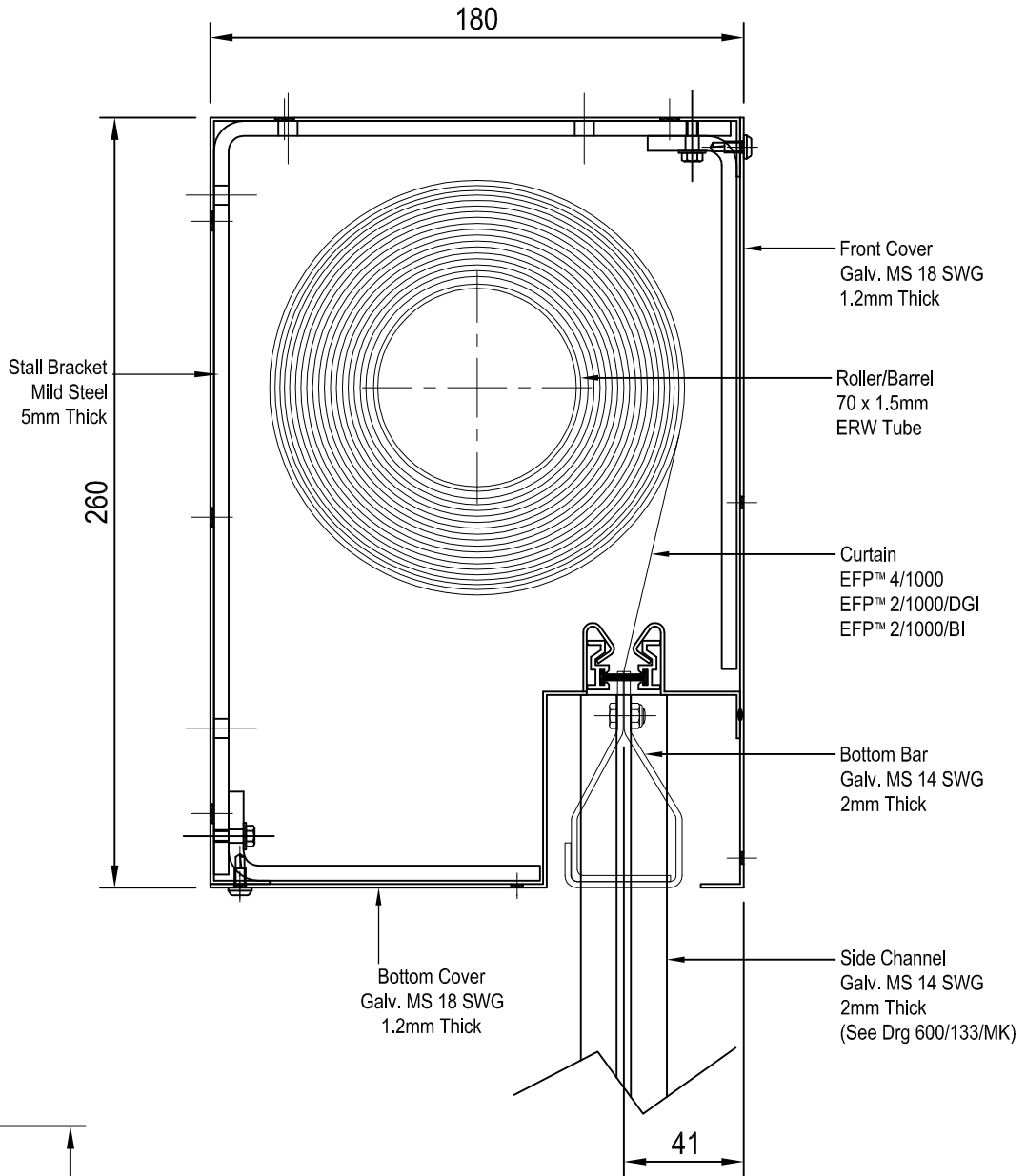
ISSUE:

A

DATE:

16.02.2015

FM 18/26/SS FMP 18/26/SS



Side Guide Details

| Product | Max Width | Max Drop | Fabric |
|---------|-----------|------------|-----------------|
| FM | 5 metres | 6.0 metres | EFP™ 4/1000/PU |
| FM | 5 metres | 6.0 metres | EFP™ A1 |
| FM | 5 metres | 6.0 metres | EFP™ 4/1000/BOS |
| FMP | 4 metres | 4.0 metres | EFP™ 2/1000/DGI |
| FMP | 4 metres | 4.0 metres | EFP™ 2/1000/BI |

Note:- Size outside these standards, please contact Coopers Fire Ltd



Edward House, Penner Road,
Havant, Hampshire, PO9 1QZ, UK

Tel: +44 (0) 23 9245 4405
Fax: +44 (0) 23 9249 2732

Email: info@coopersfire.com
Web: www.coopersfire.com

DRAWN:

JR

TITLE:

**FIREMASTER®/PLUS² 180 x 260 SMOKE SEAL
HEADBOX AND SIDE GUIDE DETAILS**

CHECKED:

© 1997 A COOPER GROUP LIMITED
ALL RIGHTS RESERVED. THIS DESIGN MAY NOT BE
REPRODUCED IN ANY MATERIAL FORM, INCLUDING
ELECTRONICALLY WITHOUT THE WRITTEN PERMISSION
OF THE COPYRIGHT NAMES

ALL DIMENSION IN MILLIMETERS
UNLESS OTHERWISE STATED

APPROVED:

DRG. No.

606/283/MK

ISSUE:

D

DATE:

01.12.2014