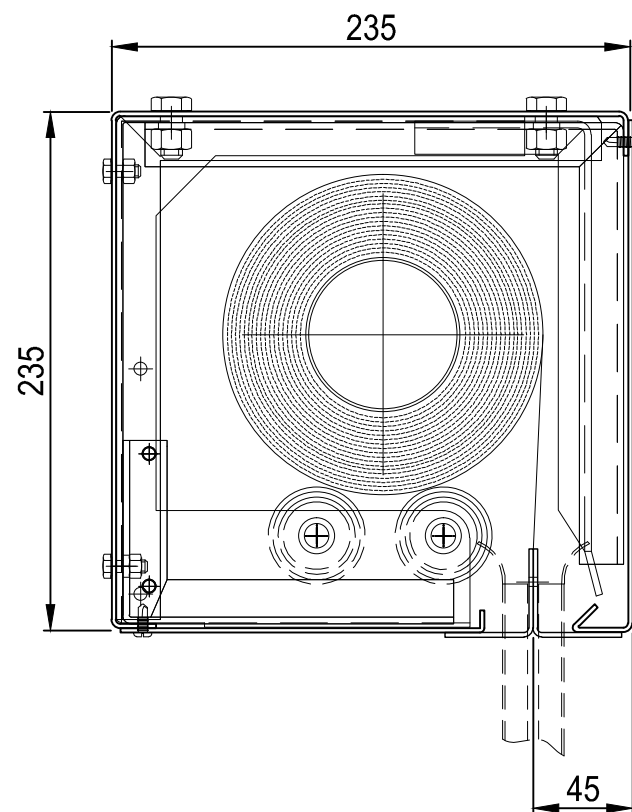


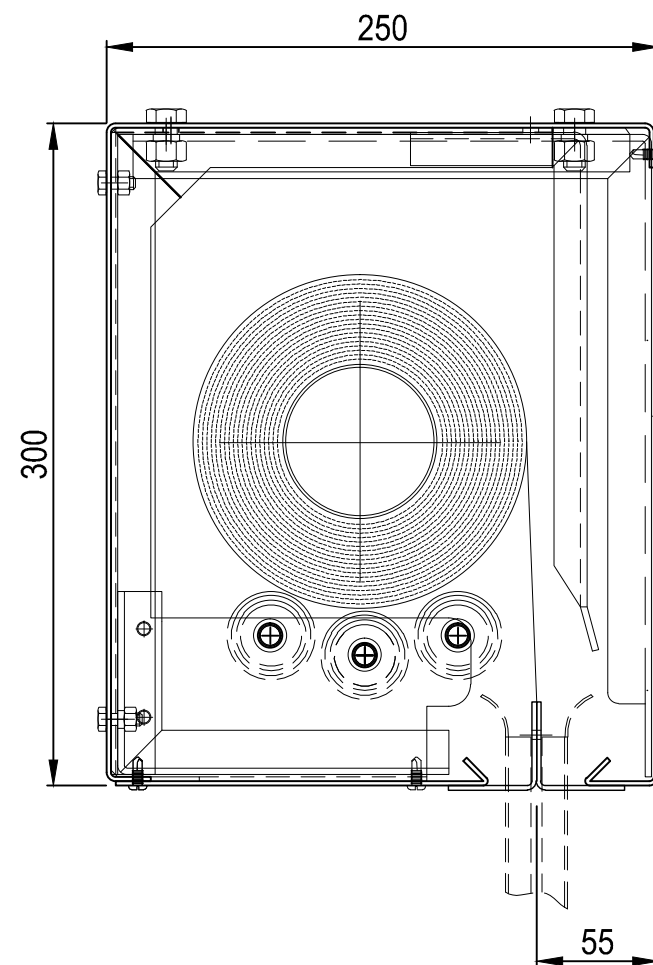
FIREMASTER® PLUS² WIDE SINGLE ROLLER CURTAIN HEADBOX SECTION

WSR 23/23



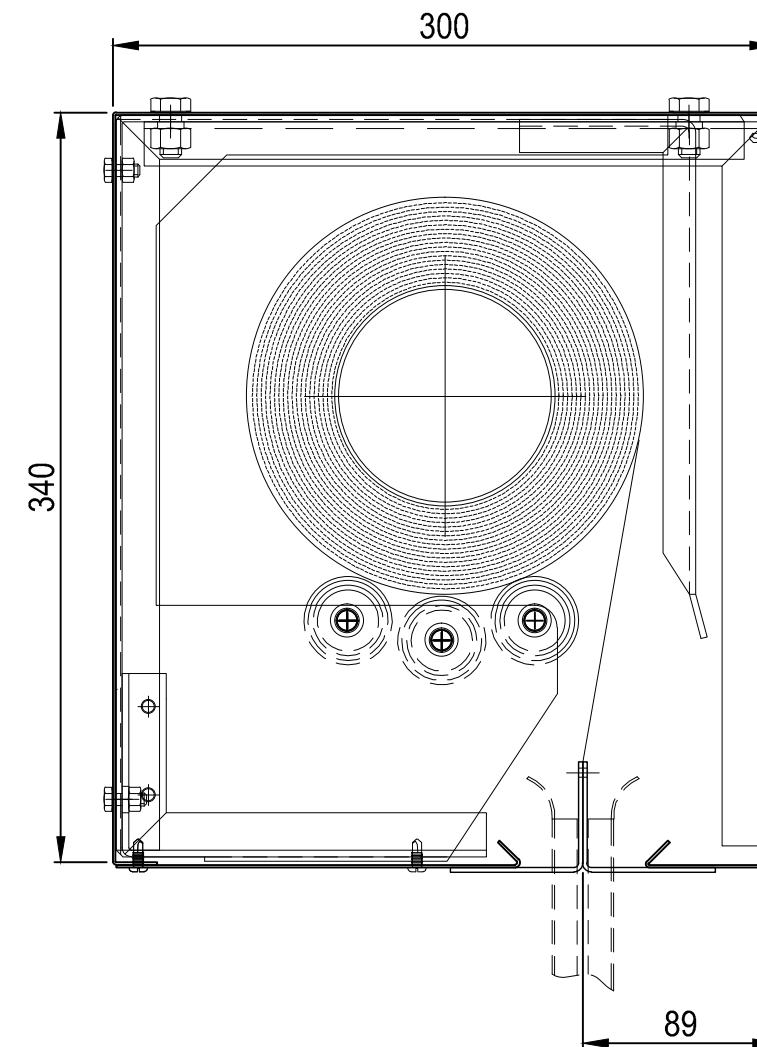
| WIDTH | | DROP | | SEAM |
|-------|-----|------|-----|------------|
| MIN | MAX | MIN | MAX | |
| 1M | 10M | 1M | 4M | Horizontal |

WSR 25/30



| WIDTH | | DROP | | SEAM |
|-------|-----|------|-----|------------|
| MIN | MAX | MIN | MAX | |
| 1M | 17M | 1M | 4M | Vertical |
| 11M | 15M | 1M | 4M | Horizontal |
| 1M | 17M | 1M | 6M | Horizontal |

WSR 30/34



| WIDTH | | DROP | | SEAM |
|-------|-----|------|-----|------------|
| MIN | MAX | MIN | MAX | |
| 1M | 11M | 1M | 8M | Horizontal |

Note: Over 6M drop additional assessment is required



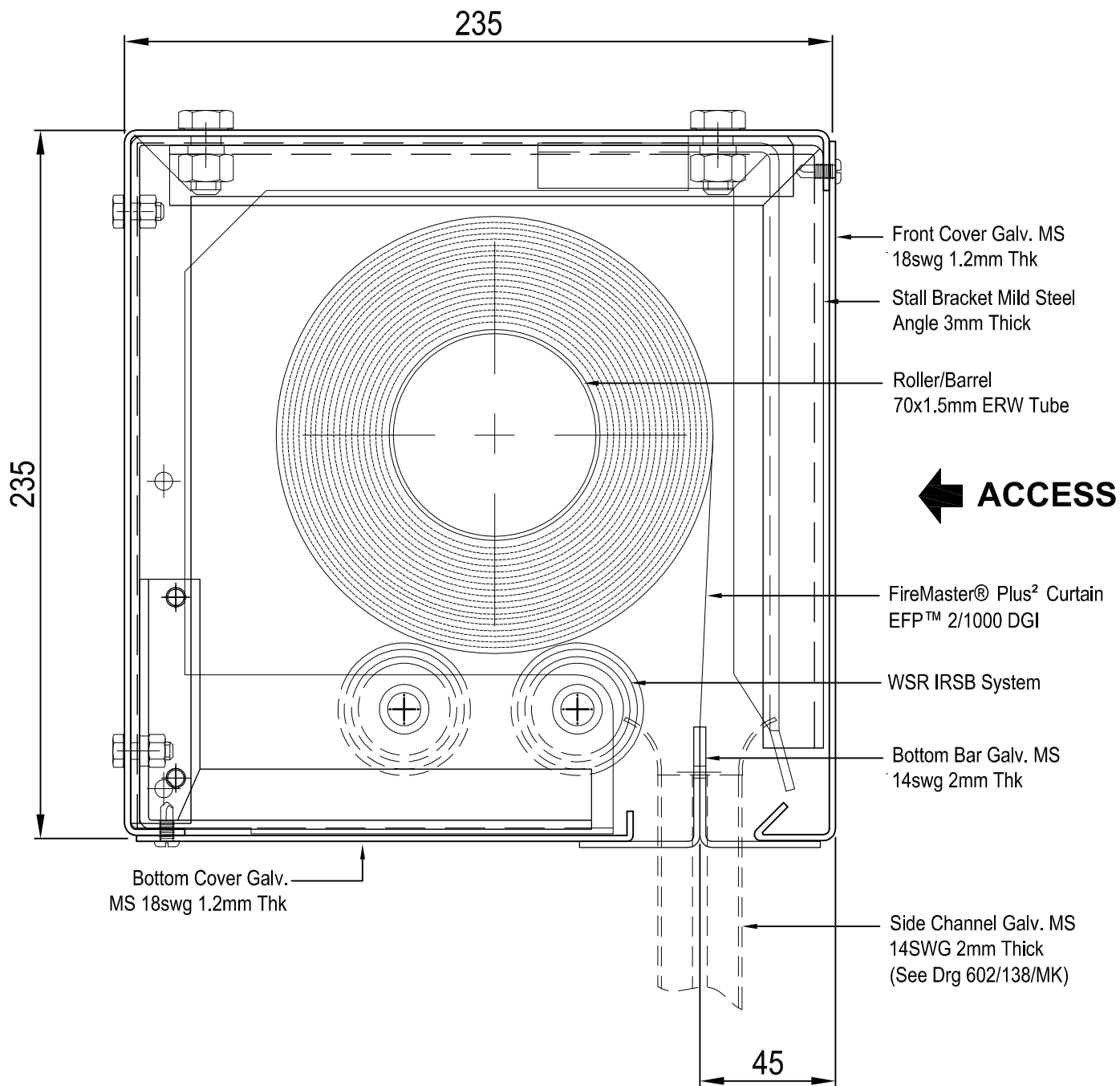
Edward House, Penner Road,
Havant, Hampshire, PO9 1QZ, UK

Tel: +44 (0) 23 9245 4405
Fax: +44 (0) 23 9249 2732

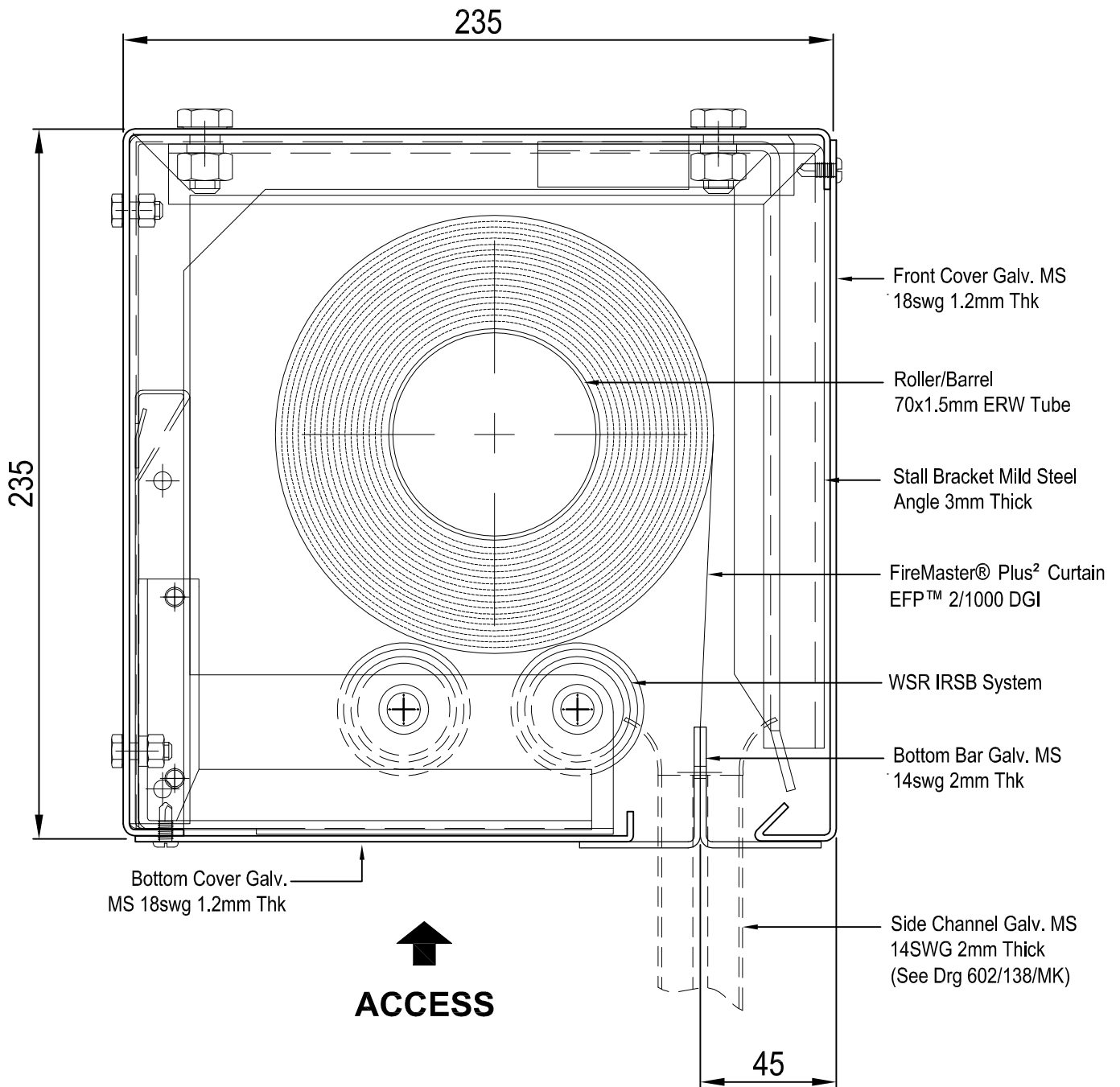
Email: info@coopersfire.com
Web: www.coopersfire.com

| | |
|-----------------|---|
| DRAWN: ML | TITLE: FIREMASTER® PLUS² WSR CURTAIN HEADBOX CONFIGURATION |
| CHECKED: JR | © 1997-2016 A COOPER GROUP LIMITED ALL RIGHTS RESERVED. THIS DESIGN MAY NOT BE REPRODUCED IN ANY MATERIAL FORM, INCLUDING ELECTRONICALLY WITHOUT THE WRITTEN PERMISSION OF THE COPYRIGHT NAMES ALL DIMENSION IN MILLIMETERS UNLESS OTHERWISE STATED |
| APPROVED: JR | DRG. No. 602/121MK ISSUE: G DATE: 29.07.2016 |

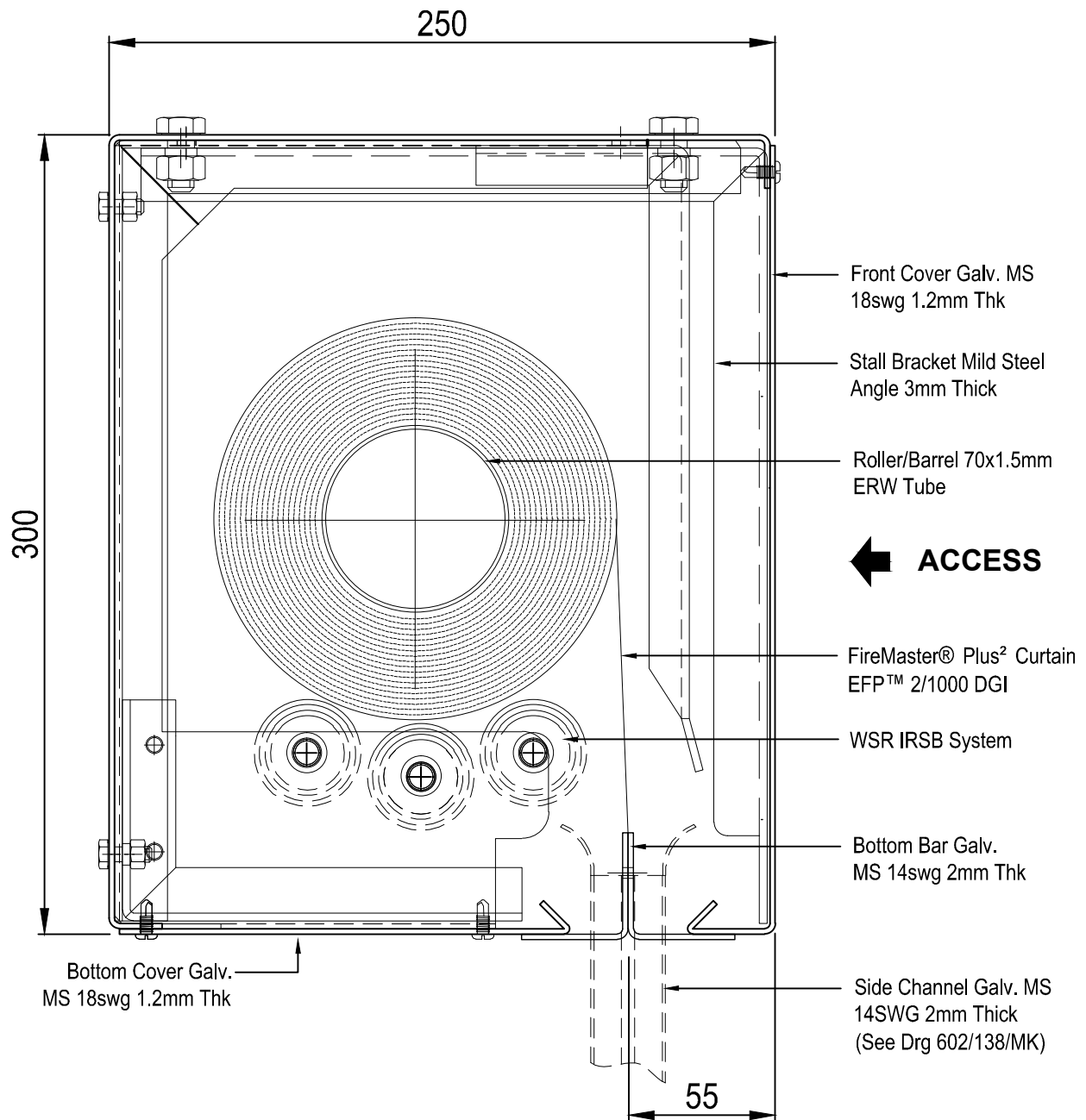
ALL HEADBOXES AVAILABLE WITH UNDERSIDE ACCESS
STANDARD SIZES SIZES GREATER THAN STATED PLEASE CONTACT COOPERS



| FABRIC TYPE | WIDTH | | DROP | | SEAM |
|-----------------|-------|-----|------|-----|------------|
| | MIN | MAX | MIN | MAX | |
| EFP™ 2/1000 DGI | 1M | 10M | 1M | 4M | Horizontal |



| FABRIC TYPE | WIDTH | | DROP | | SEAM |
|-----------------|-------|-----|------|-----|------------|
| | MIN | MAX | MIN | MAX | |
| EFP™ 2/1000 DGI | 1M | 6M | 1M | 4M | Horizontal |



| FABRIC TYPE | WIDTH | | DROP | | SEAM |
|-----------------|-------|-----|------|-----|------------|
| | MIN | MAX | MIN | MAX | |
| EFP™ 2/1000 DGI | 1M | 17M | 1M | 4M | Vertical |
| EFP™ 2/1000 DGI | 11M | 15M | 1M | 4M | Horizontal |
| EFP™ 2/1000 DGI | 1M | 17M | 1M | 6M | Horizontal |



Edward House, Penner Road,
Havant, Hampshire, PO9 1QZ, UK

Tel: +44 (0) 23 9245 4405
Fax: +44 (0) 23 9249 2732

Email: info@coopersfire.com
Web: www.coopersfire.com

DRAWN:

ML

CHECKED:

JR

APPROVED:

CJL

TITLE:

**WIDE SINGLE ROLLER - FRONT ACCESS
HEADBOX CONFIGURATION (250X300MM)**

© 1997-2016 A COOPER GROUP LIMITED
ALL RIGHTS RESERVED. THIS DESIGN MAY NOT BE
REPRODUCED IN ANY MATERIAL FORM, INCLUDING
ELECTRONICALLY WITHOUT THE WRITTEN PERMISSION
OF THE COPYRIGHT NAMES

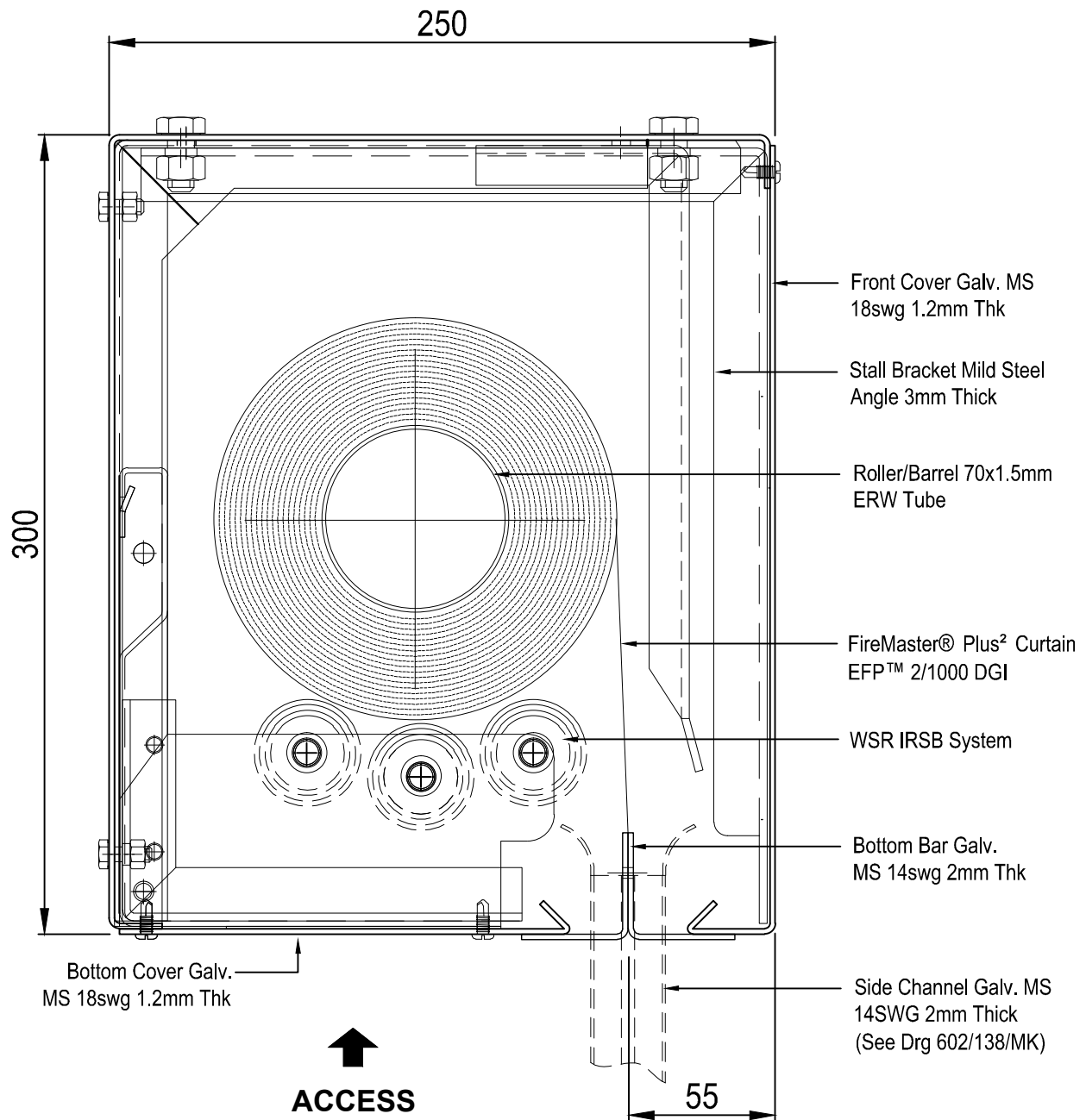
DRG. No.

602/119/MK

ALL DIMENSION IN MILLIMETERS
UNLESS OTHERWISE STATED

ISSUE: F

DATE: 29.07.2016



| FABRIC TYPE | WIDTH | | DROP | | SEAM |
|-----------------|-------|-----|------|-----|------------|
| | MIN | MAX | MIN | MAX | |
| EFP™ 2/1000 DGI | 1M | 17M | 1M | 4M | Vertical |
| EFP™ 2/1000 DGI | 11M | 15M | 1M | 4M | Horizontal |
| EFP™ 2/1000 DGI | 1M | 17M | 1M | 6M | Horizontal |


coopers
 Coopers Fire Limited

Edward House, Penner Road,
Havant, Hampshire, PO9 1QZ, UK

Tel: +44 (0) 23 9245 4405
Fax: +44 (0) 23 9249 2732

Email: info@coopersfire.com
Web: www.coopersfire.com

DRAWN:

ML

CHECKED:

JR

APPROVED:

CJL

TITLE:

**WIDE SINGLE ROLLER - BOTTOM ACCESS
HEADBOX CONFIGURATION (250X300MM)**

© 1997-2016 A COOPER GROUP LIMITED
ALL RIGHTS RESERVED. THIS DESIGN MAY NOT BE
REPRODUCED IN ANY MATERIAL FORM, INCLUDING
ELECTRONICALLY WITHOUT THE WRITTEN PERMISSION
OF THE COPYRIGHT NAMES

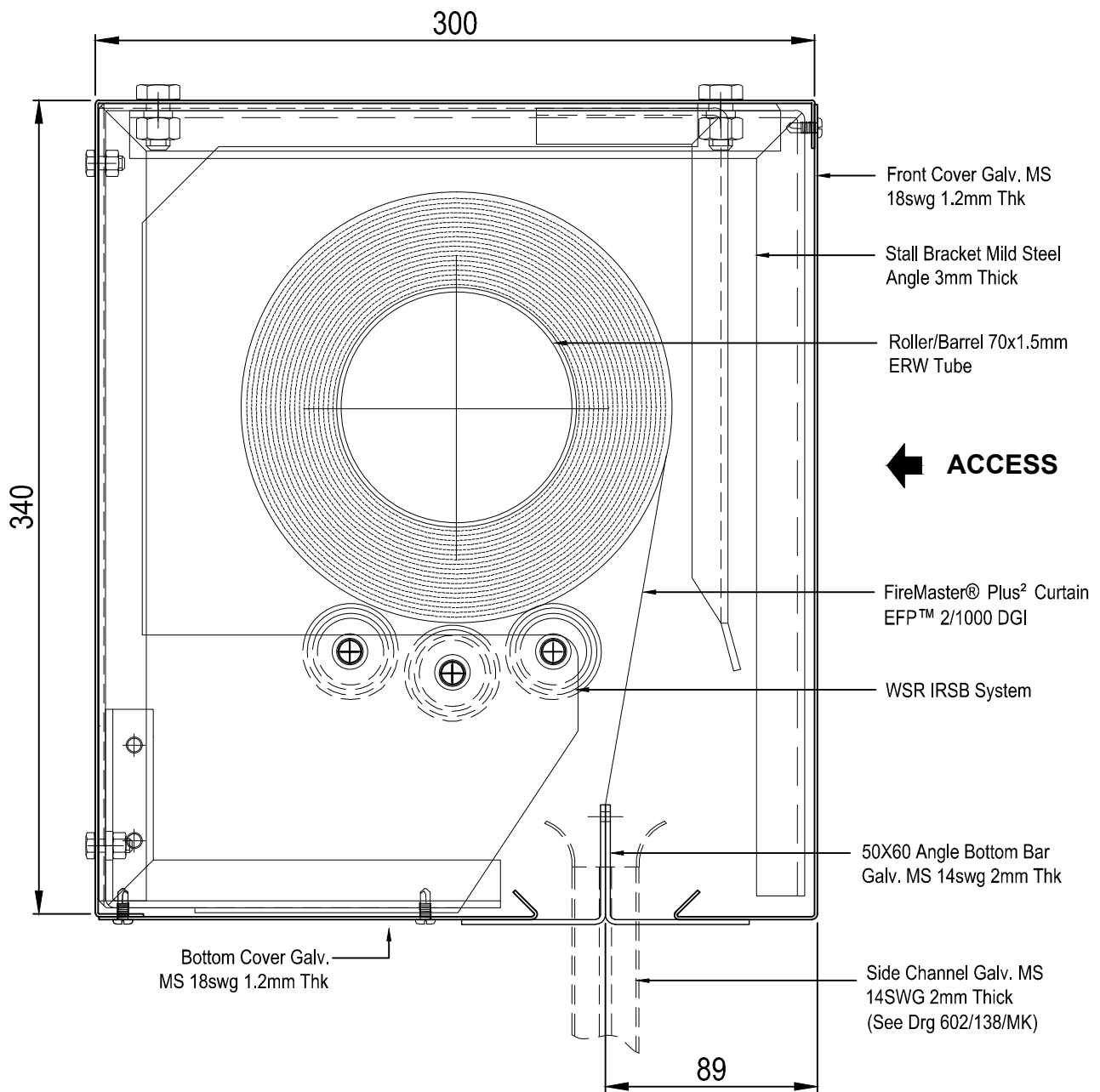
DRG. No.

602/130/MK

ALL DIMENSION IN MILLIMETERS
UNLESS OTHERWISE STATED

ISSUE: E

DATE: 29.07.2016



| FABRIC TYPE | WIDTH | | DROP | | SEAM |
|-----------------|-------|-----|------|-----|------------|
| | MIN | MAX | MIN | MAX | |
| EFP™ 2/1000 DGI | 1M | 11M | 1M | 8M | Horizontal |

Note: Over 6M drop additional assessment is required


coopers
 Coopers Fire Limited

Edward House, Penner Road,
 Havant, Hampshire, PO9 1QZ, UK

Tel: +44 (0) 23 9245 4405
 Fax: +44 (0) 23 9249 2732

Email: info@coopersfire.com
 Web: www.coopersfire.com

DRAWN:

ML

CHECKED:

JR

APPROVED:

CJL

TITLE:

**WIDE SINGLE ROLLER - FRONT ACCESS
 HEADBOX CONFIGURATION (300X340MM)**

© 1997-2016 A COOPER GROUP LIMITED
 ALL RIGHTS RESERVED. THIS DESIGN MAY NOT BE
 REPRODUCED IN ANY MATERIAL FORM, INCLUDING
 ELECTRONICALLY WITHOUT THE WRITTEN PERMISSION
 OF THE COPYRIGHT NAMES

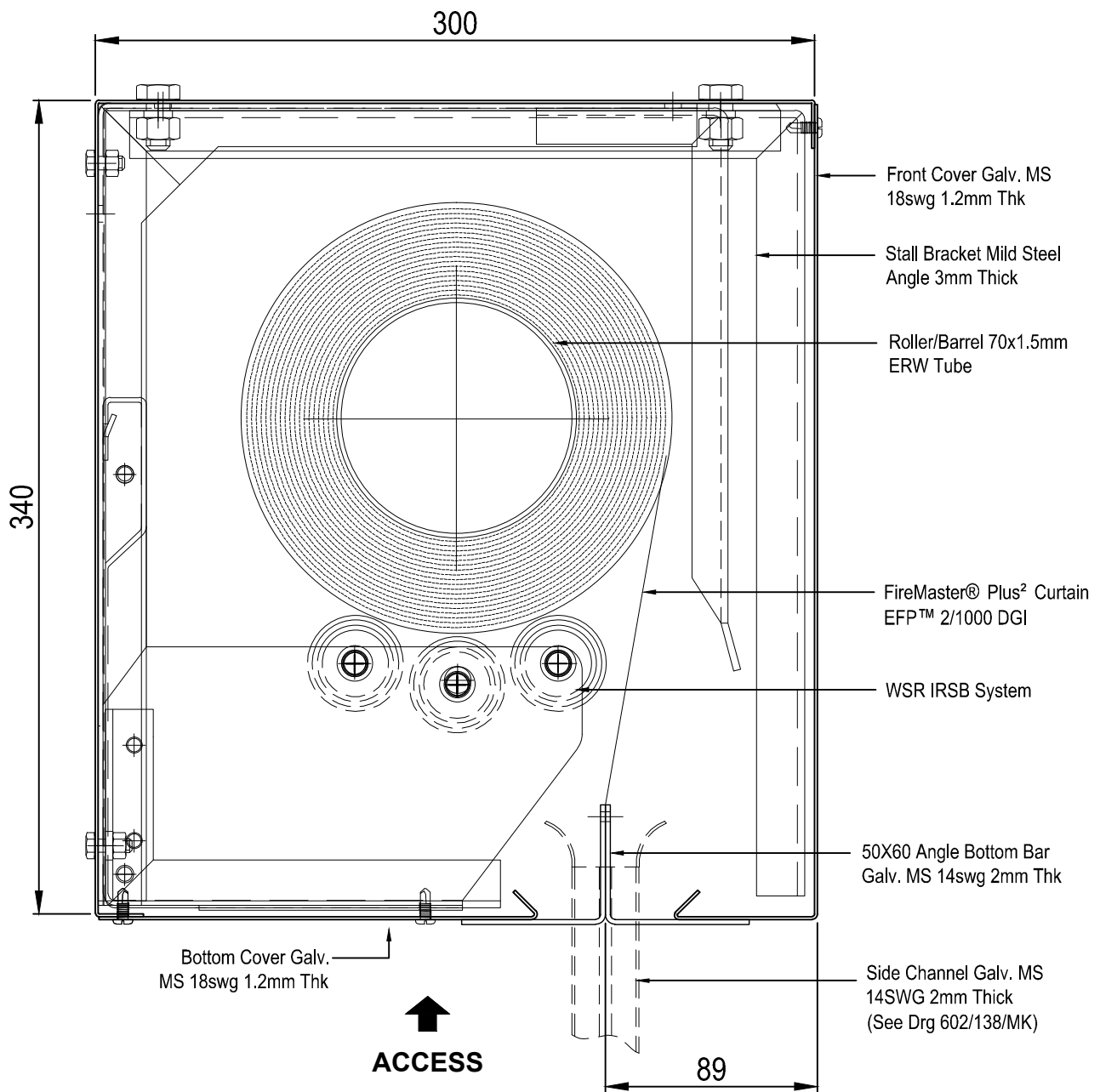
DRG. No.

602/120/MK

ALL DIMENSION IN MILLIMETERS
 UNLESS OTHERWISE STATED

ISSUE: G

DATE: 29.07.2016



| FABRIC TYPE | WIDTH | | DROP | | SEAM |
|-----------------|-------|-----|------|-----|------------|
| | MIN | MAX | MIN | MAX | |
| EFP™ 2/1000 DGI | 1M | 11M | 1M | 8M | Horizontal |

Note: Over 6M drop additional assessment is required


coopers
 Coopers Fire Limited

Edward House, Penner Road,
 Havant, Hampshire, PO9 1QZ, UK

Tel: +44 (0) 23 9245 4405
 Fax: +44 (0) 23 9249 2732

Email: info@coopersfire.com
 Web: www.coopersfire.com

DRAWN:

ML

CHECKED:

JR

APPROVED:

TITLE:

**WIDE SINGLE ROLLER - BOTTOM ACCESS
 HEADBOX CONFIGURATION (300X340MM)**

© 1997-2016 A COOPER GROUP LIMITED
 ALL RIGHTS RESERVED. THIS DESIGN MAY NOT BE
 REPRODUCED IN ANY MATERIAL FORM, INCLUDING
 ELECTRONICALLY WITHOUT THE WRITTEN PERMISSION
 OF THE COPYRIGHT NAMES

DRG. No.

602/153/MK

ALL DIMENSION IN MILLIMETERS
 UNLESS OTHERWISE STATED

ISSUE: **B**

DATE: 29.07.2016