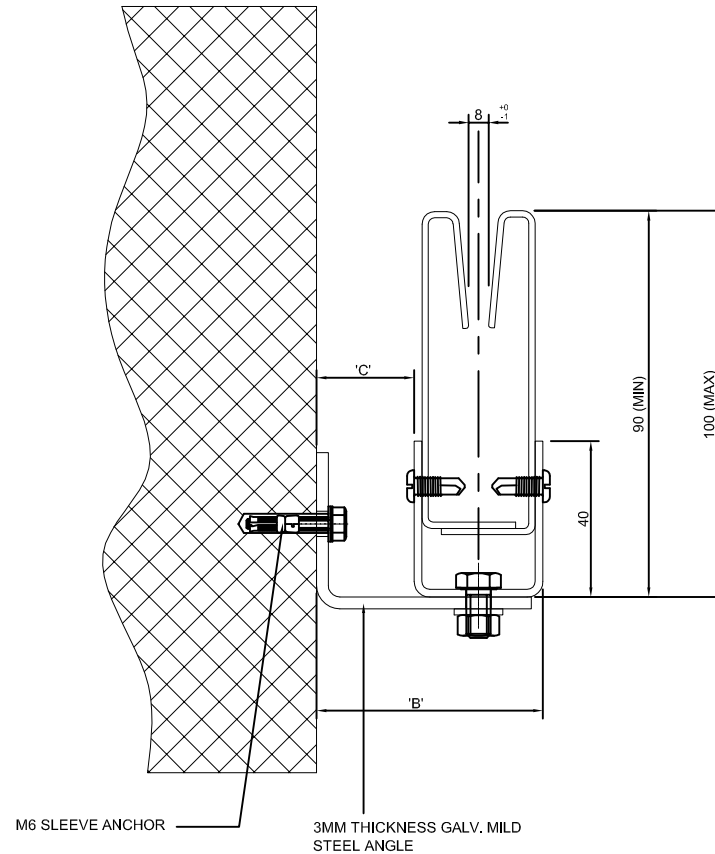
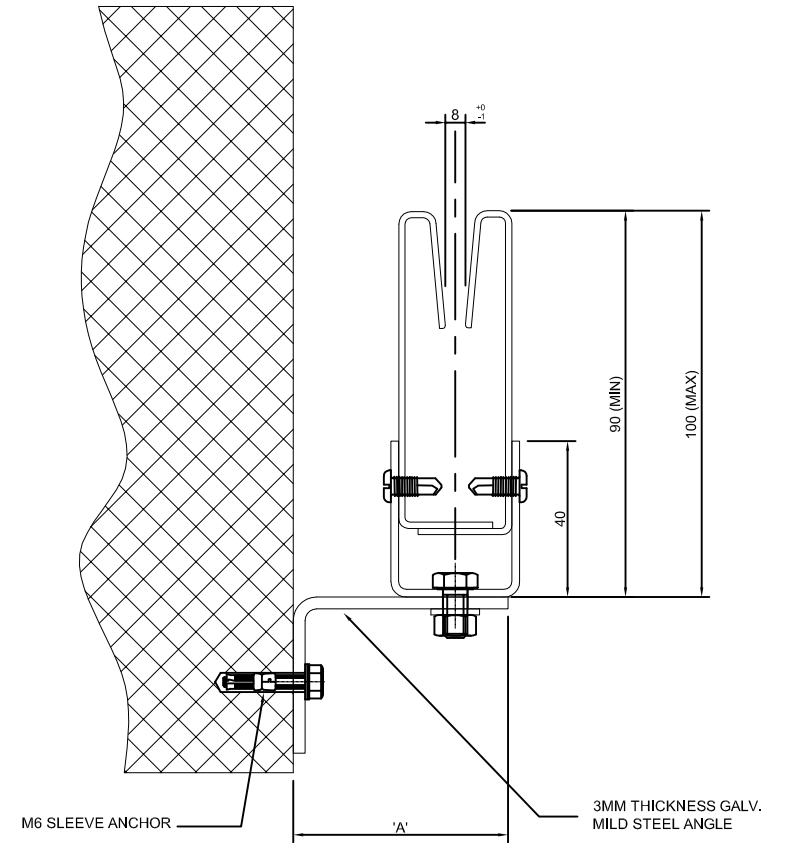


SIDE GUIDE DETAILS  
FOR FIRE CURTAIN



REVERSE MOUNTED SIDE GUIDE  
DETAILS FOR FIRE CURTAIN  
(OPTION 1)



REVERSE MOUNTED SIDE GUIDE  
DETAILS FOR FIRE CURTAIN  
(OPTION 2)



Edward House, Fenner Road,  
Havant, Hampshire, PO9 1QZ, UK

Tel: +44 (0) 23 9245 4405  
Fax: +44 (0) 23 9249 2732

Email: info@coopersfire.com  
Web: www.coopersfire.com

DRAWN: <b>ML</b>	TITLE: <b>FIREMASTER® Plus² FIRE CURTAIN SIDE GUIDE FIXING CONFIGURATION</b>	
CHECKED: <b>JR</b>	© 1997 A COOPER GROUP LIMITED ALL RIGHTS RESERVED. THIS DESIGN MAY NOT BE REPRODUCED IN ANY MATERIAL FORM, INCLUDING ELECTRONICALLY WITHOUT THE WRITTEN PERMISSION OF THE COPYRIGHT NAMES	ALL DIMENSION IN MILLIMETERS UNLESS OTHERWISE STATED
APPROVED: <b>CJL</b>	DRG. No. <b>607/022/MK</b>	ISSUE: <b>E</b> DATE: <b>24.02.2014</b>

FIXING ANGLE DIMENSION			
HEADBOX	'A'	'B'	'C'
FMP19/23	55MM	58MM	25MM
FMP24/29	72MM	75MM	42MM