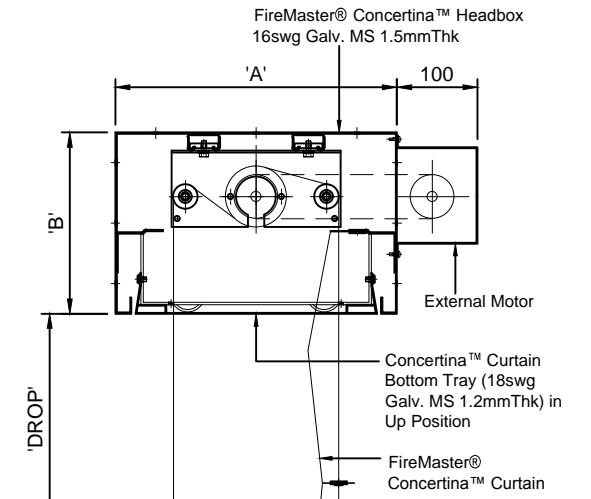
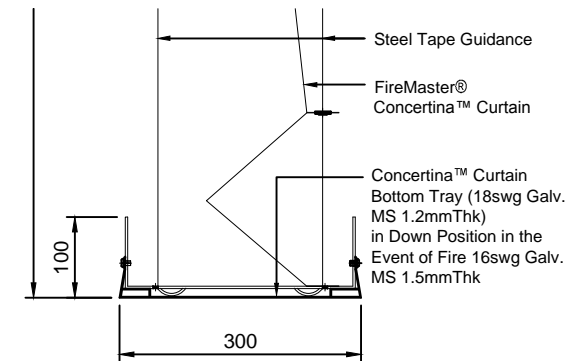


PLAN VIEW



HEADBOX DETAIL



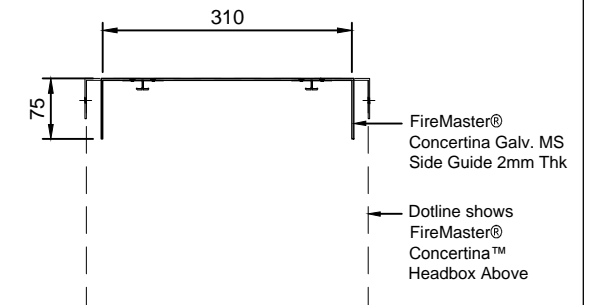
BOTTOM TRAY DETAIL
SECTION A - A

CURTAIN DIMENSION		HEADBOX SIZE	
X / Y	DROP	'A'	'B'
UNLIMITED	< 4M	350	225
UNLIMITED	> 4M < 8M	350	350

ANY SIZES OUTSIDE THOSE STATED PLEASE CONTACT COOPERS FIRE LTD

NOTE

- THIS DRAWING SHOULD BE CONSIDERED AS A GUIDE ONLY, AS SOME DETAILS HAVE BEEN OMITTED FOR CLARITY
- NUMBER OF MOTOR AND LOCATION DEPEND ON CURTAIN DIMENSION

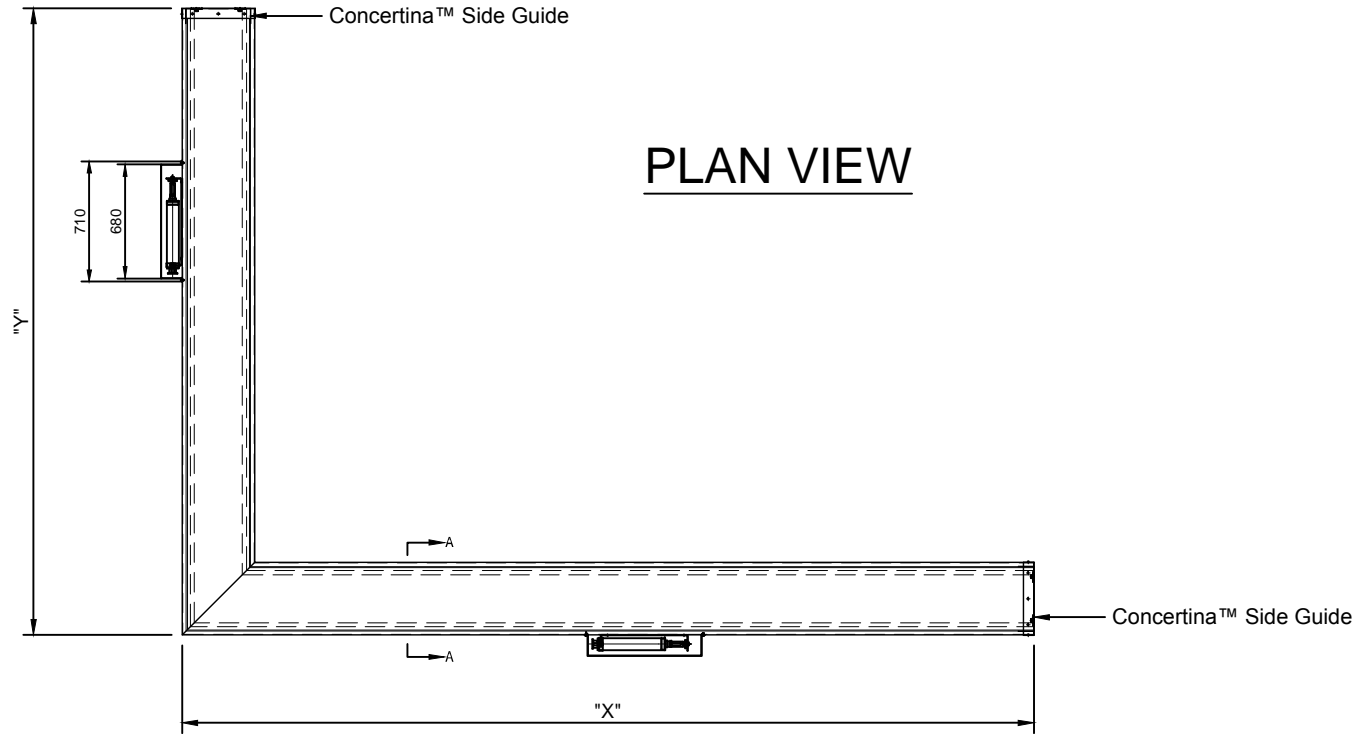


END SECTION SIDE GUIDE DETAIL

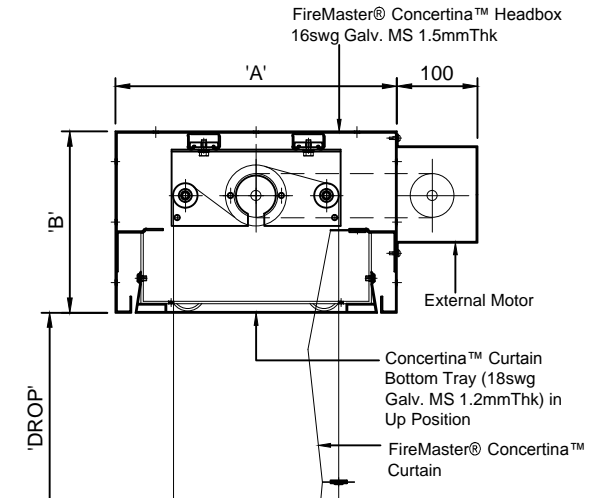


Edward House, Penner Road,
Havant, Hampshire, PO9 1QZ, UK
Tel: +44 (0) 23 9245 4405
Fax: +44 (0) 23 9249 2732
Email: info@coopersfire.com
Web: www.coopersfire.com

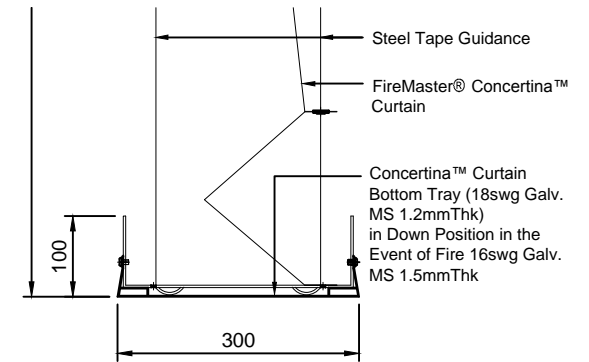
DRAWN:	ML	TITLE:	FIREMASTER® CONCERTINA™ OPEN FIRE BARRIER TYPICAL ARRANGEMENT
CHECKED:	JR	© 1997 - 2015 A COOPER GROUP LIMITED ALL RIGHTS RESERVED. THIS DESIGN MAY NOT BE REPRODUCED IN ANY MATERIAL FORM, INCLUDING ELECTRONICALLY WITHOUT THE WRITTEN PERMISSION OF THE COPYRIGHT NAMES	ALL DIMENSION IN MILLIMETERS UNLESS OTHERWISE STATED
APPROVED:	CJL	DRG. No.	604/002/MK
		ISSUE:	D
		DATE:	18.11.2015



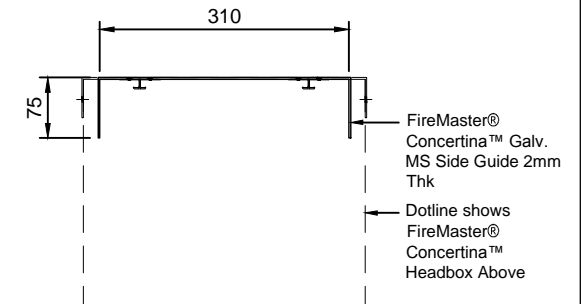
PLAN VIEW



HEADBOX DETAIL



BOTTOM TRAY DETAIL
SECTION A - A



END SECTION SIDE GUIDE DETAIL

CURTAIN DIMENSION		HEADBOX SIZE	
X / Y	DROP	'A'	'B'
UNLIMITED	< 4M	350	225
UNLIMITED	> 4M < 8M	350	350

ANY SIZES OUTSIDE THOSE STATED PLEASE CONTACT COOPERS FIRE LTD

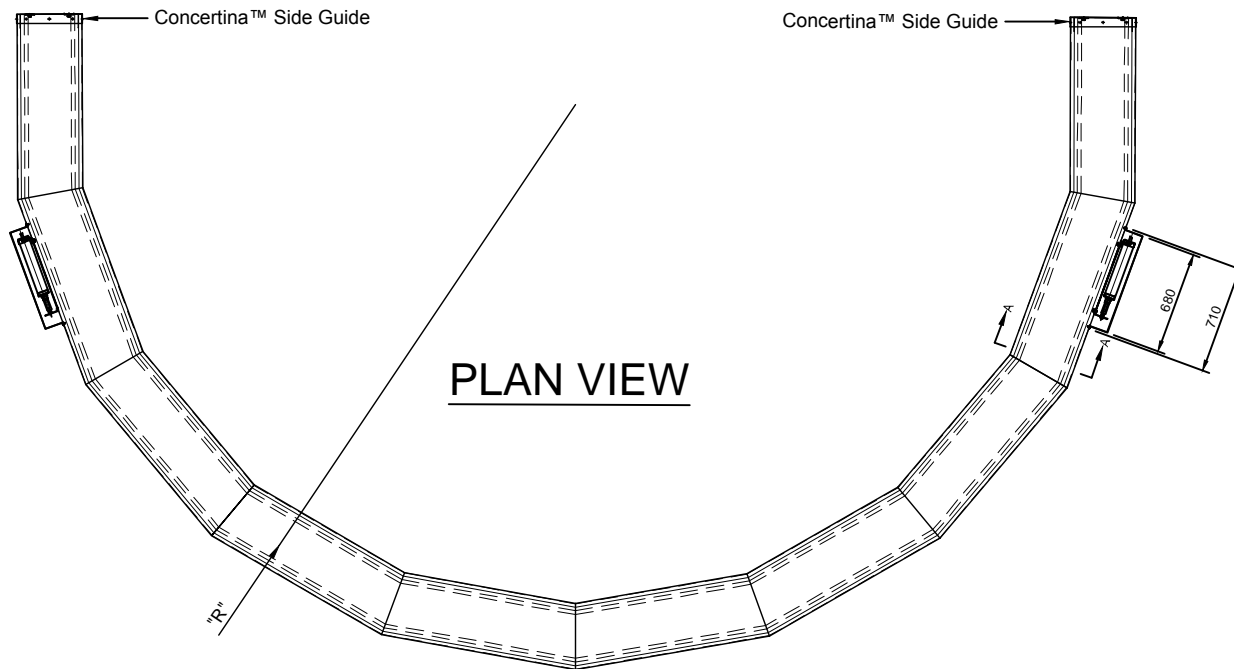
NOTE

- THIS DRAWING SHOULD BE CONSIDERED AS A GUIDE ONLY, AS SOME DETAILS HAVE BEEN OMITTED FOR CLARITY
- NUMBER OF MOTOR AND LOCATION DEPEND ON CURTAIN DIMENSION

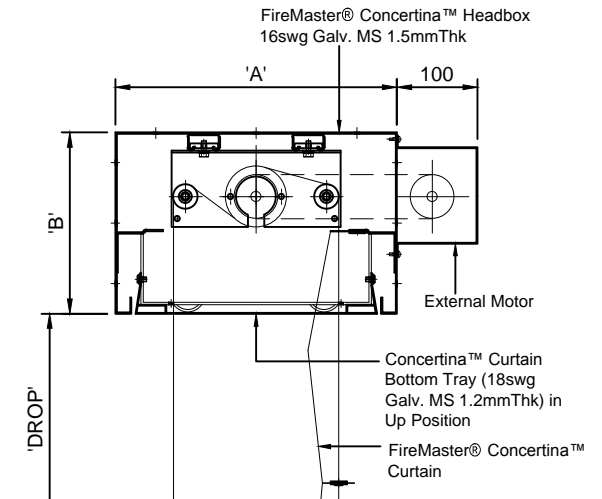


Edward House, Penner Road,
Havant, Hampshire, PO9 1QZ, UK
Tel: +44 (0) 23 9245 4405
Fax: +44 (0) 23 9249 2732
Email: info@coopersfire.com
Web: www.coopersfire.com

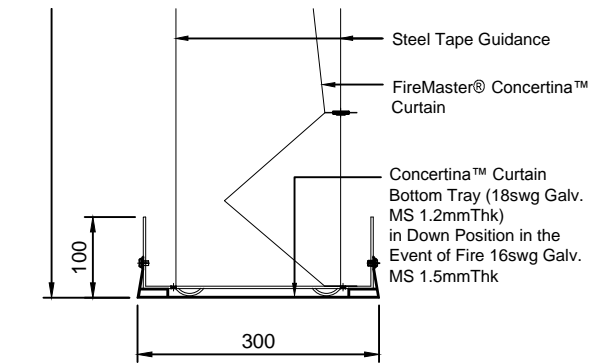
DRAWN: JR	TITLE: FIREMASTER® CONCERTINA™ "L" OPEN FIRE BARRIER TYPICAL ARRANGEMENT
CHECKED: JR	© 1997 - 2015 A COOPER GROUP LIMITED ALL RIGHTS RESERVED. THIS DESIGN MAY NOT BE REPRODUCED IN ANY MATERIAL FORM, INCLUDING ELECTRONICALLY, WITHOUT THE WRITTEN PERMISSION OF THE COPYRIGHT NAMES
APPROVED: CJL	ALL DIMENSION IN MILLIMETERS UNLESS OTHERWISE STATED
DRG. No. 604/005/MK	ISSUE: B DATE: 18.11.2015



PLAN VIEW



HEADBOX DETAIL

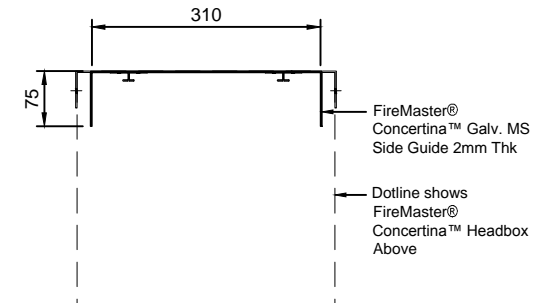


BOTTOM TRAY DETAIL SECTION A - A

CURTAIN DIMENSION		HEADBOX SIZE	
R	DROP	'A'	'B'
UNLIMITED	< 4M	350	225
UNLIMITED	> 4M < 8M	350	350

ANY SIZES OUTSIDE THOSE STATED PLEASE CONTACT COOPERS FIRE LTD

- NOTE**
- THIS DRAWING SHOULD BE CONSIDERED AS A GUIDE ONLY, AS SOME DETAILS HAVE BEEN OMITTED FOR CLARITY
 - NUMBER OF MOTOR AND LOCATION DEPEND ON CURTAIN DIMENSION



Edward House, Penner Road,
Havant, Hampshire, PO9 1QZ, UK
Tel: +44 (0) 23 9245 4405
Fax: +44 (0) 23 9249 2732
Email: info@coopersfire.com
Web: www.coopersfire.com

DRAWN: JR	TITLE: FIREMASTER® CONCERTINA™ SEMI CIRCULAR FIRE BARRIER TYPICAL ARRANGEMENT
CHECKED: JR	© 1997 - 2015 A COOPER GROUP LIMITED ALL RIGHTS RESERVED. THIS DESIGN MAY NOT BE REPRODUCED IN ANY MATERIAL FORM, INCLUDING ELECTRONICALLY WITHOUT THE WRITTEN PERMISSION OF THE COPYRIGHT NAMES
APPROVED: CJL	ALL DIMENSION IN MILLIMETERS UNLESS OTHERWISE STATED
DRG. No. 604/004/MK	ISSUE: B DATE: 18.11.2015