

## PLAN VIEW

CURTAIN DIMENSION		HEADBOX SIZE	
X / Y	DROP	'A'	'B'
UNLIMITED	< 3M	220	280

ANY SIZES OUTSIDE THOSE STATED PLEASE CONTACT COOPERS FIRE LTD

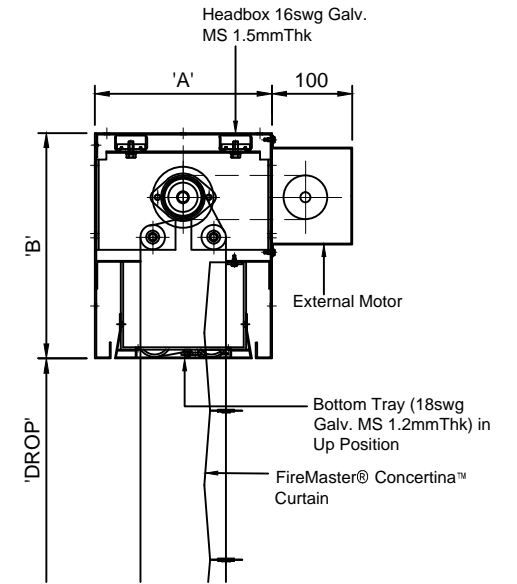
### NOTE

- THIS DRAWING SHOULD BE CONSIDERED AS A GUIDE ONLY, AS SOME DETAILS HAVE BEEN OMITTED FOR CLARITY
- NUMBER OF MOTOR AND LOCATION DEPEND ON CURTAIN DIMENSION

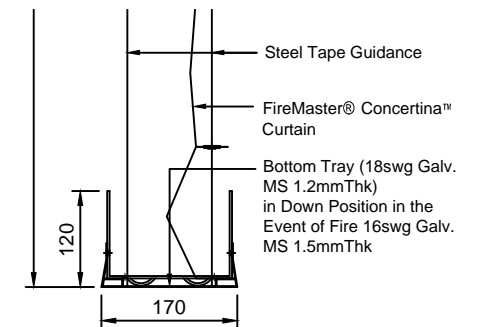
  
**coopers**  
 Coopers Fire Limited

Edward House, Penner Road,  
 Havant, Hampshire, PO9 1QZ, UK  
 Tel: +44 (0) 23 9245 4405  
 Fax: +44 (0) 23 9249 2732  
 Email: info@coopersfire.com  
 Web: www.coopersfire.com

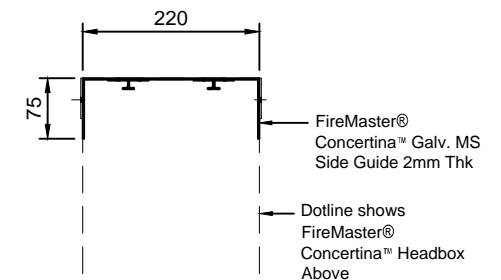
DRAWN:	JR	TITLE: FIREMASTER® COMPACT CONCERTINA™ OPEN FIRE BARRIER TYPICAL ARRANGEMENT	
CHECKED:	JR	© 1997 - 2015 A COOPER GROUP LIMITED <small>ALL RIGHTS RESERVED. THIS DESIGN MAY NOT BE REPRODUCED IN ANY MATERIAL FORM, INCLUDING ELECTRONICALLY WITHOUT THE WRITTEN PERMISSION OF THE COPYRIGHT NAMES</small>	ALL DIMENSION IN MILLIMETERS UNLESS OTHERWISE STATED
APPROVED:	CJL	DRG. No. 604/006/MK	ISSUE: B DATE: 18.11.2015



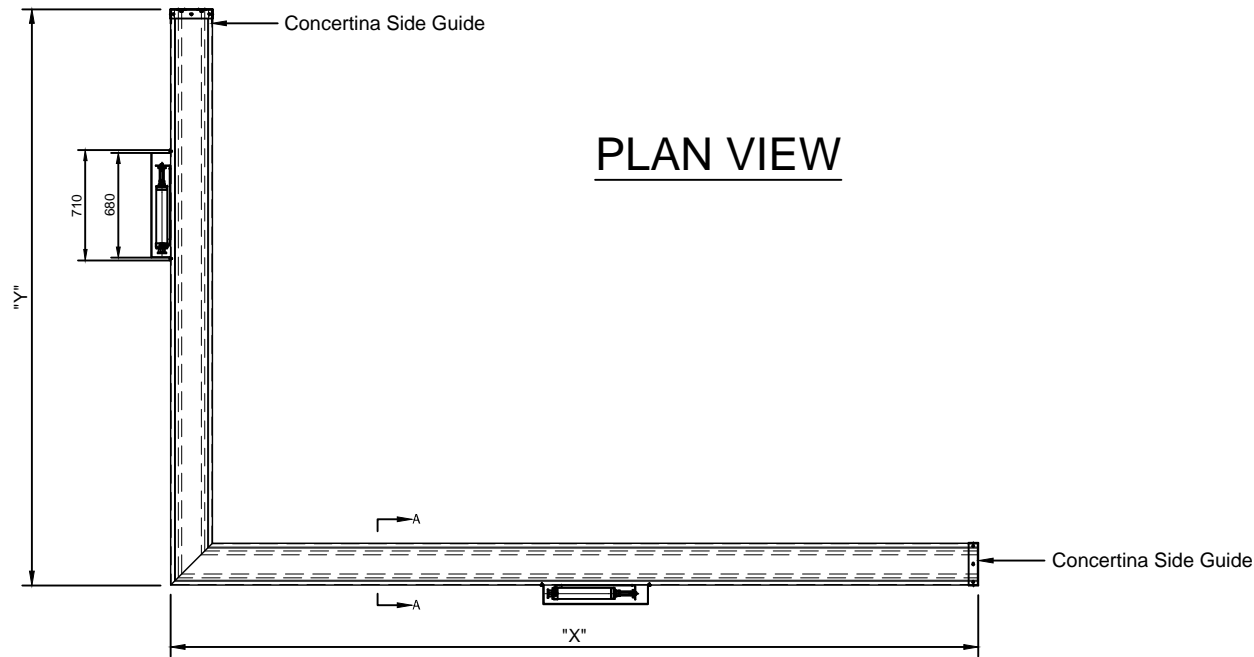
HEADBOX DETAIL



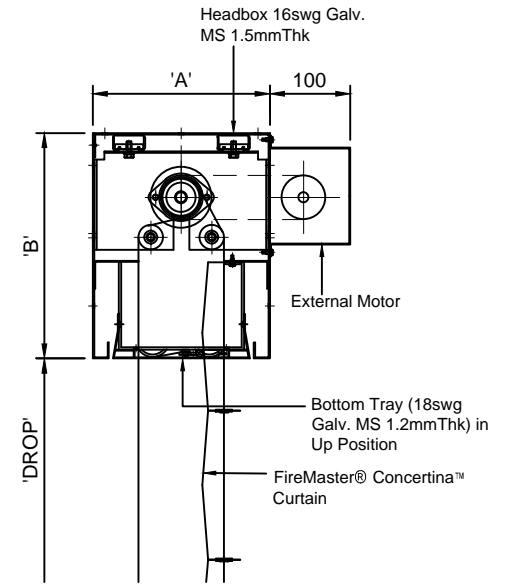
BOTTOM TRAY DETAIL  
SECTION A - A



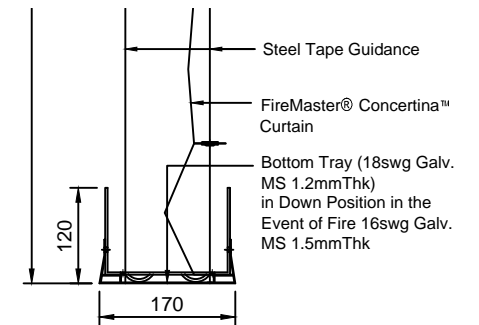
END SECTION SIDE GUIDE DETAIL



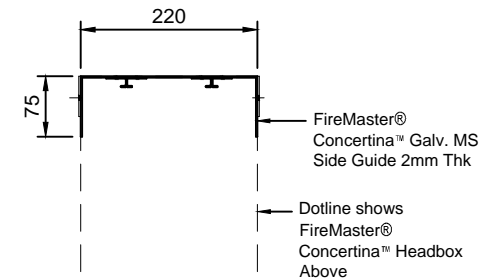
## PLAN VIEW



HEADBOX DETAIL



BOTTOM TRAY DETAIL  
SECTION A - A



END SECTION SIDE GUIDE DETAIL

CURTAIN DIMENSION		HEADBOX SIZE	
X / Y	DROP	'A'	'B'
UNLIMITED	< 3M	220	280

ANY SIZES OUTSIDE THOSE STATED PLEASE CONTACT COOPERS FIRE LTD

**NOTE**

- THIS DRAWING SHOULD BE CONSIDERED AS A GUIDE ONLY, AS SOME DETAILS HAVE BEEN OMITTED FOR CLARITY
- NUMBER OF MOTOR AND LOCATION DEPEND ON CURTAIN DIMENSION



Edward House, Penner Road,  
Havant, Hampshire, PO9 1QZ, UK  
Tel: +44 (0) 23 9245 4405  
Fax: +44 (0) 23 9249 2732  
Email: info@coopersfire.com  
Web: www.coopersfire.com

DRAWN: JR	TITLE: FIREMASTER® COMPACT "L" CONCERTINA™ OPEN FIRE BARRIER TYPICAL ARRANGEMENT		
CHECKED: JR	© 1997 - 2015 A COOPER GROUP LIMITED ALL RIGHTS RESERVED. THIS DESIGN MAY NOT BE REPRODUCED IN ANY MATERIAL FORM, INCLUDING ELECTRONICALLY WITHOUT THE WRITTEN PERMISSION OF THE COPYRIGHT NAMES	ALL DIMENSION IN MILLIMETERS UNLESS OTHERWISE STATED	
APPROVED: CJL	DRG. No. 604/008/MK	ISSUE: B	DATE: 18.11.2015