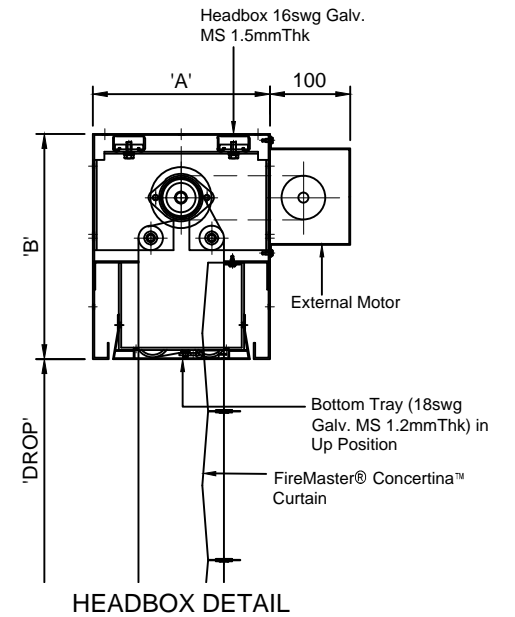
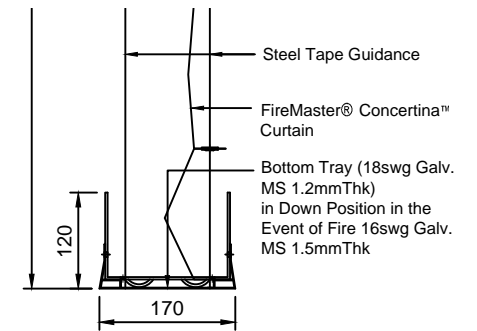


PLAN VIEW



HEADBOX DETAIL



**BOTTOM TRAY DETAIL
SECTION A - A**

CURTAIN DIMENSION		HEADBOX SIZE	
X / Y	DROP	'A'	'B'
UNLIMITED	< 3M	220	280

ANY SIZES OUTSIDE THOSE STATED PLEASE CONTACT COOPERS FIRE LTD

NOTE

1. THIS DRAWING SHOULD BE CONSIDERED AS A GUIDE ONLY, AS SOME DETAILS HAVE BEEN OMITTED FOR CLARITY
2. NUMBER OF MOTOR AND LOCATION DEPEND ON CURTAIN DIMENSION



Edward House, Penner Road,
Havant, Hampshire, PO9 1QZ, UK
Tel: +44 (0) 23 9245 4405
Fax: +44 (0) 23 9249 2732
Email: info@coopersfire.com
Web: www.coopersfire.com

DRAWN: JR	TITLE: FIREMASTER® COMPACT CONCERTINA™ CLOSED FIRE BARRIER TYPICAL ARRANGEMENT	
CHECKED: JR	© 1997 - 2015 A COOPER GROUP LIMITED ALL RIGHTS RESERVED. THIS DESIGN MAY NOT BE REPRODUCED IN ANY MATERIAL FORM, INCLUDING ELECTRONICALLY WITHOUT THE WRITTEN PERMISSION OF THE COPYRIGHT NAMES	ALL DIMENSION IN MILLIMETERS UNLESS OTHERWISE STATED
APPROVED: CJL	DRG. No. 604/007/MK	ISSUE: B DATE: 18.11.2015