

Invisible Reality

PIVOTA® DX Series
for Flush Doors



P H O E N I X

COOKE BROTHERS

|B|a|S|y|s|

Bartels Systembeschläge GmbH

Invisible Reality

Hidden from view but extremely effective
Innovative solutions from BaSys

A complete programme

With the *PIVOTA*® DX series, BaSys offers a complete programme of concealed hinges for a wide range of applications. From the very beginning, our main goal has been to provide comfortable solutions for as many fields of applications as possible to our customers engaged in door production, commercial building equipment and architectural planning. As a result, we have created a programme that consistently meets our customers' needs.

Neither the installation of stops for door weights of 40 to 300 kg nor the use of doors with high extension jambs or frames with small rebate depths poses any problem. In cases where a high level of security is required, we recommend special hinge types suitable for fire doors or burglary prevention, if desired.

Another special feature of the *PIVOTA*® DX series are the small dimensions of the hinge body with regard to mortise width and depth, together with a constantly high load capacity. Thus, the customer can fully benefit from the advantages of concealed hinges even in cases of relatively small rebate depths and frame breadths.

Even the preparation and installation offers cost-saving advantages: The width of the recessed slots always corresponds exactly to the hinge width so that cover plates are not necessary.

* Door weight per pair

System-related advantages:

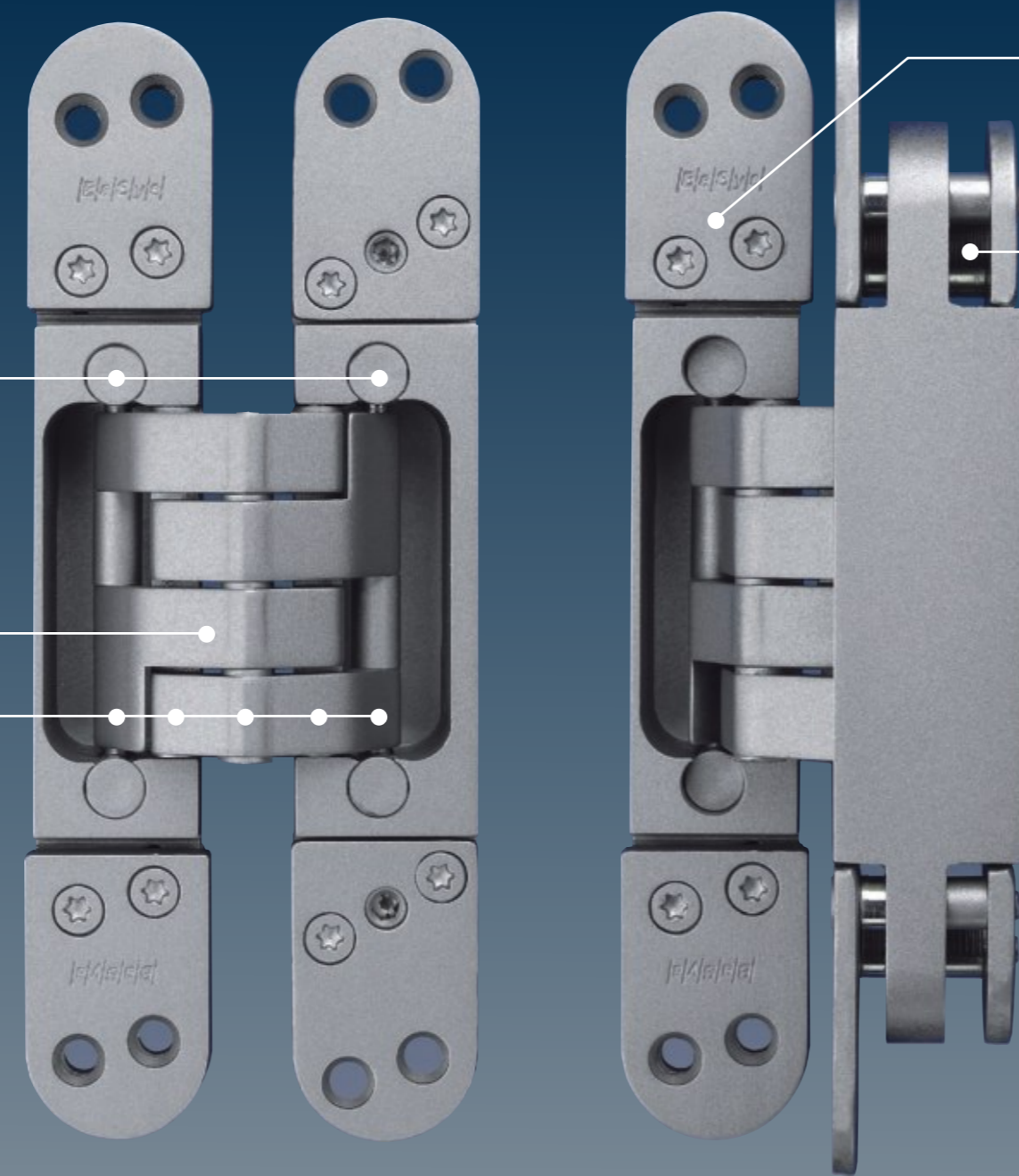
The construction principle of *PIVOTA*® DX offers advantages that are based on two essential technical features:

■ All forces acting on the kinematic guide are taken up by horizontally located axes. This kind of piston guide or surface guide ensures the highest possible level of functional security.

■ The four knuckle joint forms a mesh-like network that prevents the joint from twisting or tilting even under high stress.

■ In conjunction with the piston guide, the five-axis joint is designed for long-term, maintenance-free operation.

■ All our products are made of high-quality materials such as solid steel or aluminium. Standard finishes: velour-nickel plated, stainless steel coloured, aluminium coloured. Galvanic finishes on request.



■ *PIVOTA*® DX are 3-dimensionally adjustable. Clamping plates with tothing enable load-independent adjustment of the door height and the lateral closing pressure against the seal. The rebate clearance can be adjusted by means of adjusting spindles in the door part.

■ The *PIVOTA*® DX 125 IHA and 180 IHA type are additionally equipped with an integrated height adjustment mechanism in the frame part. The models *PIVOTA*® DX 60 / DX 61 / DX 62 as well as DX 100 / DX 101 / DX 102 are available on request with integrated height adjustment IHA – suitable for the same cut-out as the models with conventional adjustment means.

■ All adjustments only affect the positioning of the door. The joint mechanics of the hinges remains completely unstressed – another quality feature ensuring highest precision for daily, continuous operation.

■ The correspondingly labelled hinges are suitable for fire doors.



■ Specific hinges can be optionally equipped with anti-burglary protection (RC 2).



Door closed:
Completely invisible from the outside, the hinge is attached to the frame and the door.



Door open 90°:
As a result of the motion sequence, the back door edge is slightly lifted off from the frame edge.

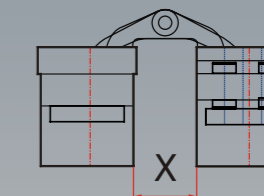
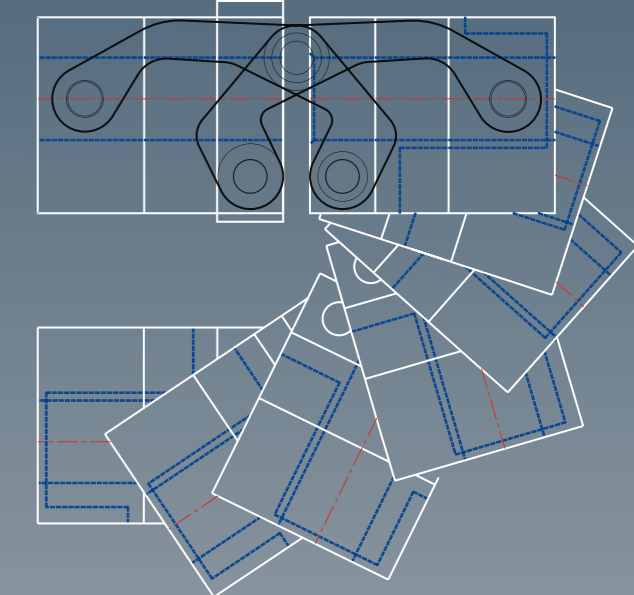


Door open 180°:
The fully open position allows free passage without any restriction.

The fascination of kinematics

The motion sequence of *PIVOTA*® DX almost looks like an artwork.

In reality, it is an ingenious system of controlled and specified movement resulting from forces applied when a door is opened and closed.



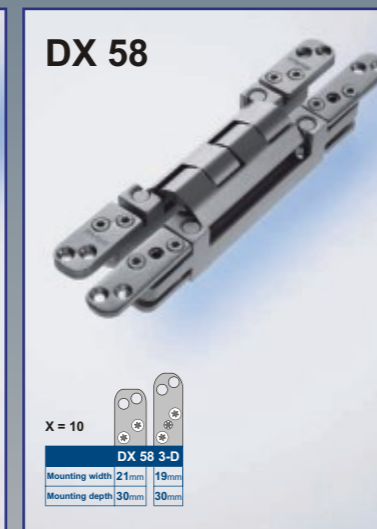
"X" is the distance between the upper clamping plates of the door and the frame part when the hinge is in the zero position.



PIVOTA® DX 38 3-D
Standard load: Door weight 40 kg*
Innovative technology even for lighter doors.



PIVOTA® DX 40 3-D
Standard load: Door weight 40 kg*
Most suitable for door stops with small rabbet depths.



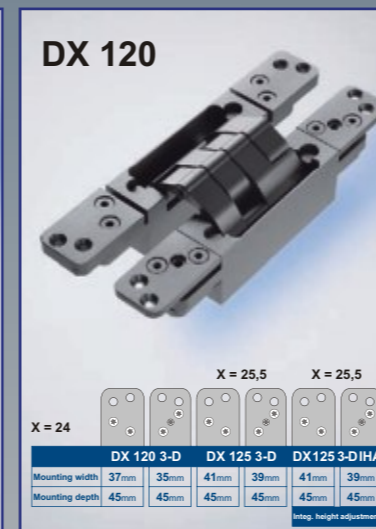
PIVOTA® DX 58 3-D
Standard load: Door weight 58 kg*
For door stops with small rabbet depths and higher load requirements.



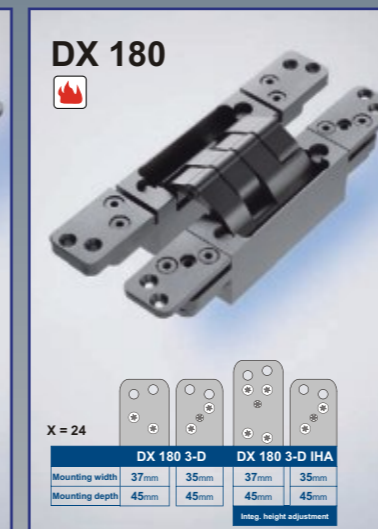
PIVOTA® DX 60 / DX 61 / DX 62 3-D
Standard load: Door weight 60 kg*
Different mounting widths for custom applications.
DX 61 and DX 62 with screen in the frame part.



PIVOTA® DX 100 / DX 101 / DX 102 3-D
Standard load: Door weight 100 kg*
DX 101 optionally available with burglary protection (RC 2).
DX 101 and DX 102 with screen in the frame part.



PIVOTA® DX 120 / DX 125 / DX 125 IHA 3-D
Standard load: Door weight 120 kg*
Suitable for doors with high extension jambs. DX 125 IHA with integrated spindle height adjustment also in the frame part.



PIVOTA® DX 180 / DX 180 IHA 3-D
Standard load: Door weight 180 kg*
Suitable for fire doors and doors with high extension jambs. DX 180 IHA with integrated spindle height adjustment also in the frame part.



PIVOTA® DX 200 3-D
Standard load: door weight 200 kg*
Most suitable for heavy doors and fire rated doors.
Optionally available with burglary protection (RC 2).



PIVOTA® DX 300 3-D
Standard load: door weight 300 kg*
Most suitable for heavy-duty doors and fire rated doors.
Optionally available with burglary protection (RC 2).

Lived Reality in a Sophisticated Ambiance

Whenever planning the renovation or new construction of a building, the question arises, how to combine functionality and room aesthetics with reasonable prices and realistic feasibility.

This relates not only to the integrated overall concept but also to the smallest part of the whole.

In many commercial buildings, BaSys products ensure the smooth, safe and maintenance-free opening and closing of doors.

Here are some examples:

Reference project
BMW Headquarters, Munich

Not only among architects, the BMW Tower in Munich is often mentioned as one of the most notable examples of modern architecture. More than 30 years after its completion, the entire interior was completely renovated. As an "invisible" detail, BaSys *PIVOTA*® DX 180 took part in this project.

Architects of the renovation:
Architekten-Büro ASP, Hamburg

Doors and Interior Design:
Lindner AG, Arnstorf

Picture:
Reprint approved by BMW AG



Reference project
KULM Hotel, St. Moritz, Switzerland

Both in summer and winter, international guests enjoy the comfortable atmosphere of the 5 stars hotel.

The heavy doors in conference rooms and guest rooms are equipped with *PIVOTA*® DX 300 made by BaSys.

Processor:
Malloth Holzbau AG, St. Moritz, Switzerland



Reference project:
RAIFFEISEN Bank, Graubünden,
Switzerland

Integrity, reliability and security are only
some of the quality features of a renowned
bank.

PIVOTA® DX 180 made by BaSys are also
both reliable and secure.

Architect:
Adrian Christen, Chur, Switzerland

Supplier:
etm Elsasser Türen Management,
Murgenthal, Switzerland

Doors and Interior Design:
Joinery – Interior Design Riederer,
Valens, Switzerland



Accessories

For the installation of the hinges in casing
frames or closed frames, a number of safety
plates are available.

To achieve highest stability, the safety
plates are perfectly adapted to the individual
customer's frame.

In combination with steel frames, hinge
receivers can be inserted into the frame.



Northgate, Aldridge, Walsall,
West Midlands, WS9 8TL

Phone: 01922 740011
Fax: 01922 740003
Email: sales@cookebrothers.co.uk
www.cookebrothers.co.uk


P H O E N I X
C O O K E B R O T H E R S

BaSys
Bartels Systembeschläge GmbH