

connection.uk.com

connection
space that works



Dixi

designed by Ratio Design Associates

Product Guide





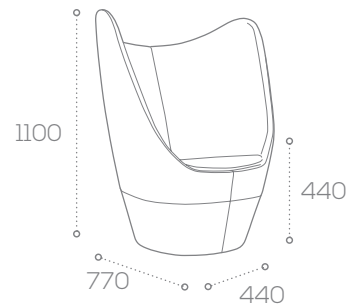
Dixi

The perfect seat for quiet contemplation. Dixi's high back design provides a reduced noise environment.



Specification.

- Cold cured moulded foam
- Steel and wood subframe
- Fixed base with glides or swivel base models.
- Available with dual upholstery



Weight: 33kg (fixed base)
48kg (swivel base)



Dixi taking the environmental impact seriously

In everything we do, our aim is to ensure we act ethically and responsibly by adopting a high level of Corporate Social Responsibility. This is embedded in all our practices to the benefit of our customers, employees, suppliers and the communities within which we operate.

Throughout all Connection's processes, we consider their impact upon the environment, from the initial design of the product, through its manufacture and delivery, right up to its disposal when it has reached the end of its useful life.

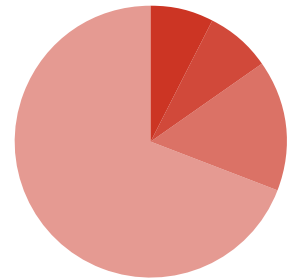
Dixi SDX1

Composition Dixi fixed base tub chair

- 12% Recycled Content
- 31% Recyclability
- 104.8kg CO²e Carbon Footprint



- 7.7% Plywood
- 7.8% Fabric
- 15.5% Steel
- 69.1% Polyurethane foam



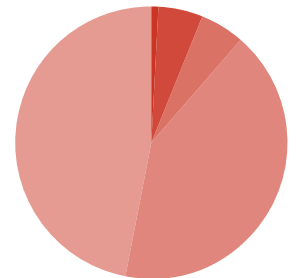
Dixi SDX2

Composition Dixi swivel base tub chair

- 17% Recycled Content
- 53% Recyclability
- 132.1kg CO²e Carbon Footprint



- 0.3% Aluminium
- 5.2% Plywood
- 5.3% Fabric
- 41.9% Steel
- 47.2% Polyurethane foam



*Combustion modified foam



A large, stylized, dark grey 'C' logo is centered on the page. It consists of a thick outer ring and a smaller inner circle, both with rounded ends, creating a sense of movement and connection.

Head Office
Dogley Mills
Penistone Road
Fenay Bridge
Huddersfield
West Yorkshire
HD8 0LE

Tel: 01484 600 100
sales@connection.uk.com

London Showroom
32/33 Dallington Street
Clerkenwell
London
EC1V 0BB

Tel: 020 7253 9877
www.connection.uk.com

connection
space that works