

# Cubbi

Designed by Roger Webb Associates

Product Guide

# Cubbi

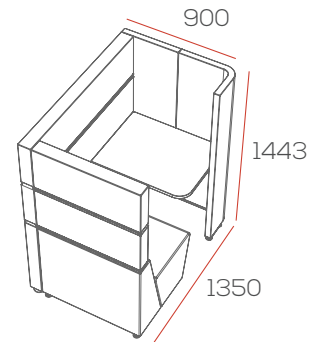
Designed to wrap around those who need **short, focused periods of concentration** or a day of intensive work.



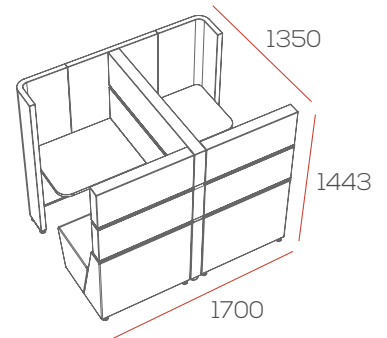
Cubbi bench is for short bouts of work and can be utilised as a phone or video conference booth.

Example configurations

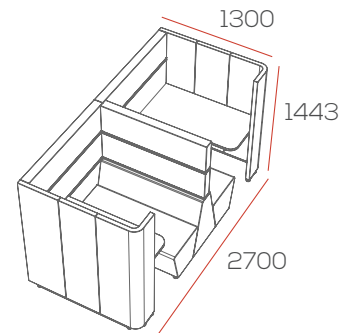
Single right-hand 800 with Bench  
SCE1B4



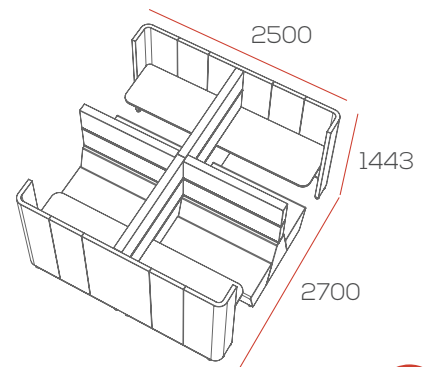
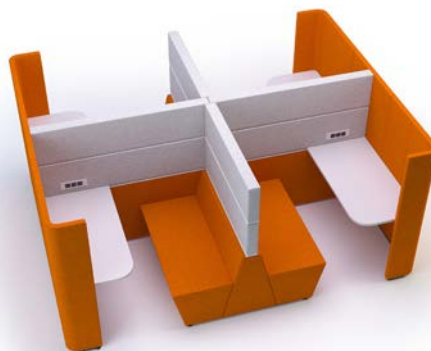
Double 800 Side-by-Side with Bench  
SCE1B2



Double 1200 Back-to-Back with Bench  
SCE2B3



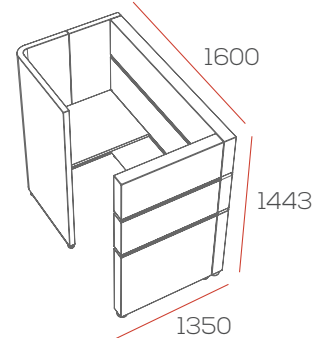
Quad 1200 with Bench  
SCE2B5



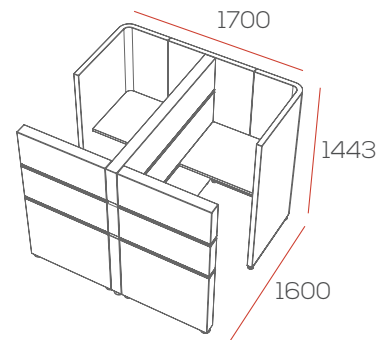
Cubbi **task** is somewhere to retreat for longer periods of **intensive concentration**.

Example configurations

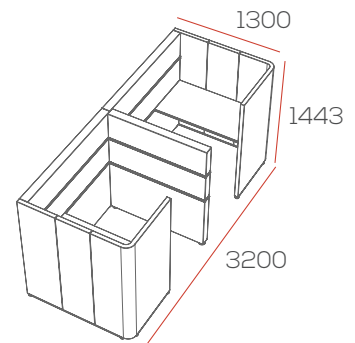
Single left-hand 800 Task  
SCE1A1



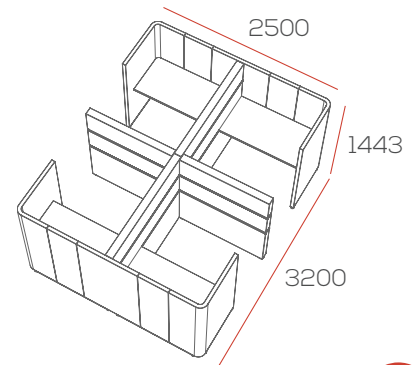
Double 800 Side-by-Side Task  
SCE1A2



Double 1200 Back-to-Back Task  
SCE2A3



Quad 1200 Task  
SCE2A5





## Cubbi environmental piece of mind

In everything we do, our aim is to ensure we act ethically and responsibly by adopting a high level of Corporate Social Responsibility. This is embedded in all our practices to the benefit of our customers, employees, suppliers and the communities within which we operate.

Connection are committed to minimising the environmental impact of our operations and ensure our products are as sustainable as we can make them.

Throughout all Connection's processes, we consider their impact upon the environment, from the initial design of the product, through its manufacture and delivery, right up to its disposal when it has reached the end of its useful life.

Cubbi's durable design characteristics ensure a long lifespan of the product and a chair that will satisfy your ethical concerns for the environment.

In 2012 Connection gained full membership to FISP (Furniture Industry Sustainability Programme) to further demonstrate our commitment to measuring and improving environmental impacts.

FISP accreditation shows that we continually strive to improve our processes, taking every opportunity to reduce, reuse and recycle throughout the lifecycle of the product.

A large, stylized, dark grey 'C' logo is centered on the page. It consists of a thick outer ring and a smaller inner circle, both with rounded ends, creating a sense of movement and connection.

**Head Office**  
Dogley Mills  
Penistone Road  
Fenay Bridge  
Huddersfield  
West Yorkshire  
HD8 0LE

Tel: 01484 600 100  
[sales@connection.uk.com](mailto:sales@connection.uk.com)

**London Showroom**  
32/33 Dallington Street  
Clerkenwell  
London  
EC1V 0BB

Tel: 020 7253 9877  
[www.connection.uk.com](http://www.connection.uk.com)