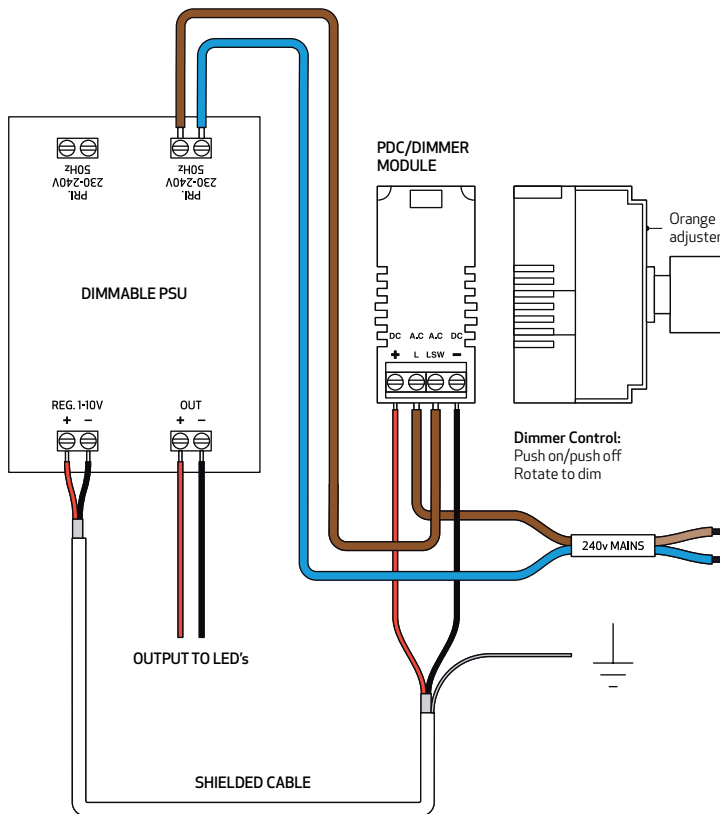


# PDC DIMMER MODULE/GRID

## WIRING INSTRUCTIONS



COLLINGWOOD  
LIGHTING LTD



### PDC Dimmer Module adjustment

The minimum brightness can be adjusted as follows:

NB: If adjustment is required, it must be done before installation step 5 below.

1. Turn the dimmer knob fully anti-clockwise.
2. Locate the orange adjuster in the slot in the front of the module.
3. Using a suitable screwdriver, turn the adjuster fully anti-clockwise. This setting gives minimum brightness and is the maximum range setting of the unit.
4. If a different minimum brightness is desired, slowly turn the adjuster clockwise and the lights will brighten.
5. Turning the adjuster fully clockwise is the minimum range setting of the unit.
6. Any setting between the minimum and maximum can be selected.

### Assembly Diagrams

We recommend that the installation of these products should only be carried out by a qualified electrician.

- |             |             |        |               |
|-------------|-------------|--------|---------------|
| a. DETA     | b. GET      | c. BG  | d. Wandsworth |
| e. MK Logic | f. Hamilton | g. MEM | h. Crabtree   |

### Installation Instructions

1. Turn off mains at distribution board.
2. Wire device as in wiring diagram.
3. Do not over tighten screws.
4. Check polarity is correct throughout.
5. Fit appropriate adaptor as in assembly diagrams.
6. Fit device into wall box ensuring cables are not obstructed.
7. Secure front plate.

