

Product Description

An IP65 rated LED bulkhead exit sign with a tough polycarbonate base and clear fresnel lens. Specifically designed for escape route lighting and suitable for surface mounting or can be supplied with a semi-recessed bezel if required.

Protected with a tough powder coated finish and polycarbonate impact resistant UV stabilised opal lumax diffuser. Supplied with stainless steel hex screws and long lasting silicone rubber gasket.

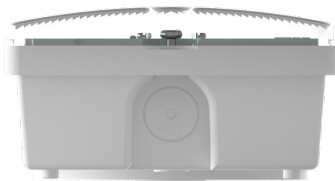
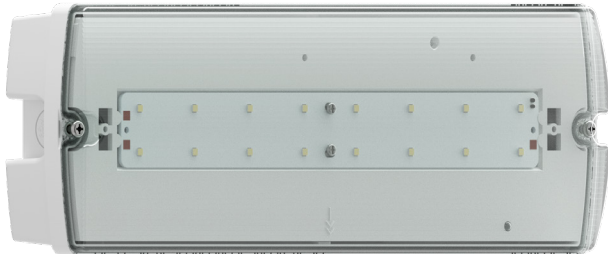
Features

- IP65 rating
- Surface mount or semi-recessed
- Easy access hinged gear tray
- 16 high output white LEDs
- Constant current maintained drive circuit

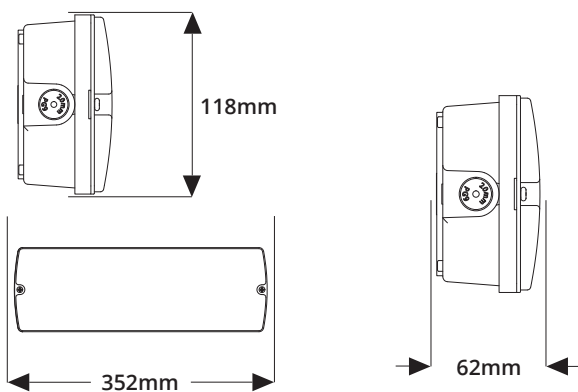
Order Codes - Hurricane

Options	Description
/DA3	DALI Addressable emergency
/M3	Maintained Emergency
/NM3	Non-Maintained Emergency
/230	Mains Only

Order example: PRODUCT NAME/MF/8W/3K/BK



Technical Drawings



Technical Specification

Supply Voltage	230-240V AC 50/60Hz
Light Source	16 x LEDs (CRI.80>)
Lumens	150lm
Ambient Temperature	0°C +35°C
Life Time	3 hours emergency duration
Colour Temperature	4500k



Please note: Specification values may change due to rapid development of lighting technology. All performance data is taken at an ambient temperature of +25°C. Data may be rounded up/down for illustrative purposes. Tolerance range of optical and electrical data is +/-10%. We reserve the right to amend or change details without prior notification. E&OE.