

CP WBB1 Height Adjustable Wash Hand Basin

Electric, Lever Control, Vertical

CP WBB 1

The lever control is mounted at the end of a fixed rail which can provide support and function as a towel rail. The wash basin can be moved up and down by means of the lever alone. 300 mm stepless height adjustment. Suggested waste system is R2071. The wash basin bracket is primarily made of 10-micrometre anodized aluminium. The ends of the bracket cover are capped with ABS polymer. The bracket is available with a lever control consisting of an ABS polymer switch at the end of an anodized aluminium arm. Maximum load: 100 kg, including wash basin.

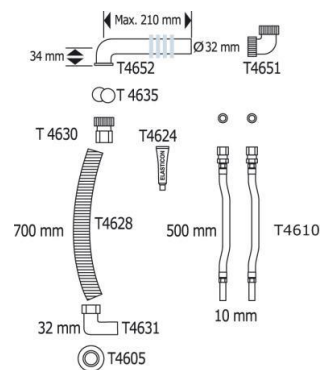
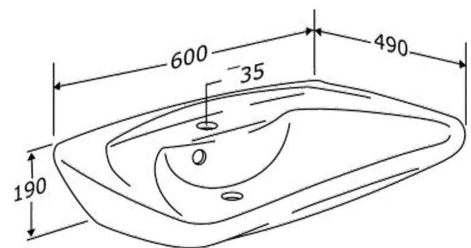
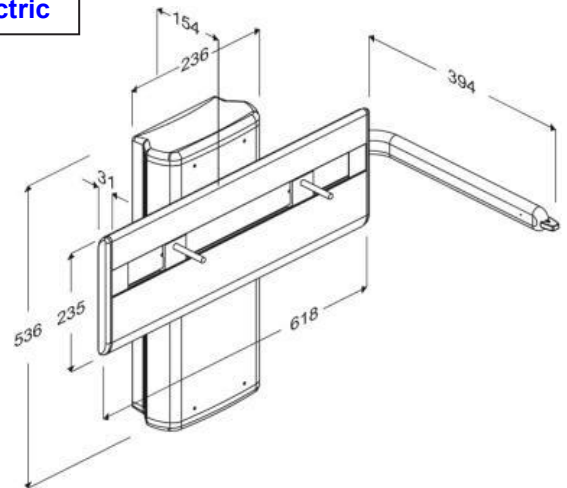
Basin with overflow

The concave front edge stabilises a standing as well as a seated user. The rounded shapes are nice to grip and lean against. The design of the corners leaves space and supports the elbows in the basin and the flat bottom leaves space for the legs of a seated user. Ceramic

Flexible feed and waste system *will suit most situations*

Flexible feed/waste system for the UK.
Feed pipes: 500 mm, waste pipe: 700 mm.
Feed pipe, metal braid, with 1/2" coupling.
Flexible waste pipe, dia. 32 mm.

Electric



TMV3 Thermostatic Sequential lever Mixer tap

A TMV3 tap featuring anti scald technology, a safe touch body and a self draining spout. With copper inlet tails. Without drain fitting. WRAS approved

