

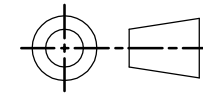
DRG.No. 660-202

USED ON

-

DUCT RISE TO TOP OF PLINTH (230VAC MAIN SWA CABLE)
ENSURE CABLE LEFT 1,5M FREE LENGTH BY OTHERS 2 POSITIONS

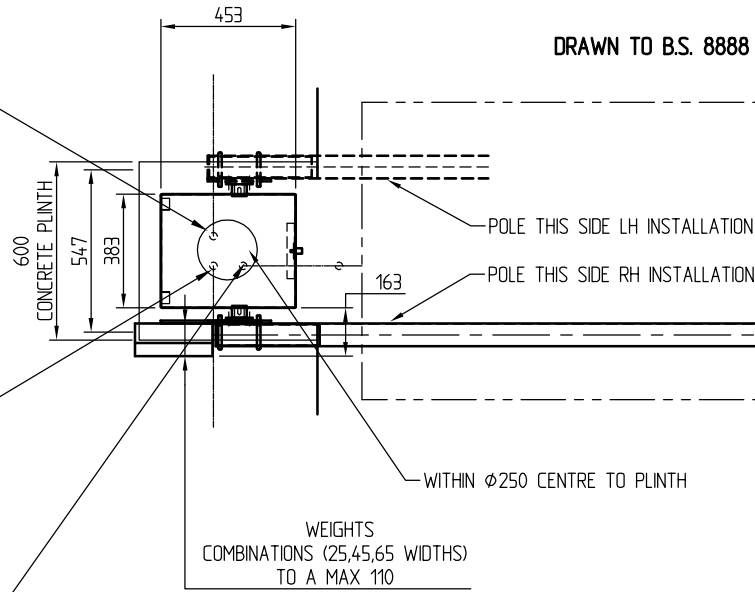
DRAWN TO B.S. 8888



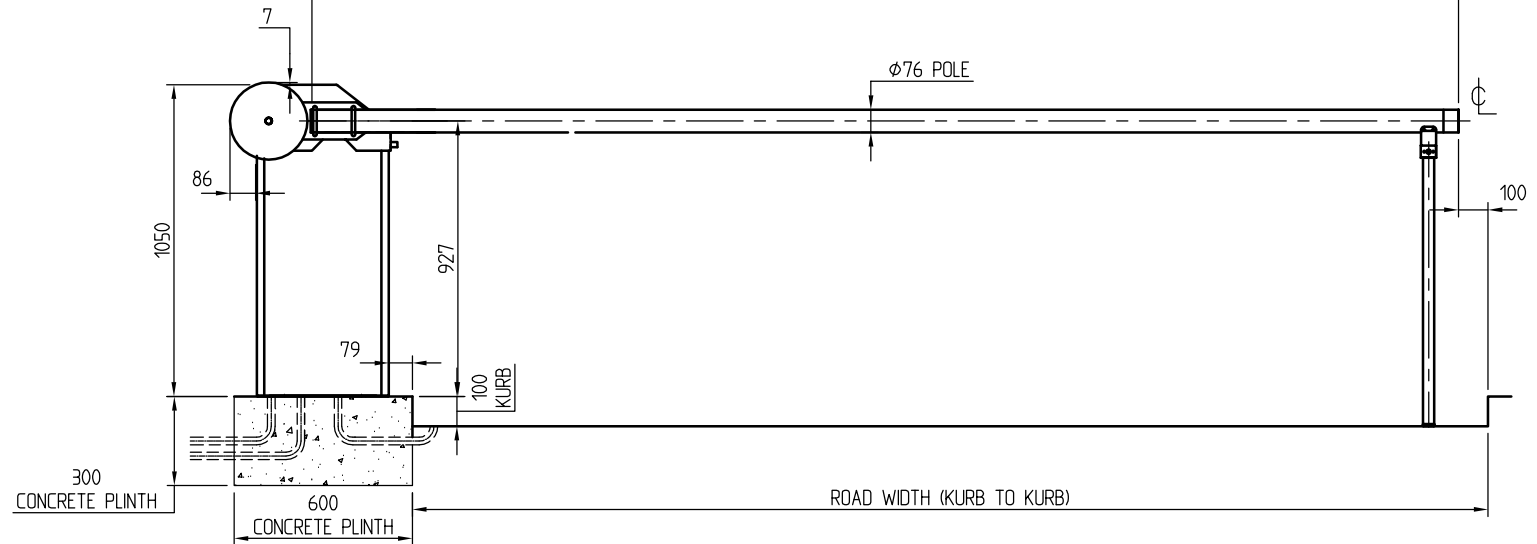
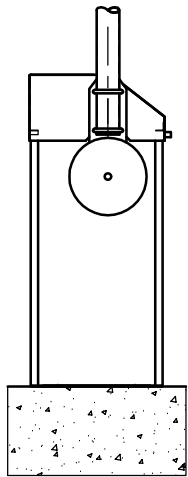
THIRD ANGLE PROJECTION

DUCT RISE TO TOP OF PLINTH FROM BARRIER CONTROL STATION FOR CONTROL SIGNAL $\phi 25$ BY OTHERS

DUCT FOR GROUND LOOP FROM PLINTH THROUGH KERB $\phi 25$ BY OTHERS



POLE LENGTH=ROAD WIDTH PLUS 240mm (APPROX)



PROTECTIVE FINISH

MATERIAL

Clarke Instruments Ltd.

TOLERANCES FOR DIMENSIONS

STORES REF.

DIMS. SHOWN THUS >449 ± 1
DIMS. SHOWN THUS 1 ± 0.4
DIMS. SHOWN THUS 10 ± 0.15
DIMS. SHOWN THUS 100 ± 0.05
UNLESS OTHERWISE STATED
ALL DIMENSIONS IN MILLIMETRES

TITLE

DRG.No.

A3

660 BARRIER 5m POLE SIDE MOUNTED WITH POGO STICK

660-202

DRAWN MKEADY CHECKED CERTD. SCALE N.T.S